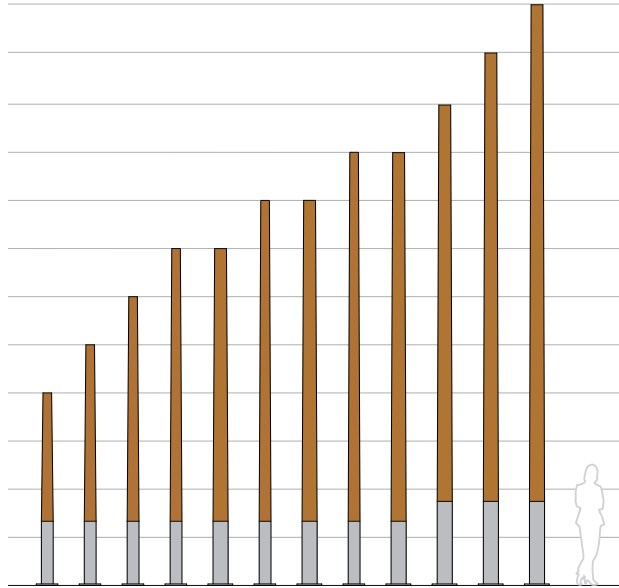


Bol 8' – 24' Round Tapered and Straight Wood Poles

FIXTURE TYPE: _____

PROJECT NAME: _____



Round Taper

Glulam solid wood and aluminum pole available in 8' – 24' lengths. Tenon adapters, slip fitters and side bracket mounts are available for luminaire mounting.

FEATURES:

- Round extruded aluminum pole base with flush handhole cover held with countersunk stainless steel fasteners.
- Tapered, round, solid glulam wood pole

SPECIFICATIONS:

HOUSING: Solid wood pole is assembled through glulam construction and precision machined using CNC technology. An electrical raceway is provided in the pole's center for wiring. Laminations measure no more than 2" in thickness. Adhesive complies with ASTM D-2559 glulam construction specifications for extreme exposed weather conditions, is waterproof and rated for wet or dry use exposure.

Glulam wood shaft is fastened to aluminum pole base welded to a 3/4" thick aluminum anchor bolt base. Anchor bolt kit includes (4) 3/4" hot dip galvanized anchor bolts and fasteners and ridged concrete pour template.

FIXTURE MOUNTING: Fixtures mount either by 2 3/8", 2 7/8", 3 1/2", or 4" diameter by 4" tall tenon or drill mount for arm brackets. Consult factory for other tenon sizes. Luminaires shall be provided by others.

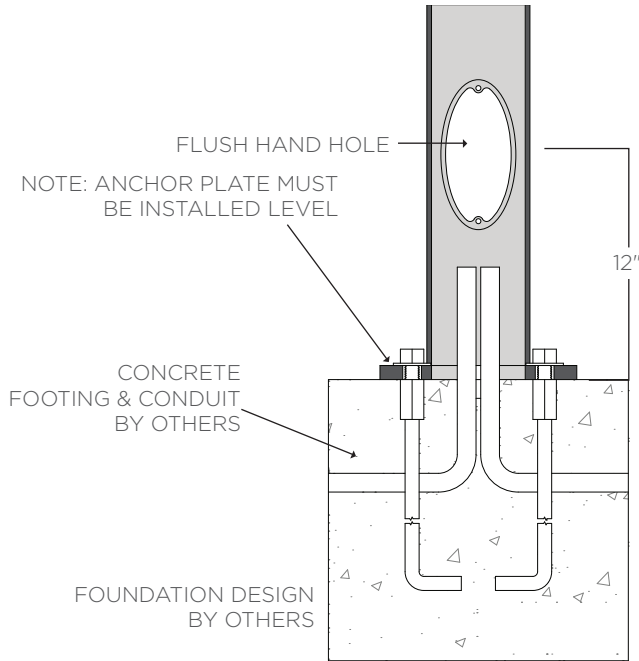


ELECTRICAL: A 5/16" – 18 grounding point is provided on the aluminum pole base. Wireway access is provided through a NEC compliant handhole with a flush, gasketed cover plate.

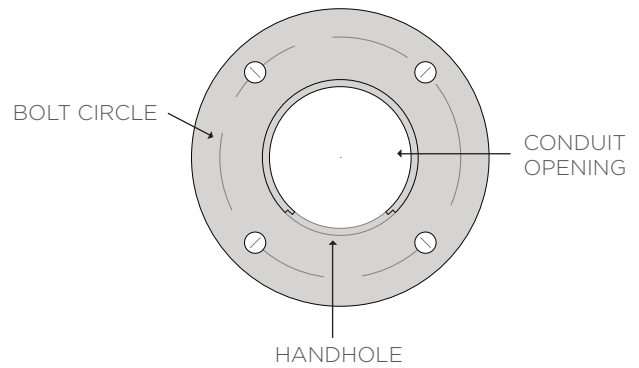
FINISHES AND MATERIALS: Woods are finished with a low VOC waterborne matte exterior finish containing UV and mildew inhibitors. All aluminum parts are polyester powder coat painted.

HARDWARE: Fasteners are stainless steel. Anchor bolt kits are hot dip galvanized.





	Bolt Circle	Conduit Opening
5.5" Base	8.5" dia.	5" dia.
7.0" Base	11" dia.	6.5" dia.



ORDERING GUIDE: EXAMPLE: BOL-S-12-55-55-S3-C6-T3124-STD

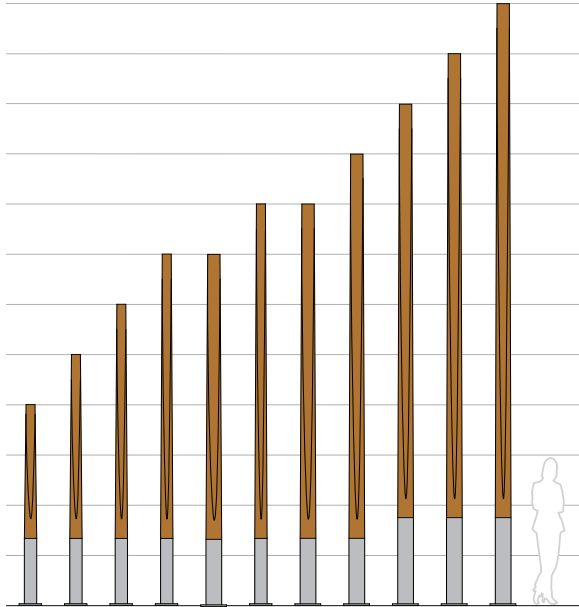


1	Series	4	Base Diameter	8	Fixture Mounting
BOL	Bol	55	5.5" - 20' Maximum Height	Tenon	2 3/8" x 4" Tenon 2 7/8" x 4" Tenon 3 1/2" x 4" Tenon 4" x 4" Tenon Specify diameter and height
2	Shaft Shape	70	7.0" - 24' Maximum Height	T2384	
T	Round Tapered Round Straight	5	Top Diameter	T2784	
S		40	4.0"	T3124	
3	Height	55	5.5"	T4004	
8	8'	70	7.0"	TXXX	
10	10'	6	Wood Finish	Drill	1 @ 90deg 2 @ 180deg 2 @ 90deg 3 @ 90deg 4 @ 90deg
12	12'	S*	See color options on finishes technical sheet	D1	
14	14'	7	Metal Finish	D2	
16	16'	C*	See color options on finishes technical sheet	D3	
18	18'	CSM	Custom Color	D4	
20	20'			D5	
22	22'			9	Special
24	24'			STD	Standard
				MOD	Modified

Bol – RSQ 8' – 24' Round Tapered to Square Pole

FIXTURE TYPE: _____

PROJECT NAME: _____



Round Tapered to Square

Glulam solid wood and aluminum pole available in 8' – 24' lengths. Tenon adapters, slip fitters and side bracket mounts are available for luminaire mounting.

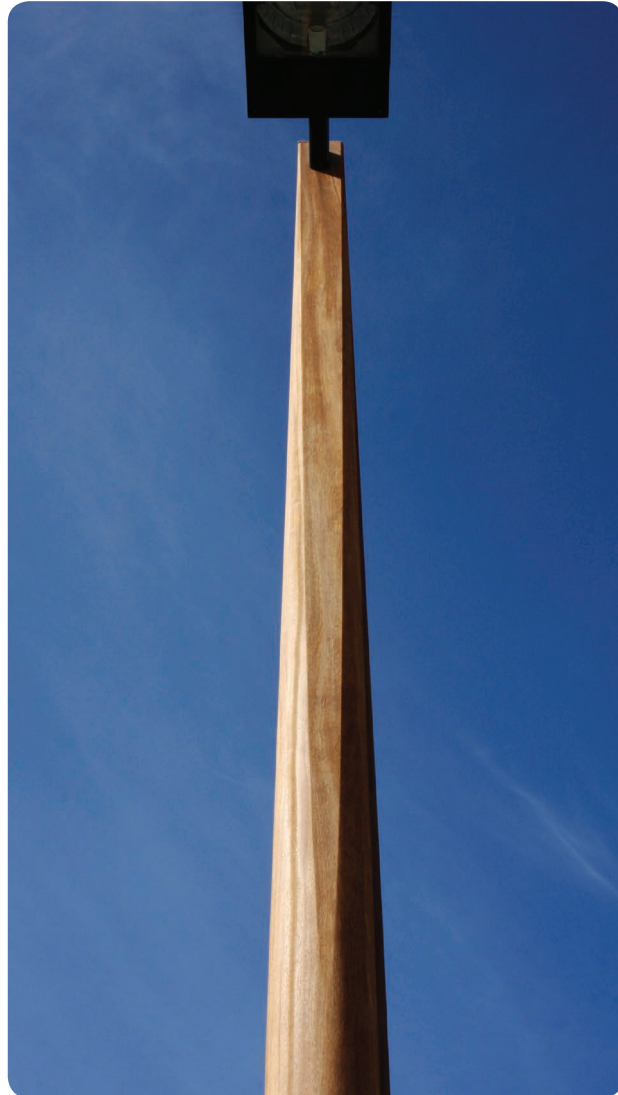
FEATURES:

- Unique CNC machined, round cross section at the base tapering to square cross section at the pole's top.
- Solid glulam wood construction.
- Round extruded aluminum pole base with flush handhole cover held with countersunk stainless steel fasteners.

SPECIFICATIONS:

HOUSING: Solid wood pole is assembled through glulam construction and precision machined using CNC technology. The pole's cross section begins round at the base and tapers to a square cross section at the top. An electrical raceway is provided in the pole's center for wiring. Laminations measure no more than 2" in thickness. Adhesive complies with ASTM D-2559 glulam construction specifications for extreme exposed weather conditions, is waterproof and rated for wet or dry use exposure.

Glulam wood shaft is fastened to aluminum pole base welded to a 3/4" thick aluminum anchor bolt base. Anchor bolt kit includes (4) 3/4" hot dip galvanized anchor bolts and fasteners and ridged concrete pour template.



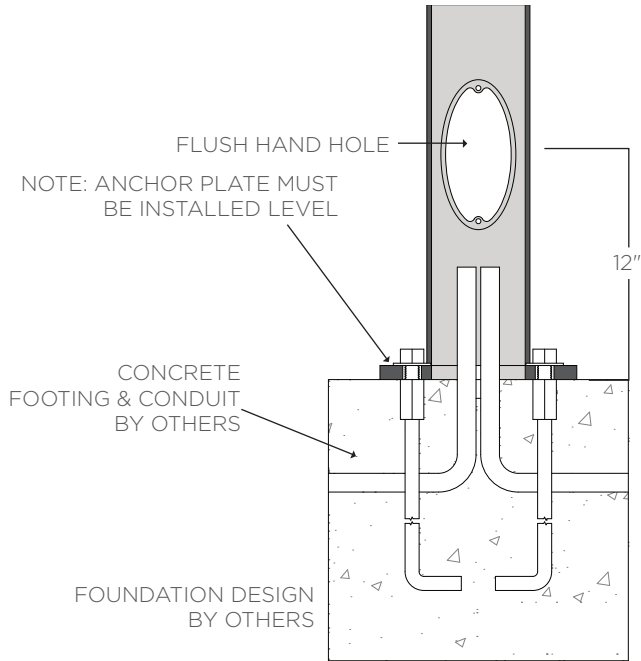
FIXTURE MOUNTING: Fixtures mount either by 2 3/8", 2 7/8", 3 1/2", or 4" diameter by 4" tall tenon or drill mount for arm brackets. Consult factory for other tenon sizes. Luminaires shall be provided by others.

ELECTRICAL: A 5/16" – 18 grounding point is provided on the aluminum pole base. Wireway access is provided through a NEC compliant handhole with a flush, gasketed cover plate.

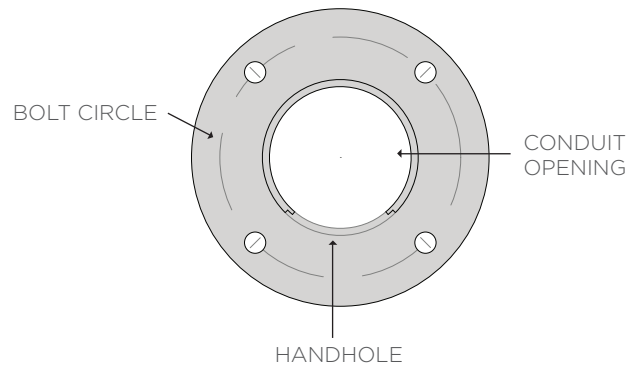
FINISHES AND MATERIALS: Woods are finished with a low VOC waterborne matte exterior finish containing UV and mildew inhibitors. All aluminum parts are polyester powder coat painted.

HARDWARE: Fasteners are stainless steel. Anchor bolt kits are hot dip galvanized.





	Bolt Circle	Conduit Opening
5.5" Base	8.5" dia	5" dia.
7.0" Base	11" dia.	6.5" dia.



ORDERING GUIDE: EXAMPLE: BOL-RSQ-16-55-40-54-C7-D2-STD

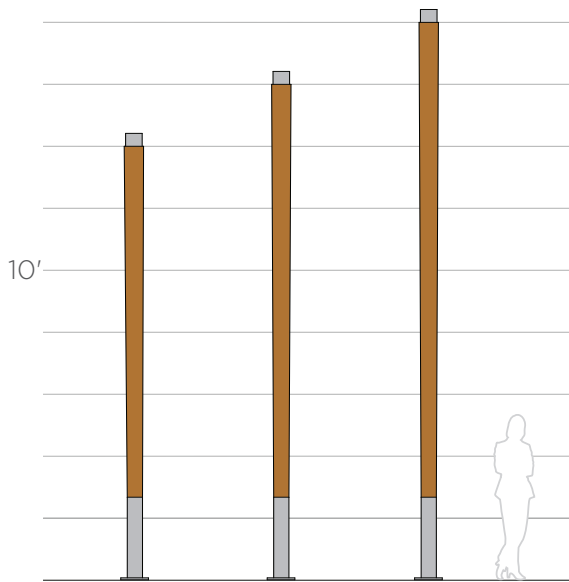


1	Series	4	Base Diameter	8	Fixture Mounting
BOL	Bol	55	5.5" - 16' Maximum Height	Tenon	
2	Shaft Shape	70	7.0" - 24' Maximum Height	T2384	2 3/8" x 4" Tenon
RSQ	Round Tapered to Square	5	Top Width	T2784	2 7/8" x 4" Tenon
3	Height	40	4.0"	T3124	3 1/2" x 4" Tenon
8	8'	6	Wood Finish	T4004	4" x 4" Tenon
10	10'	S*	See color options on finishes technical sheet	TXXX	Specify diameter and height
12	12'	7	Metal Finish	Drill	
14	14'	C*	See color options on finishes technical sheet	D1	1 @ 90deg
16	16'	CSM	Custom Color	D2	2 @ 180deg
18	18'			D3	2 @ 90deg
20	20'			D4	3 @ 90deg
22	22'			D5	4 @ 90deg
24	24'			9	Special
				STD	Standard
				MOD	Modified

Bol – REV Custom Reverse Taper Pole

FIXTURE TYPE: _____

PROJECT NAME: _____



Glulam solid wood and aluminum pole available in custom lengths. Tenon adapters are available for luminaire mounting.

FEATURES:

- Custom CNC machined reverse tapered round pole per project requirements.
- Standard and custom tenons available per luminaire and project requirements.
- Solid glulam wood construction.
- Round extruded aluminum pole base with flush handhole cover held with countersunk stainless steel fasteners.

SPECIFICATIONS:

HOUSING: Solid wood pole is assembled through glulam construction and precision machined using CNC technology. Reverse taper is provided per project requirements. Consult factory for options. An electrical raceway is provided in the pole's center for wiring. Laminations measure no more than 2" in thickness. Adhesive complies with ASTM D-2559 glulam construction specifications for extreme exposed weather conditions, is waterproof and rated for wet or dry use exposure.

Glulam wood shaft is fastened to aluminum pole base welded to a 3/4" thick aluminum anchor bolt base. Anchor bolt kit includes (4) 3/4" hot dip galvanized anchor bolts and fasteners and ridged concrete pour template.

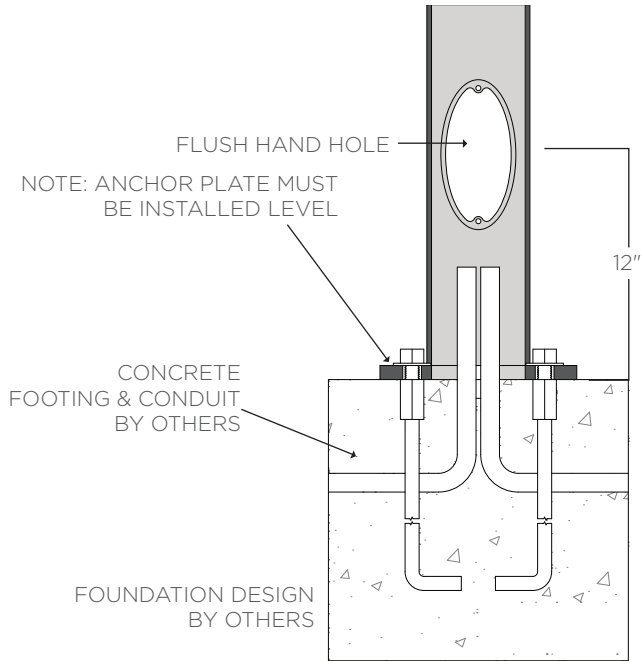


FIXTURE MOUNTING: Fixtures mount by tenon adapters. Consult factory for tenon sizes per project luminaire requirements. Luminaires shall be provided by others.

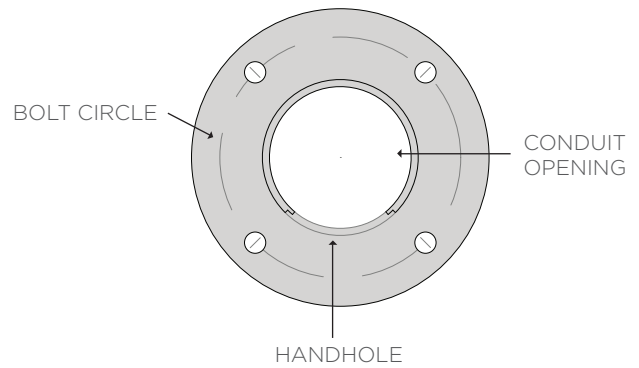
ELECTRICAL: A 5/16" - 18 grounding point is provided on the aluminum pole base. Wireway access is provided through a NEC compliant handhole with a flush, gasketed cover plate.

FINISHES AND MATERIALS: Woods are finished with a low VOC waterborne matte exterior finish containing UV and mildew inhibitors. All aluminum parts are polyester powder coat painted.

HARDWARE: Fasteners are stainless steel. Anchor bolt kits are hot dip galvanized.



	Bolt Circle	Conduit Opening
5.5" Base	8.5" dia	5" dia.
7.0" Base	11" dia.	6.5" dia.



ORDERING GUIDE: EXAMPLE: BOL-REV-12-55-60-55-C5-T4004-STD



1	Series
BOL	Bol
2	Shaft Shape
REV	Custom Reverse Round Taper
3	Height
XX	Specific Height in Feet (consult factory)

4	Base Diameter
55	5.5"
5	Top Diameter
XX	Specify in inches
6	Wood Finish
S*	See color options on finishes technical sheet

7	Metal Finish
C*	See color options on finishes technical sheet
CSM	Custom Color
8	Fixture Mounting
TXXX	Specify tenon, diameter and height in inches
9	Special
STD	Standard
MOD	Modified