

Duo Bollard

Installation Instructions

Warnings

CAUTION—risk of fire and this product must be installed in accordance with the applicable installation code by a person familiar with the construction and operation of the product and the hazards involved.

Suitable for wet locations.

Mounting orientation must have light source facing down.

Electrical service must be disconnected during installation.

Proper grounding is required to protect against shock and proper operation.

Tools Required

T20 Tamper-resistant drive for panel screws

9/16" socket or wrench for anchor bolts

Phillips drive for driver box lid

Wiring tools and connectors

Bollard Installation

Step 1: Remove (4) 8-32 tamper-resistant torx screws from lower accent panel. Set panel aside.

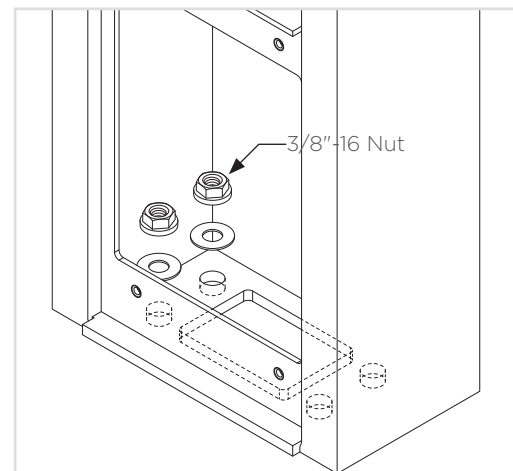
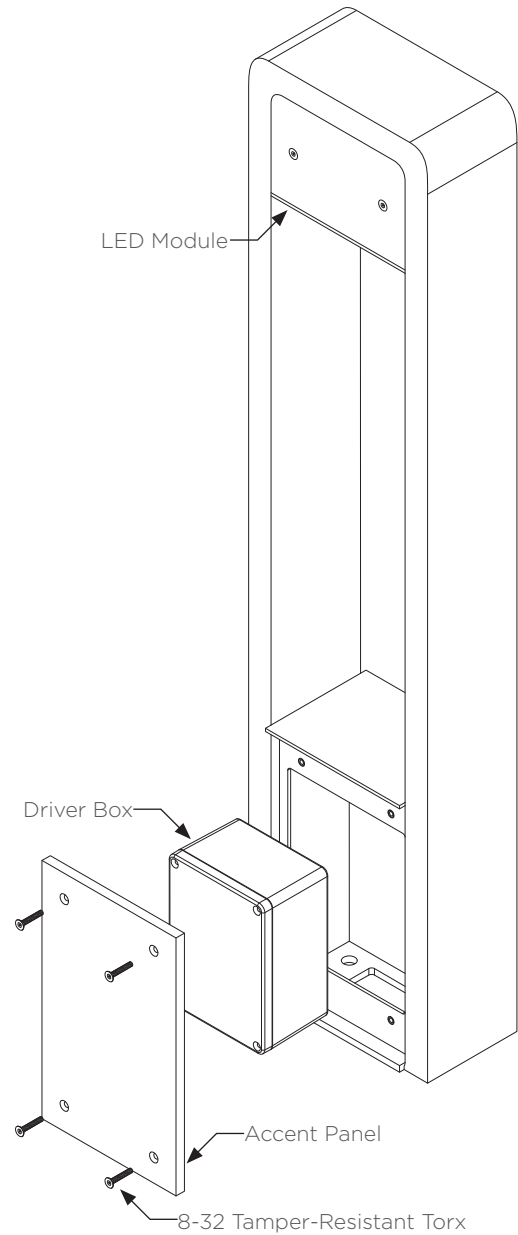
Step 2: Pull driver box out of bollard base and connect power to LED driver. See page 2 for driver box wiring.

Step 3: Set bollard on to pre-installed anchor bolts. Make sure baseplate is level.

Step 4: Secure bollard with supplied (4) 3/8"-16 nuts and washers.

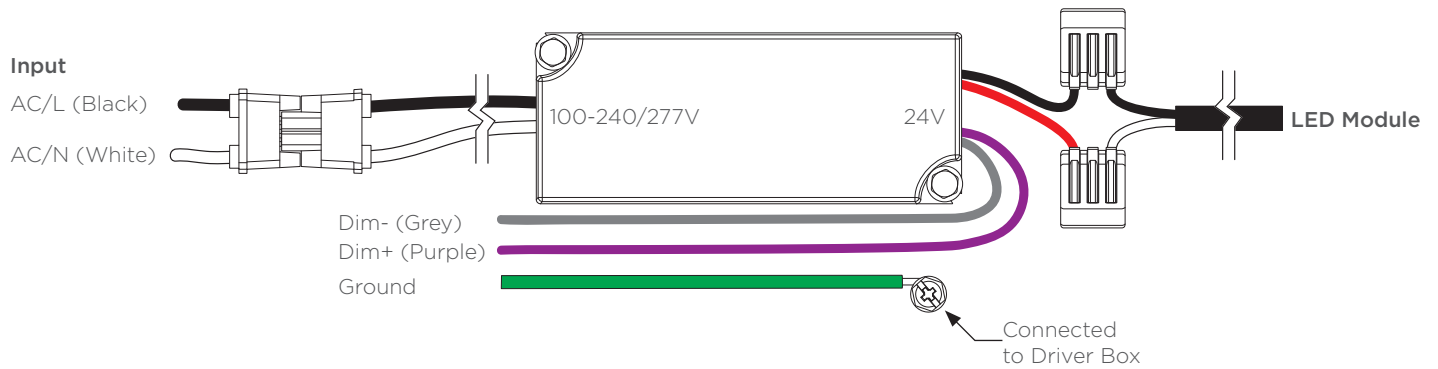
Step 5: Place driver box back into base cavity.

Step 6: Resecure accent panel.



Duo Bollard

Installation Instructions



Bollard Wiring

Step 1: Take off driver box lid by removing (4) Philips screws.

Step 2: Connect input power to driver pigtail as shown above.

Step 3: Connect dimming wires to remote dimmer (by others) if applicable.

Step 4: Connect grounding wire to ground pigtail attached to driver box tray.

Step 5: Resecure driver box lid and reinsert back into bollard base.

