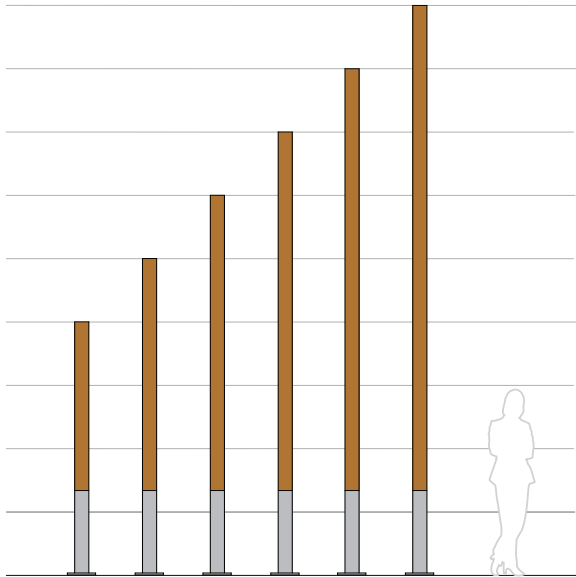


Spar 8' – 18' Square Straight and Tapered Poles

FIXTURE TYPE: _____

PROJECT NAME: _____



Square Straight Pole

Glulam solid wood and aluminum pole available in 8' – 18' lengths. Tenon adapters, slip fitters and side bracket mounts are available for luminaire mounting.

FEATURES:

- Square extruded aluminum pole base with flush handhole cover held with countersunk stainless steel fasteners.
- Straight, square, solid glulam wood pole

SPECIFICATIONS:

HOUSING: Solid wood pole is assembled through glulam construction and precision machined using CNC technology. An electrical raceway is provided in the pole's center for wiring. Laminations measure no more than 2" in thickness. Adhesive complies with ASTM D-2559 glulam construction specifications for extreme exposed weather conditions, is waterproof and rated for wet or dry use exposure.

Glulam wood shaft is fastened to aluminum pole base welded to a 3/4" thick aluminum anchor bolt base. Anchor bolt kit includes (4) 3/4" hot dip galvanized anchor bolts and fasteners and ridged concrete pour template.

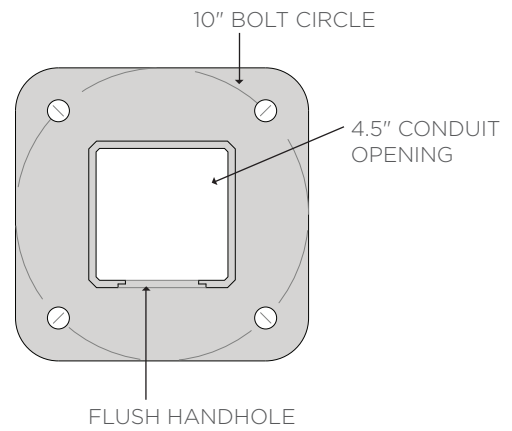
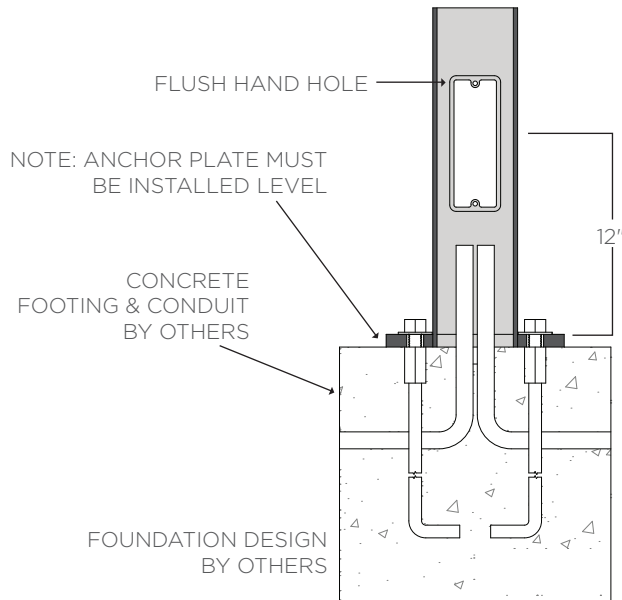
FIXTURE MOUNTING: Fixtures mount either by 2 3/8", 2 7/8", 3 1/2", or 4" diameter by 4" tall tenon or drill mount for arm brackets. Consult factory for other tenon sizes. Luminaires shall be provided by others.



ELECTRICAL: A 5/16" – 18 grounding point is provided on the aluminum pole base. Wireway access is provided through a NEC compliant handhole with a flush, gasketed cover plate.

FINISHES AND MATERIALS: Woods are finished with a low VOC waterborne matte exterior finish containing UV and mildew inhibitors. All aluminum parts are polyester powder coat painted.

HARDWARE: Fasteners are stainless steel. Anchor bolt kits are hot dip galvanized.



ORDERING GUIDE: EXAMPLE: SPAR-S-18-50-50-S1-C2-T3124-STD



1	Series	4	Base Diameter	8	Fixture Mounting
SPAR	Spar	50	5.0"	LIN	Structura Lineal
2	Shaft Shape	5	Top Diameter	Tenon	
S	Square Straight	40	4.0"	T2384	2 3/8" x 4" Tenon
T	Square Tapered	50	5.0"	T2784	2 7/8" x 4" Tenon
3	Height	6	Wood Finish	T3124	3 1/2" x 4" Tenon
8	8'	S*	See color options on finishes technical sheet	T4004	4" x 4" Tenon
10	10'	7	Metal Finish	TXXX	Specify other Tenon
12	12'	C*	See color options on finishes technical sheet	Drill	
14	14'	CSM	Custom Color	D1	1 @ 90deg
16	16'			D2	2 @ 180deg
18	18'			D3	2 @ 90deg
				D4	3 @ 90deg
				D5	4 @ 90deg
				9	Special
				STD	Standard
				MOD	Modified