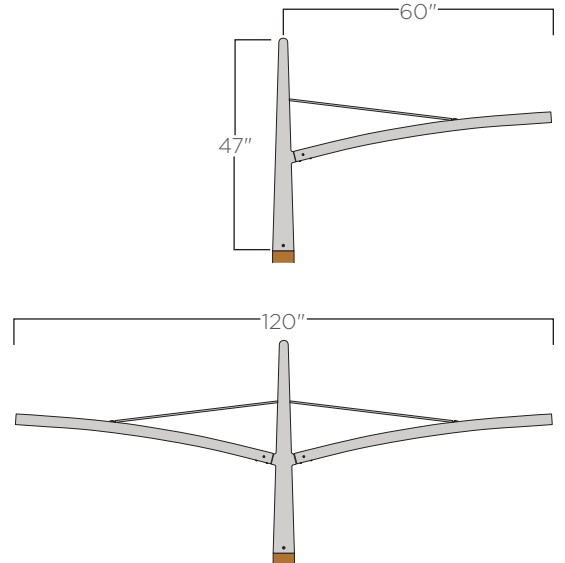
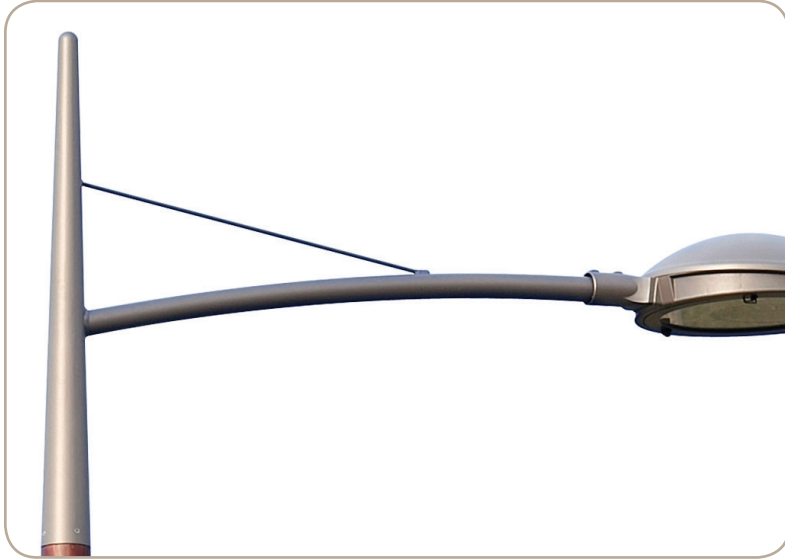


Bussy Aluminum Fixture Mounting Arm

FIXTURE TYPE: _____

PROJECT NAME: _____



Conical aluminum pole top with mast arm for fixture attachment.

FEATURES:

- 5° mast arm incline on spigot
- Casted aluminum cone shape for pole top
- Cantilever appearance
- Arm accepts most slip fit fixtures

SPECIFICATIONS:

CONSTRUCTION: Casted aluminum pole top with bent 6063-T6 aluminum tube. Tension able in stainless steel.

FINISHES AND MATERIALS: Metal parts are polyester powder coat painted.

HARDWARE: All fasteners are stainless steel.

ELECTRICAL: Electrical chase through arm and conical casting to connect to electrical chase in center of pole.

FIXTURE MOUNTING: Arms are made for 2 3/8" mast arm fittings.

ORDERING GUIDE: EXAMPLE: BUSSY-SNGL

BUSSY

1

2

1 | Series
BUSSY | Bussy

2 | Arm
SNGL | Single
DBL | Double