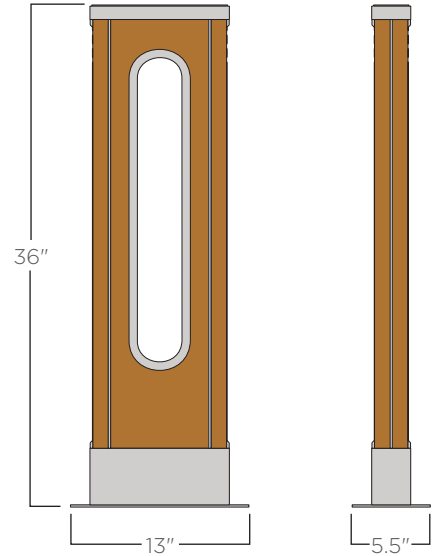


# Utyl Bike Rack

FIXTURE TYPE: \_\_\_\_\_

PROJECT NAME: \_\_\_\_\_



Wood and metal bicycle rack.

## FEATURES:

- European designed and American made
- Steel skeletal structure

## SPECIFICATIONS:

**CONSTRUCTION:** 36" electro-galvanize steel skeletal structure with solid wood accent panels.

**FINISHES AND MATERIALS:** Woods are finished with a low VOC waterborne matte exterior finish containing UV and Mildew inhibitors. All metal parts are polyester powder coat painted.

**HARDWARE:** Concrete anchors are zinc yellow-chromate steel. All other hardware is stainless steel.

**ORDERING GUIDE:** EXAMPLE: UBR-36-53-C5-STD



<b>1</b>	<b>Series</b>
<b>UBR</b>	Utyl Bike Rack
<b>2</b>	<b>Overall Height</b>
<b>36</b>	36"
<b>3</b>	<b>Wood Finish</b>
<b>S*</b>	See color options on finishes technical section

<b>4</b>	<b>Metal Finish</b>
<b>C*</b>	See color options on finishes technical sheet
<b>CSM</b>	Custom Color
<b>5</b>	<b>Special</b>
<b>STD</b>	Standard
<b>MOD</b>	Modified



Designed by Aubrilam