

SPL Solar Post Top Luminaire and Wood Pole

FIXTURE TYPE: _____

PROJECT NAME: _____



Solar post top luminaire and our wood pole.

FEATURES:

- Fully self-contained unit
- Minimal site impact with no trenching, cabling, or wiring
- No electric bills or lamp replacement
- Automatically manages performance based on environmental conditions
- Not affected by power outages
- On a tapered laminated wood pole with an aluminum base with flush handhole cover

SPECIFICATIONS:

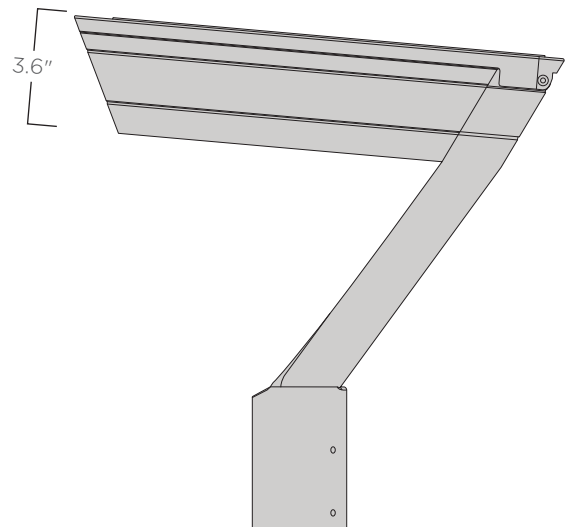
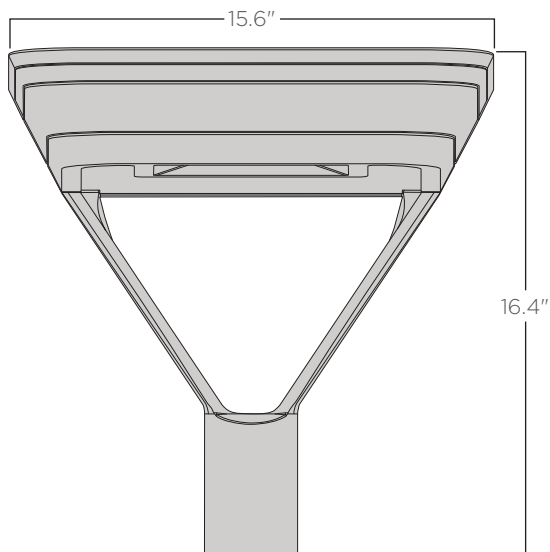
CONSTRUCTION: Casted aluminum top, housing, and arms.

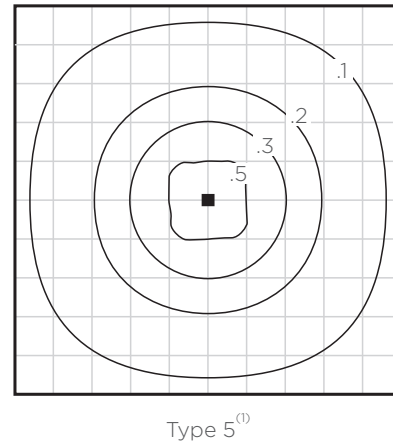
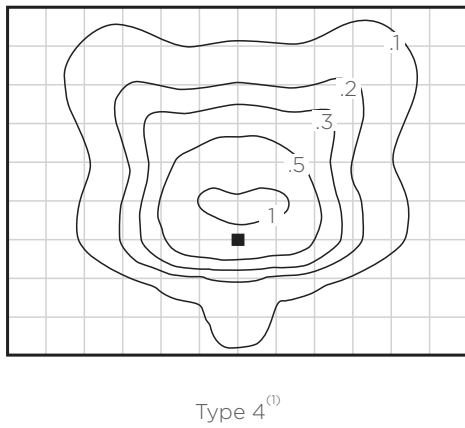
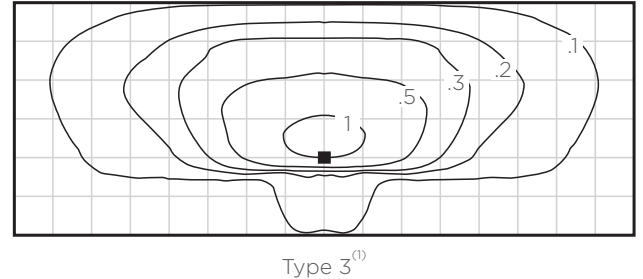
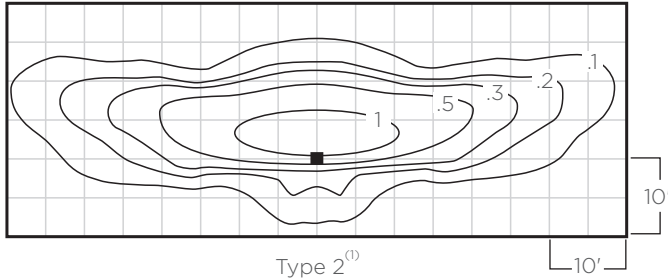
SOLAR MODULE: Panel integrated into top of casted top piece. High-efficiency mono-crystalline cells used for day/night detection. Battery is rated to -4°F winter rating with high temperature tolerance and 10 year life.

OPTICAL SYSTEM: Four high-output LEDs with a combined lumen output of 850 to 1000 lumens in 3000K or 4300K with a 100,000 hour L70 life.

FINISHES AND MATERIALS: All metal parts are polyester powder coat painted.

HARDWARE: Stainless steel bolts.





FIRSTLIGHT

TECHNOLOGIES

ORDERING GUIDE: EXAMPLE: SPL-12S-C7-S5-L30S-T3-04-STD

SPL							
1	2	3	4	5	6	7	8

1	Series
SPL	SPL
2	Pole
10B	10' Bol-T
12B	12' Bol-T
10S	10' Spar-T
12S	12' Spar-T
3	Metal Finish
C7	Jet Black
CSM	Custom Color

4	Wood Finish
S*	See color options on finishes technical sheet
5	Color Temperature
L30S	3000K LED
L43S	4300K LED
6	Distribution
T2	Type 2
T3	Type 3
T4	Type 4
T5	Type 5

7	Lighting Profile
00	Dusk 'til Dawn
01	Dark +6 hours then off
02	Dark +6 hours then 30%
03	Dark +5 hours, off, Dawn -1 hour
04	Dark +5 hours, 30%, Dawn -1 hour (default)
8	Special
STD	Standard
MOD	Modified

1. Photometrics based on a 12' mounting height.

Product specification sheets subject to change.