

# Utyl Beacon

FIXTURE TYPE: \_\_\_\_\_

PROJECT NAME: \_\_\_\_\_



Steel pedestrian traffic bollard with illuminated acrylic and wood accents.

## FEATURES:

- Sturdy steel skeleton
- Low wattage LED light source
- Three different height options

## SPECIFICATIONS:

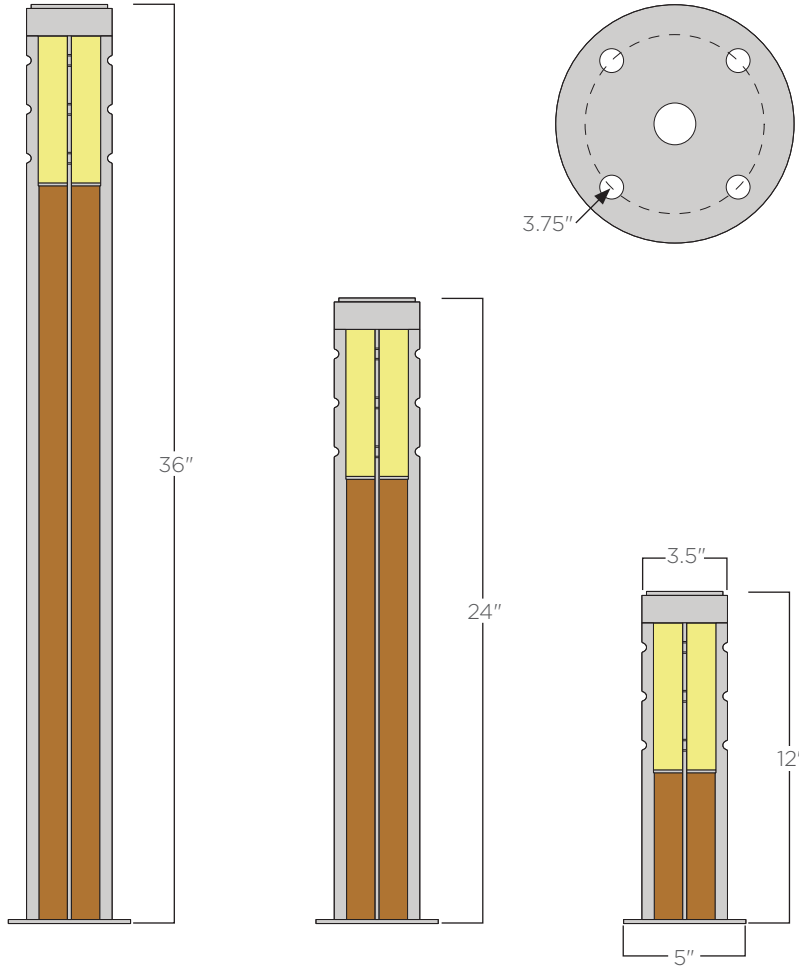
**CONSTRUCTION:** Electro-galvanized steel skeletal structure welded to steel baseplate.

**ELECTRICAL:** LED is 3.1W and powered by a remote 9-15V AC/DC power supply. Fixture is internally pre-wired to the electrical splice location in the fixture base.

**FINISHES AND MATERIALS:** Wood is finished with a low VOC waterborne matte exterior finish containing UV and Mildew inhibitors. All metal parts are polyester powder coat painted.

**HARDWARE:** Stainless steel concrete bolt anchors.





**ORDERING GUIDE:** EXAMPLE: UBC-36-S4-C7-STD



<b>1</b>	<b>Series</b>
<b>UBC</b>	Utyl Beacon
<b>2</b>	<b>Height</b>
<b>12</b>	12"
<b>24</b>	24"
<b>36</b>	36"

<b>3</b>	<b>Wood Finish</b>
<b>S*</b>	See color options on finishes technical sheet
<b>4</b>	<b>Metal Finish</b>
<b>C*</b>	See color options on finishes technical sheet
<b>CSM</b>	Custom Color

<b>5</b>	<b>Special</b>
<b>STD</b>	Standard
<b>MOD</b>	Modified