

**Warnings**

CAUTION—risk of fire and this product must be installed in accordance with the applicable installation code by a person familiar with the construction and operation of the product and the hazards involved.

Electrical service must be disconnected during installation.

Proper grounding is required to protect against shock and proper operation.

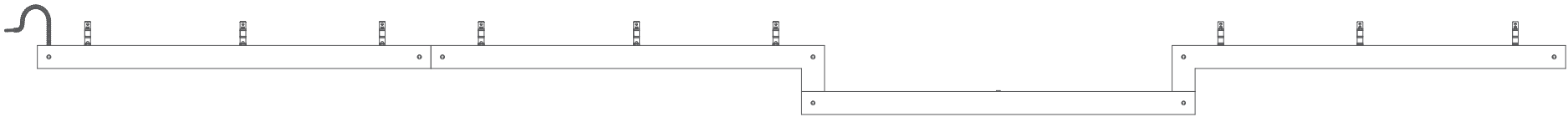
**Notes:**

- Do not install luminaires on the ground and use proper support when hanging.
- All power connections to be installed to appropriate codes by a certified electrician.
- This is an example run only. Your installation may vary from this example.

**For installation help visit: [www.structura.com/elle/install](http://www.structura.com/elle/install)**

### Step 1: Preparation

**Note:** Refer to factory run drawings for exact mounting, suspension, and power feed locations.



**Section A:**  
Starter Luminaire

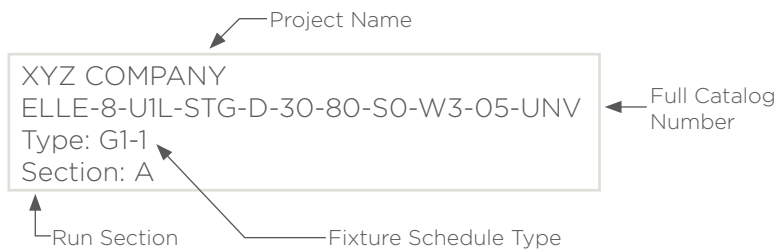
**Section B:**  
Connected Luminaire

**Section C:**  
Connected Luminaire

**Section D:**  
Connected Luminaire

Organize and identify luminaires required for run using the record drawing for the project created by the factory.

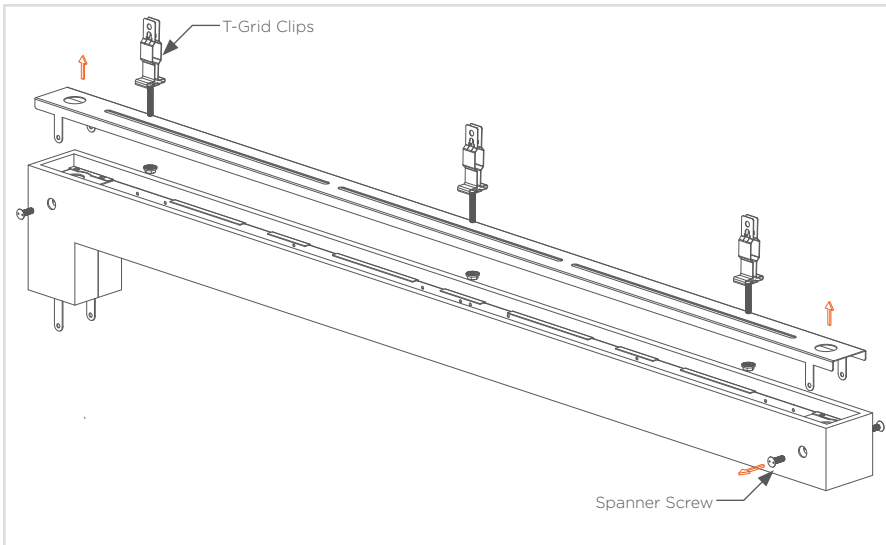
Layout boxes by fixture type and section letter as indicated on the box label as shown below.



**For installation help visit: [www.structura.com/elle/install](http://www.structura.com/elle/install)**

### Step 2: Starter Luminaire Mounting

#### Mount starter to structure

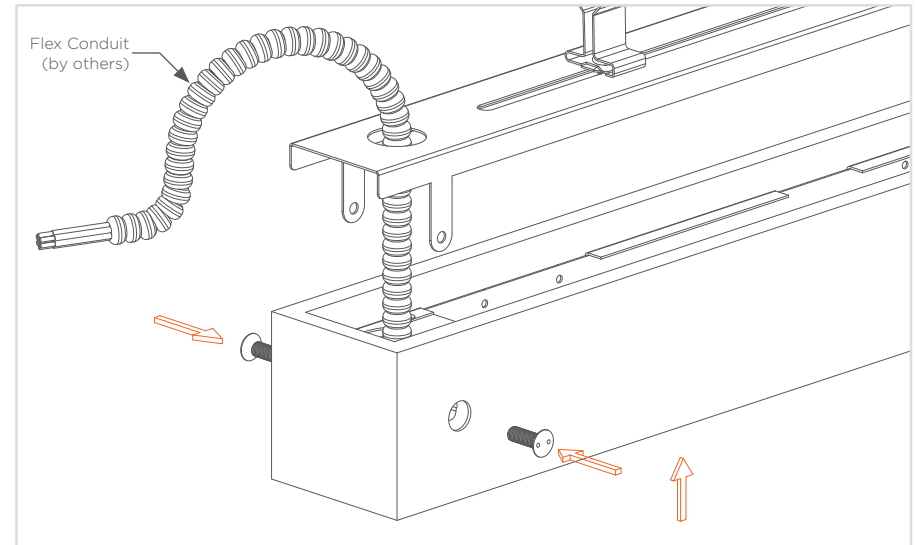


1. Release ceiling mounting bracket by removing 1/4"-20 spanner screws using supplied spanner bit.
2. Attach mounting bracket to ceiling using supplied T-grip clips or hardware appropriate to building code through center slots.
3. Run flex conduit (by others) to starter luminaire location and connect to wire leads.

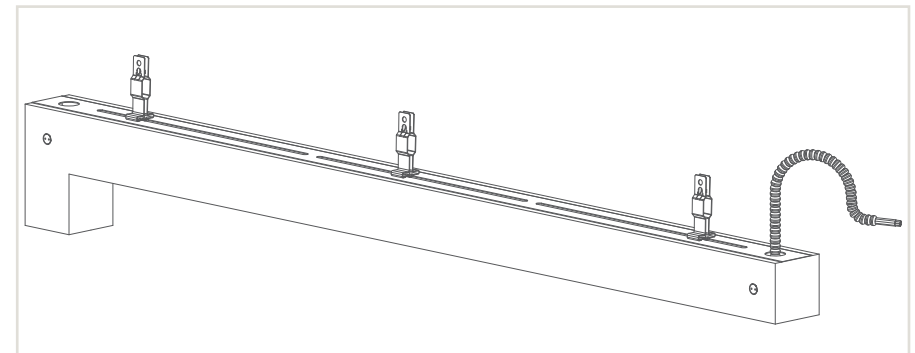
Conductor Leads		
Black	Hot	Line Voltage
White	Neutral	Line Voltage
Green	Ground	
Grey	Dimming	0-10V
Purple	Dimming	0-10V
Red*		

\*Used for controls and emergency options.

#### Terminate electrical connections



4. Place luminaire back onto mounting bracket. Align spanner screw holes with connector leg of mounting bracket.
5. Resecure with spanner screw.



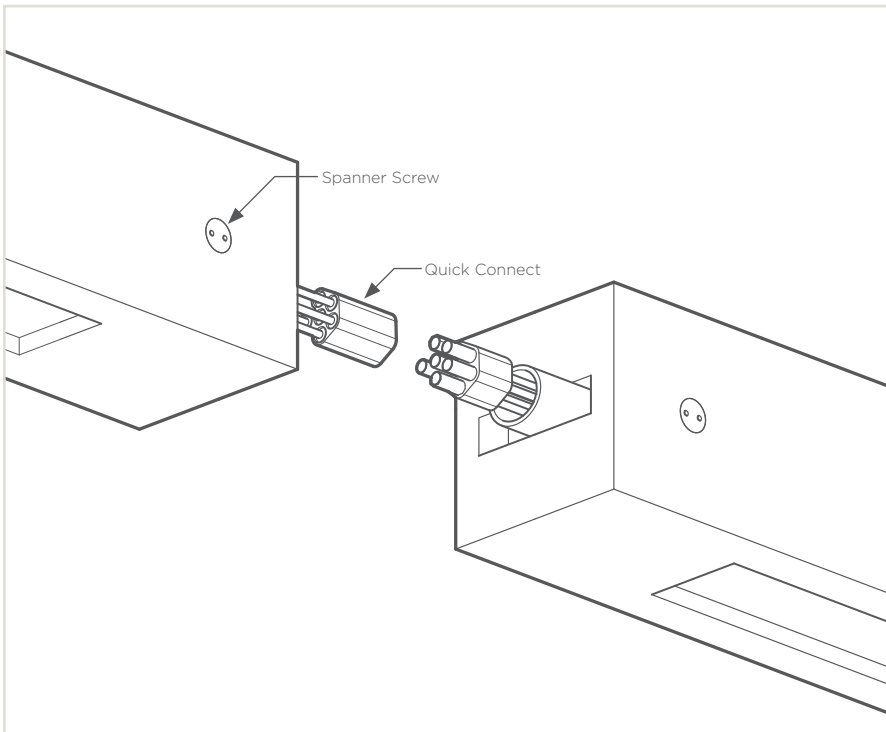
For installation help visit: [www.structura.com/elle/install](http://www.structura.com/elle/install)

### Step 3: Creating Luminaire Runs



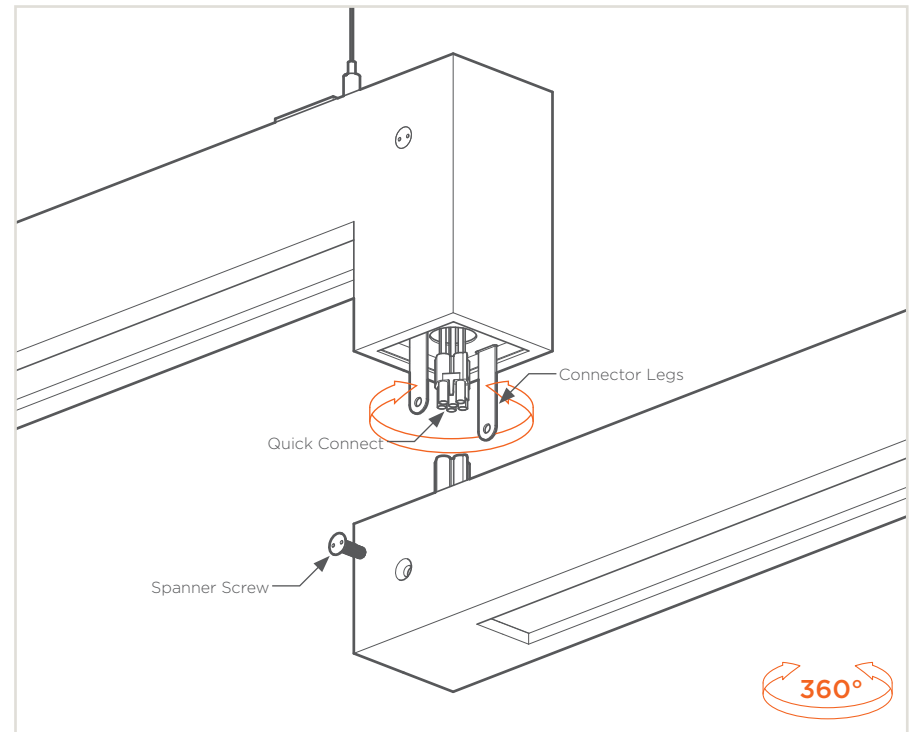
WARNING: DO NOT JOIN LUMINAIRES TOGETHER ON THE FLOOR. DAMAGE MAY OCCUR WHEN LIFTING.

#### End-to-End Connection



1. Mount connecting luminaire's mounting bracket to ceiling with end butted up against starter luminaire.
2. Hold connecting luminaire to mounting bracket with gap between luminaires.
3. Connect male and female ends of quick connect.
4. Slide luminaire towards starter luminaire and secure in place with supplied 1/4"-20 spanner screw.

#### Leg-to-Top Connection



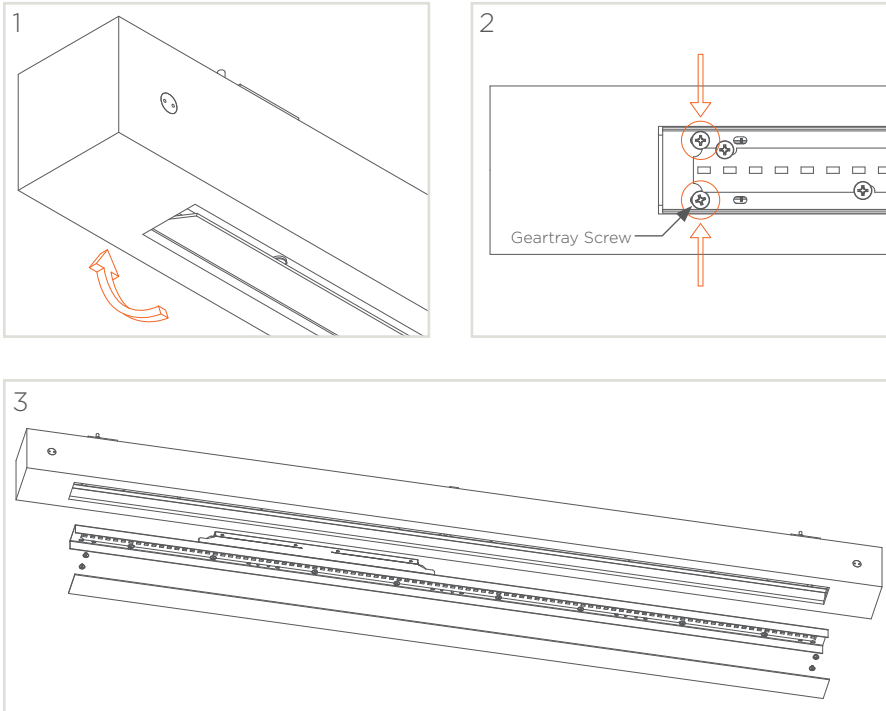
1. Connect male and female ends of quick connect.
2. Hold end of second luminaire up to leg of uppercase luminaire aligning to groove in top of luminaire.
3. Secure second luminaire with 1/4"-20 spanner screw using supplied spanner bit.

**Note:** Do not rotate past 360° as wires will twist.

For installation help visit: [www.structura.com/elle/install](http://www.structura.com/elle/install)

## Troubleshooting

### Accessing LED and Driver



1. Remove acrylic lens by pushing lens upward at an angle until side comes out.
2. Remove four Philips screws (two at each end of tray) indicated in drawing above to loosen LED geartray.
3. LED driver is located on the back of the geartray.

**Note:** Do not pin wire between geartray and inner housing when reinstalling geartray.

**For installation help visit: [www.structura.com/elle/install](http://www.structura.com/elle/install)**