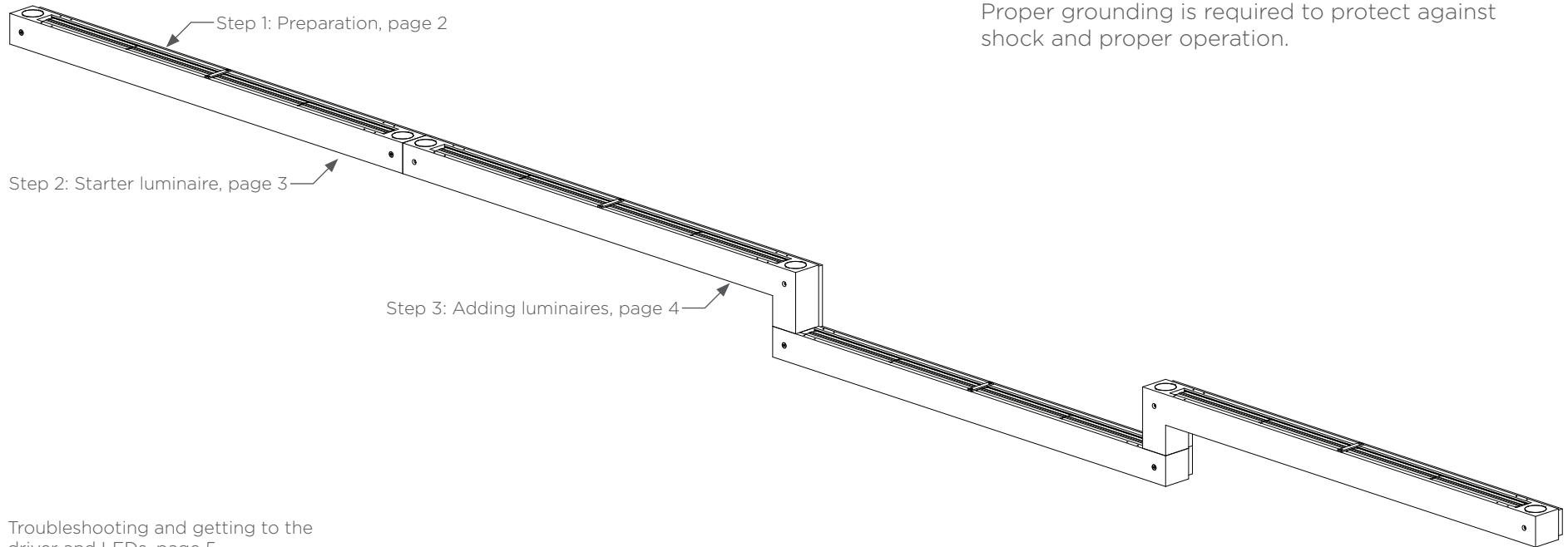


Warnings

CAUTION—risk of fire and this product must be installed in accordance with the applicable installation code by a person familiar with the construction and operation of the product and the hazards involved.

Electrical service must be disconnected during installation.

Proper grounding is required to protect against shock and proper operation.



Troubleshooting and getting to the driver and LEDs, page 5

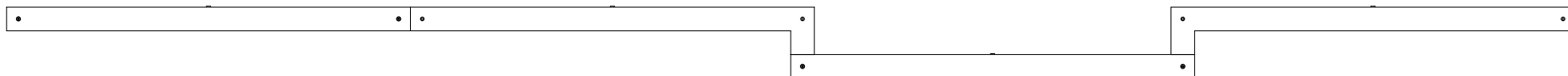
Notes:

- Do not install luminaires on the ground and use proper support when hanging.
- All power connections to be installed to appropriate codes by a certified electrician.
- This is an example run only. Your installation may vary from this example.

For installation help visit: www.structura.com/elle/install

Step 1: Preparation

Note: Refer to factory run drawings for exact mounting, suspension, and power feed locations.



Section A:
Starter Luminaire

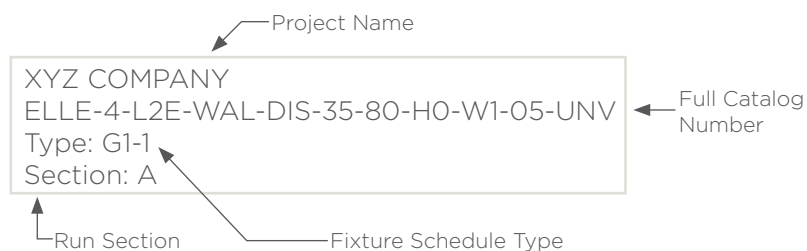
Section B:
Connected Luminaire

Section C:
Connected Luminaire

Section D:
Connected Luminaire

Organize and identify luminaires required for run using the record drawing for the project created by the factory.

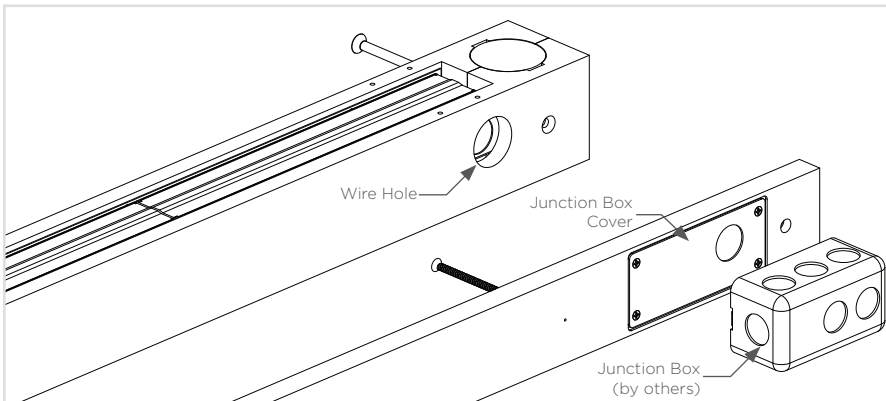
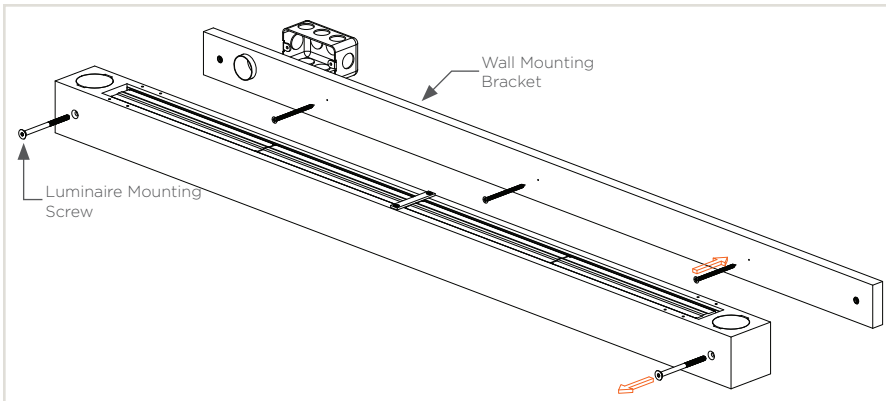
Layout boxes by fixture type and section letter as indicated on the box label as shown below.



For installation help visit: www.structura.com/elle/install

Step 2: Starter Luminaire Mounting

Mount starter to structure



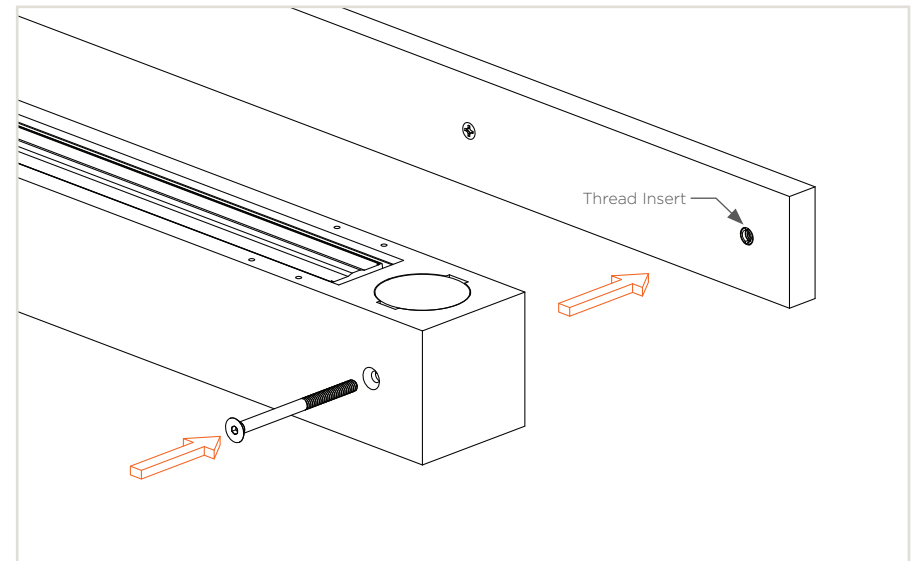
1. Release wall mounting bracket by removing 1/4"-20 socket cap screws from assembly.
2. Attach mounting bracket to wall using hardware appropriate to building code locating wire hole in front of junction box (junction box supplied by others).

Terminate electrical connections

3. Run flex conduit (by others) through wire hole and connect to luminaire wire leads.
4. Place luminaire back onto mounting bracket aligning 1/4"-20 screws with thread insert in mounting bracket.
5. Tighten screws to secure luminaire to mounting bracket.

Conductor Leads		
Black	Hot	Line Voltage
White	Neutral	Line Voltage
Green	Ground	
Grey	Dimming	0-10V
Purple	Dimming	0-10V
Red*		

*Used for controls and emergency options.



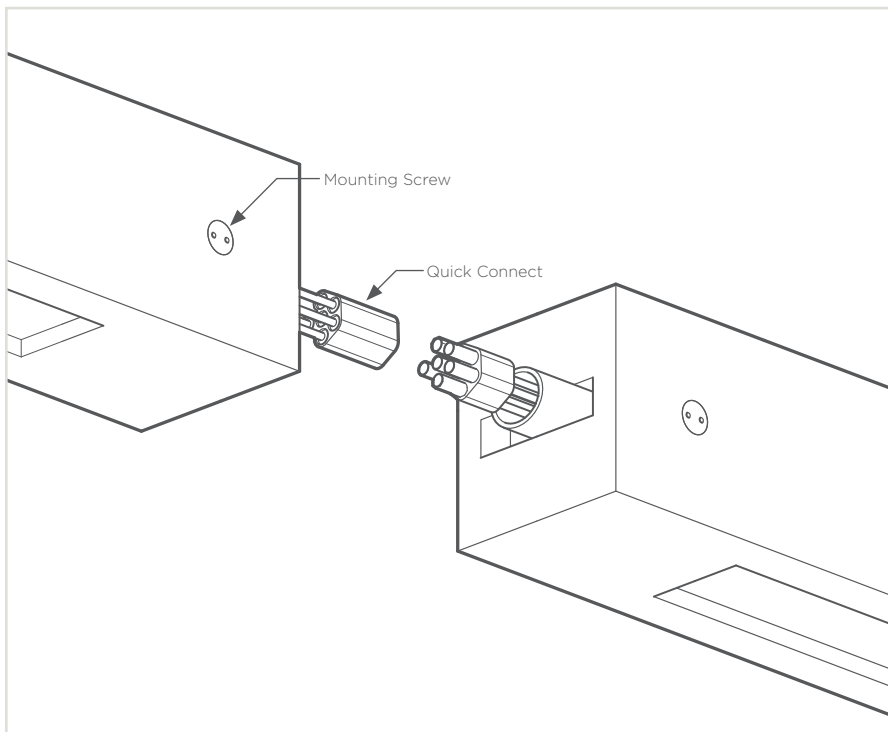
For installation help visit: www.structura.com/elle/install

Step 3: Creating Luminaire Runs



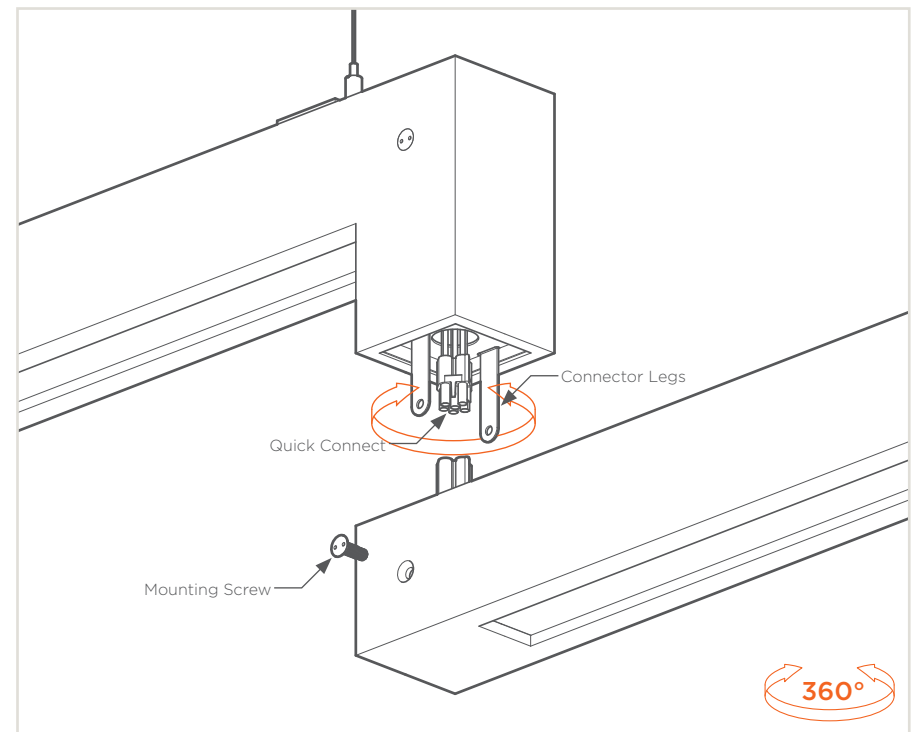
WARNING: DO NOT JOIN LUMINAIRES TOGETHER ON THE FLOOR. DAMAGE MAY OCCUR WHEN LIFTING.

End-to-End Connection



1. Mount connecting luminaire's mounting bracket to wall with end butted up against starter luminaire.
2. Hold connecting luminaire to mounting bracket with gap between luminaires.
3. Connect male and female ends of quick connect.
4. Slide luminaire towards starter luminaire and secure in place with supplied 1/4"-20 mounting screw.

Leg-to-Top Connection



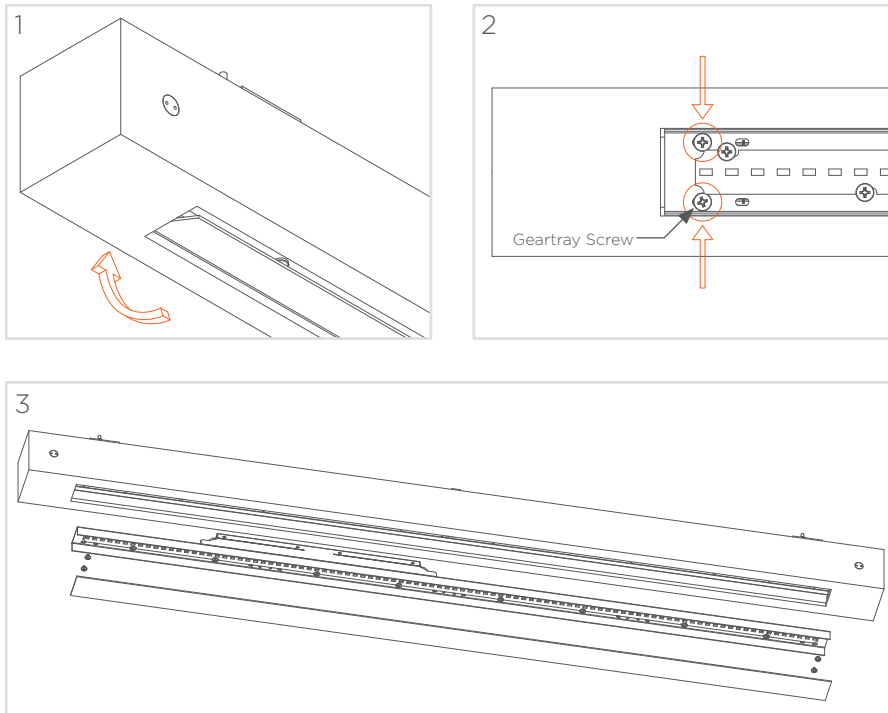
1. Connect male and female ends of quick connect.
2. Hold end of second luminaire up to leg of uppercase luminaire aligning to groove in top of luminaire.
3. Secure second luminaire with 1/4"-20 spanner screw using supplied spanner bit.

Note: Do not rotate past 360° as wires will twist.

For installation help visit: www.structura.com/elle/install

Troubleshooting

Accessing LED and Driver



1. Remove acrylic lens by pushing lens upward at an angle until side comes out.
2. Remove four Philips screws (two at each end of tray) indicated in drawing above to loosen LED geartray.
3. LED driver is located on the back of the geartray.

Note: Do not pin wire between geartray and inner housing when reinstalling geartray.

For installation help visit: www.structura.com/elle/install