

Beam 12' - 30' Steel Pole

FIXTURE TYPE: _____

PROJECT NAME: _____



Steel H-beam upright with wood accent panels.

FEATURES:

- Roadway or pedestrian pole heights up to 30'.
- Catenary cable capabilities.
- Available in 6" and 8" square sizes.

SPECIFICATIONS:

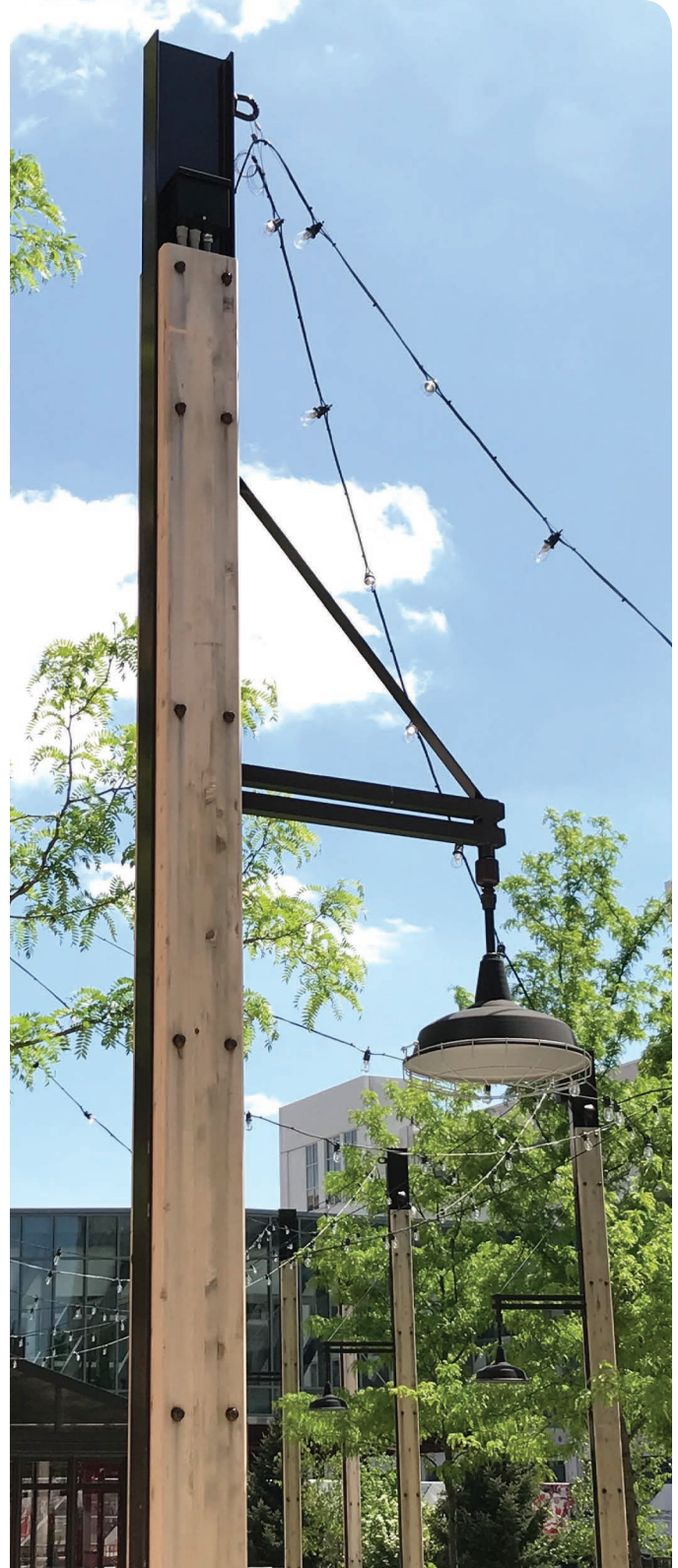
CONSTRUCTION: Formed A992 steel beam welded to an A36 steel baseplate. Solid wood pole is assembled through glulam construction and precision machined using CNC technology. Adhesive complies with ASTM D-2559 glulam construction specifications for extreme exposed weather conditions, is waterproof and rated for wet or dry use exposure.

FINISHES AND MATERIALS: All steel and aluminum parts are polyester powder coat painted. Woods are finished with a low VOC waterborne matte exterior finish containing UV and mildew inhibitors.

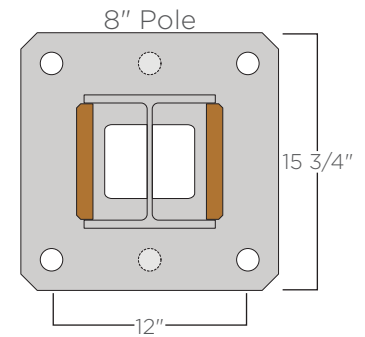
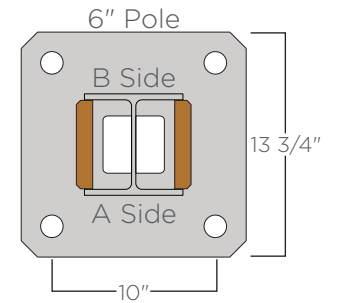
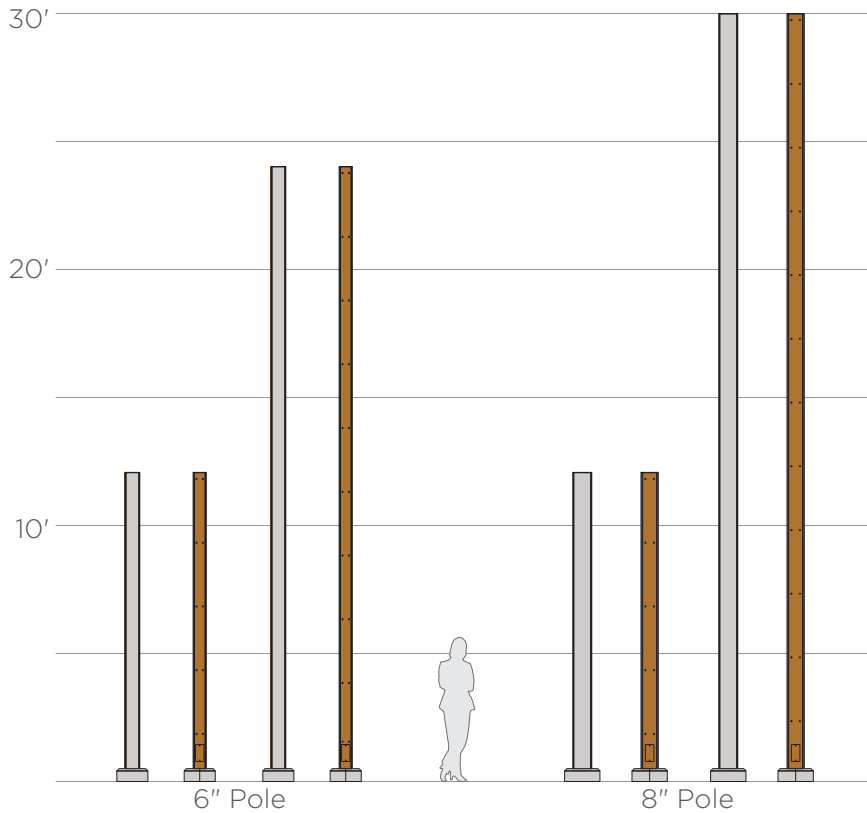
ELECTRICAL: A 5/16" - 18 grounding point is provided on the aluminum pole center support. Wireway access is provided through a NEC compliant handhole hidden behind accent panel.

HARDWARE: All fasteners and hardware are stainless steel. Anchor bolt kits are hot dipped galvanized steel.

FIXTURE MOUNTING: Fixtures mount pole to arm with welded on bolt plate or tenon.



Shown with unfinished Alaskan Yellow Cedar and modified top.



ORDERING GUIDE: EXAMPLE: BEAM-20-6-C5-A18-B12-S5-STD

BEAM									
1	2	3	4	5	6	7	8	9	10

1	Series
BEAM	Beam
2	Pole Height⁽¹⁾
12	12'
30	30'
**	Specify
3	Size
6	6"
8	8"
4	Anchor Bolt
4	4
6	6

5	Pole Finish
C*	See color options on finishes technical sheet
CSM	Custom Color
6	A Side Fixture Mounting
A0	No fixture on this side
A12	12'
A30	30'
A**	Specify
7	B Side Fixture Mounting Height
B0	No fixture on this side
B12	12'
B30	30'
B**	Specify

8	Wood Panel Finish
S*	See color options on finishes technical sheet
9	Options
CAT	Catenary ⁽²⁾
BNR	Banner ⁽³⁾
GFCI	GFCI Box
10	Special
STD	Standard
MOD	Modified

1. 6" poles are available up to 24' in height.
 2. Catenary poles must use the 8" size with 6 anchor bolts.
 3. Consult factory for allowable banner size based upon EPA.