

Tandem LED 12' Linear LED Pole

STRUCTURA

FIXTURE TYPE: _____

PROJECT NAME: _____



Double upright aluminum pedestrian pole with linear LED lighting with contrasting side panel accents.

FEATURES:

- Smooth, dot free lumination
- Integral power supply
- Multiple static color options and color changing RGB available

SPECIFICATIONS:

CONSTRUCTION: Rectangular extruded 6063-T6 aluminum alloy tube welded to 319SR aluminum alloy base plate.

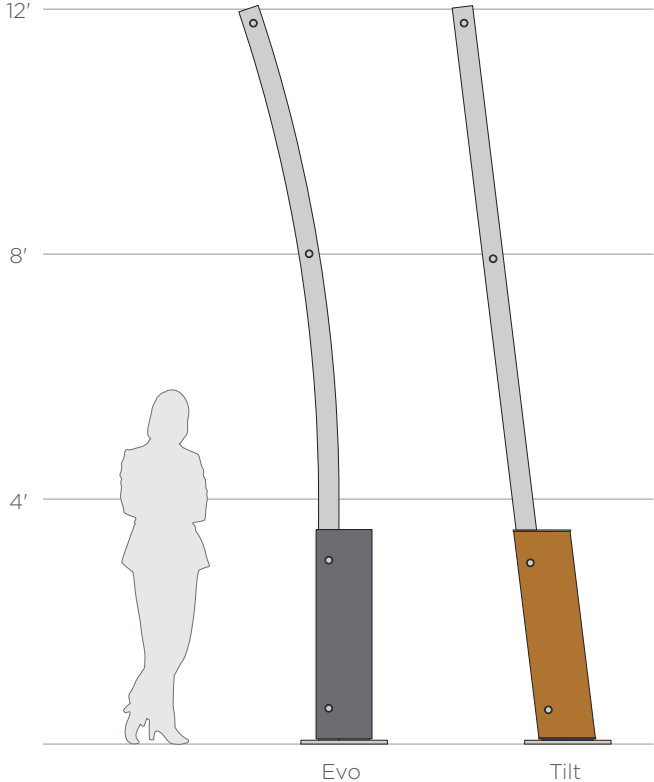
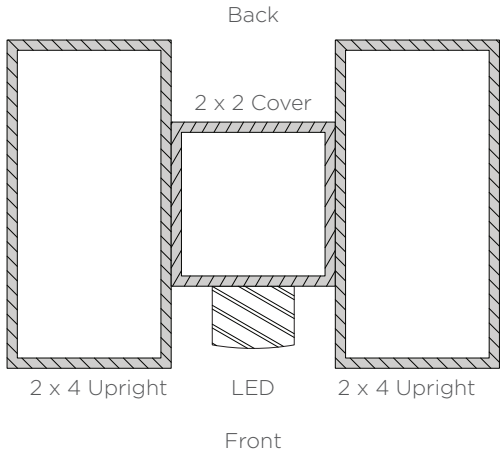
FINISHES AND MATERIALS: Metal pole shafts and base casting are polyester powder coat painted.

ELECTRICAL: A 5/16" - 18 grounding point is provided on the aluminum pole base. Wireway access is provided through a NEC compliant handhole with a flush mounted, gasketed cover plate. 1,260 total lumens for 3300K color option.

HARDWARE: All hand hole fasteners and luminaire bracket arm hardware are stainless steel. Anchor bolt kits are ASTM F1554 grade 55 steel with galvanized steel hex nuts and washers.



Standard Output		Medium Output		High Output	
Lumens ⁽¹⁾	Watts	Lumens ⁽¹⁾	Watts	Lumens ⁽¹⁾	Watts
1,296	18	2,376	36	3,528	60



ORDERING GUIDE: EXAMPLE: EVO-LED-12-C4-125-L30MO-P1/56-120-STD



1	Series Evo Tilt	6	Light Color 2700K 3000K 3500K 4000K Amber Blue Green Red Color Changing ⁽²⁾	8	Panel Material Wood (specify color) ⁽³⁾ Aluminum (specify color) ⁽³⁾ Weathering Steel
EVO TILT		L27 L30 L35 L40 AMB BLU GRN RED RGB		P1/S* P2/C* WS	
2	Light Source Linear LED	7	Light Source⁽³⁾ Standard Output Mid Output High Output	9	Voltage 120V 277V
LED		SO MO HO		120 277	
3	Pole Height 12'			10	Options GFCI Box
12				GFCI	
4	Pole Finish See color options on finishes technical sheet Custom Color			11	Special Standard Modified
C*				STD MOD	
CSM					
5	Wall Thickness 0.125" wall				
125					

1. Consult factory for RGB color control options
 2. Leave output section blank for non-white light color temperatures.
 3. See color options on finishes technical sheet.