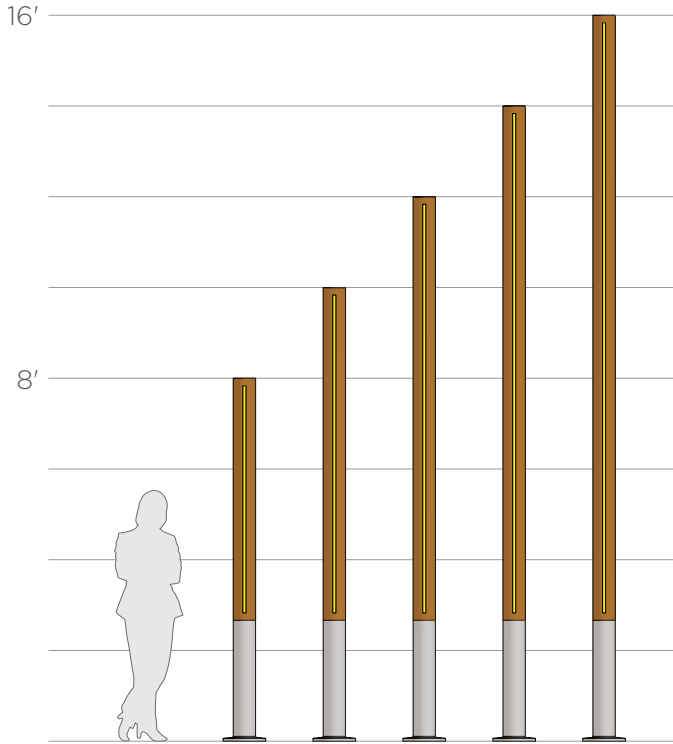


FIXTURE TYPE: _____

PROJECT NAME: _____



Glulam solid wood and aluminum pole available in 8' – 16' heights with decorative LED strip.

FEATURES:

- Round extruded aluminum pole base with flush handhole cover held with countersunk stainless steel fasteners
- Smooth, dot free lumination
- 90+ CRI
- Multiple static color options and color changing RGB available
- Integral power supply

SPECIFICATIONS:

HOUSING: Solid wood pole is assembled through glulam construction and precision machined using CNC technology. An electrical raceway is provided in the pole's center for wiring. Laminations measure no more than 2" in thickness. Adhesive complies with ASTM D-2559 glulam construction specifications for extreme exposed weather conditions, is waterproof and rated for wet or dry use exposure.

Glulam wood shaft is fastened to aluminum pole base welded to a 3/4" thick aluminum anchor bolt base. Anchor bolt kit includes (4) 3/4" hot dip galvanized anchor bolts and fasteners and ridged concrete pour template.



ELECTRICAL: Powered by a 90-305VAC primary/24VDC secondary integral power supply. System is 0-10V dimmable. Constructed with a US and Canada UL listed luminaire. Minimum -4°F operating temperature.

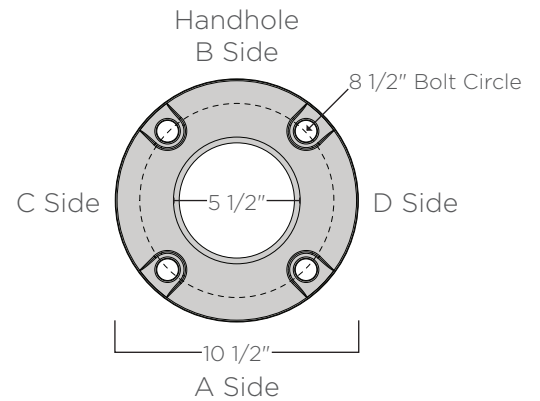
OPTICAL SYSTEM: Available in 2700K, 3000K, 3500K, 4000K color temperatures with smooth, dot free illumination. Consult factory for other lumen outputs. Calculated L70 > 40,000 hours.

FINISHES AND MATERIALS: Wood pieces are finished with a low VOC waterborne matte exterior finish containing UV and mildew inhibitors. All exterior aluminum parts are polyester powder coat painted to AAMA-2604 standards. [Care and Maintenance](#)

HARDWARE: All hand hole fasteners and luminaire bracket arm hardware are stainless steel. Anchor bolt kits are ASTM F1554 grade 55 steel with galvanized steel hex nuts and washers.

FIXTURE MOUNTING: Fixtures mount either by 2 3/8", 2 7/8", 3 1/2", or 4" diameter by 4" tall tenon or drill mount for arm brackets. Consult factory for other tenon sizes. Bolt mounted luminaires must use stainless steel hardware.

Height	Standard Output		Medium Output		High Output	
	Lumens ⁽¹⁾	Watts	Lumens ⁽¹⁾	Watts	Lumens ⁽¹⁾	Watts
8'	540	8	990	15	1470	25
10'	756	11	1386	21	2058	35
12'	972	14	1782	27	2646	45
14'	1188	17	2178	33	3234	55
16'	1404	20	2574	39	3822	65



ORDERING GUIDE: EXAMPLE: BOL-LED-14-AC-L3050-S4-C3-UNV-BD-STD



1
BOL
2
LED
3
8
10
12
14
16
4
A
B
C
D

Series
Bol
Light Source
Linear LED
Height
8'
10'
12'
14'
16'
Illumination
A Side
B Side
C Side
D Side

5
L27
L30
L35
L40
AMB
BLU
GRN
RED
RGBW/**
6
SO
MO
HO
7
S*
8
C*
CSM

Light Color
2700K
3000K
3500K
4000K
Amber
Blue
Green
Red
Color Changing ⁽²⁾
Light Source⁽³⁾
Standard Output
Mid Output
High Output
Wood Finish
See color options on finishes technical sheet
Metal Finish
See color options on finishes technical sheet
Custom Color

9
UNV
10
LIN
<i>Tenon</i>
T2384
T2784
T3124
T4004
TXXX
<i>Drill</i>
D1
D2
D3
D4
11
BD
BC
12
STD

Voltage
120-277VAC
Fixture Mounting⁽⁴⁾
Structura Lineal
2 3/8" x 4" Tenon
2 7/8" x 4" Tenon
3 1/2" x 4" Tenon
4" x 4" Tenon
Specify other Tenon
1 Drill Location
2 Drill Locations
3 Drill Locations
4 Drill Locations
Anchor Bolts
Bolt Down Anchors (recommended)
Traditional Anchors with Base Cover
Special
Standard

1. Lumen output based upon 3000K CCT.
 2. RGBW can be specified with 2700, 3000, 3500, or 4000K. Consult factory for RGBW color control options.
 3. Leave output section blank for non-white light color temperatures.
 4. Leave section blank if no additional fixture mounting is required. Height subject to change based upon additional fixture mounting.