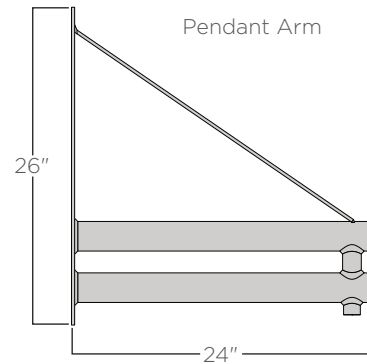
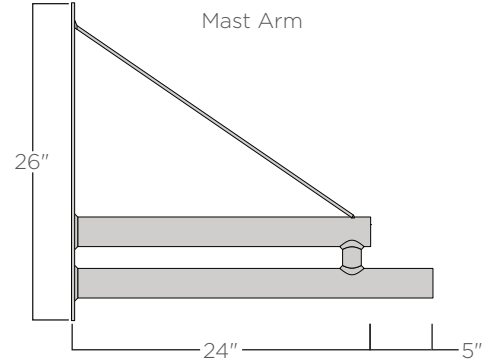


FIXTURE TYPE: _____

PROJECT NAME: _____



Plaza arm shown on Beam pole with mast arm mounted luminaire (by others).



SPECIFICATIONS:

CONSTRUCTION: Arm is a weldment of 6061-T6 aluminum tubes to a 6061-T6 aluminum backplate with 6061-T6 aluminum tie plate.

FINISHES AND MATERIALS: All exterior aluminum parts are polyester powder coat painted to AAMA-2604 standards. [Care and Maintenance](#)

ELECTRICAL: Electrical raceway through mounting tube to wire chase inside the pole.

HARDWARE: All luminaire hardware is stainless steel.

FIXTURE MOUNTING: Arm is made for 2 3/8" slip fit fixtures. Pendant mounting thread size to be specified.

ORDERING GUIDE: EXAMPLE: PLAZA-MAST-24-C4-SQR

| | | | | |
|-------|---|----|---|---|
| PLAZA | | 24 | | |
| 1 | 2 | 3 | 4 | 5 |

| | | | | | | | |
|--------------|----------------|-----------|---------------|------------|---|-------------|-----------------|
| 1 | Series | 3 | Length | 4 | Metal Finish | 5 | Mounting |
| PLAZA | Plaza | 24 | 24" | C* | See color options on finishes technical sheet | RND | Round Pole |
| 2 | Fixture | | | CSM | Custom Color | SQR | Square Pole |
| MAST | Mast Arm | | | | | WALL | Wall Mount |
| PEN | Pendant | | | | | | |