

Pipe Round Steel Poles Designed for Catenary Systems

FIXTURE TYPE: _____

PROJECT NAME: _____



Shown with catenary mounting and cables provided by Structura.

Straight steel pipe upright for pedestrian or roadway fixtures and catenary system loading

FEATURES:

- Roadway or pedestrian pole heights up to 30'
- Available in multiple sizes and wall thickness based upon the loading requirements
- Fixture mounting with drill pattern, tenon, or mast arm

SPECIFICATIONS:

CONSTRUCTION: Formed A500 structural steel pipe welded to an A572 steel baseplate with welded on steel padeyes for catenary systems.

ELECTRICAL: Wireway access is provided through a gasketed NEC compliant handhole with grounding provisions.

FINISHES AND MATERIALS: All metal parts are polyester powder coat painted to AAMA-2604 standards. [Care and Maintenance](#)

HARDWARE: All fasteners and hardware are stainless steel. Anchor bolt kits are ASTM F1554 grade 55 steel with galvanized steel hex nuts and washers.

FIXTURE MOUNTING: Fixtures mount to pole from bolt pattern, tenon top, horizontal mast arm, or using one of Structura's arm options.

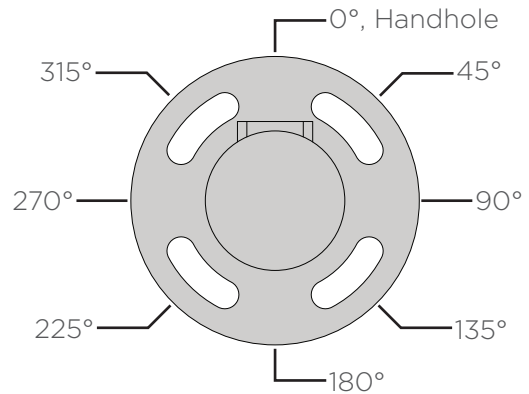


Shown with catenary mounting and cables provided by Structura.

Catalog Number			
PIPE-	-	-	-STD
Callout	Height	Angle	Mounting Type

Ordering Example

Catalog Number			
PIPE-18-8-S-C7-FIX1-CAT2-BC-STD			
Callout	Height	Angle	Mounting Type
FIX1	16	0°	Bolt Pattern
CAT1	17	135°	Padeye
CAT2	17	225°	Padeye



ORDERING GUIDE: EXAMPLE: PIPE-18-5-C7-FIX1-CAT2-BC-STD



1	Series	5	Wall	8	Padeye Quantity
PIPE	Pipe	S	Standard	CAT1	1
2	Shaft Shape	T	Thick	CAT2	2
S	Straight	6	Pole Finish	CAT3	3
T	Tiered	C*	See color options on finishes technical sheet	CAT*	Specify
3	Pole Height	CSM	Custom Color	9	Options
10	10'	7	Fixture Quantity	BNR ⁽²⁾	Banner Arms ⁽²⁾
**	Specify	FIX1	1	GALV	Galvanization ⁽³⁾
30	30'	FIX2	2	GFCI	GFCI Box
4	Pole Size⁽¹⁾	FIX3	3	TIER	Tiered
4	4.5" Round	FIX*	Specify	VD	Vibration Damper
5	5.6" Round			10	Anchor Bolts
6	6.6" Round			BC	Traditional Anchors with Base Cover
**	To Be Determined			TA	Traditional Anchor Bolts
				11	Special
				STD	Standard

1. Pole sizing specification for non-catenary system poles. Catenary pole sizing to be determined during engineering. Contact Structura for allowable EPA loading.
 2. Consult factory for allowable banner size based upon EPA loading.
 3. Due to the nature of galvanization, some surface smoothness imperfections can be present.