

Tandem Bollard

Tandem Family Aluminum Bollard

STRUCTURA

FIXTURE TYPE: _____

PROJECT NAME: _____



Shown with 3rd party luminaire mounting option.

Aluminum traffic bollard with wood accent panels.

FEATURES:

- Designed to coincide with the Tandem light poles
- Available with wood or painted aluminum accent panels
- Easily customizable for duplex receptacle and step light mounting
- Concealed mounting hardware

SPECIFICATIONS:

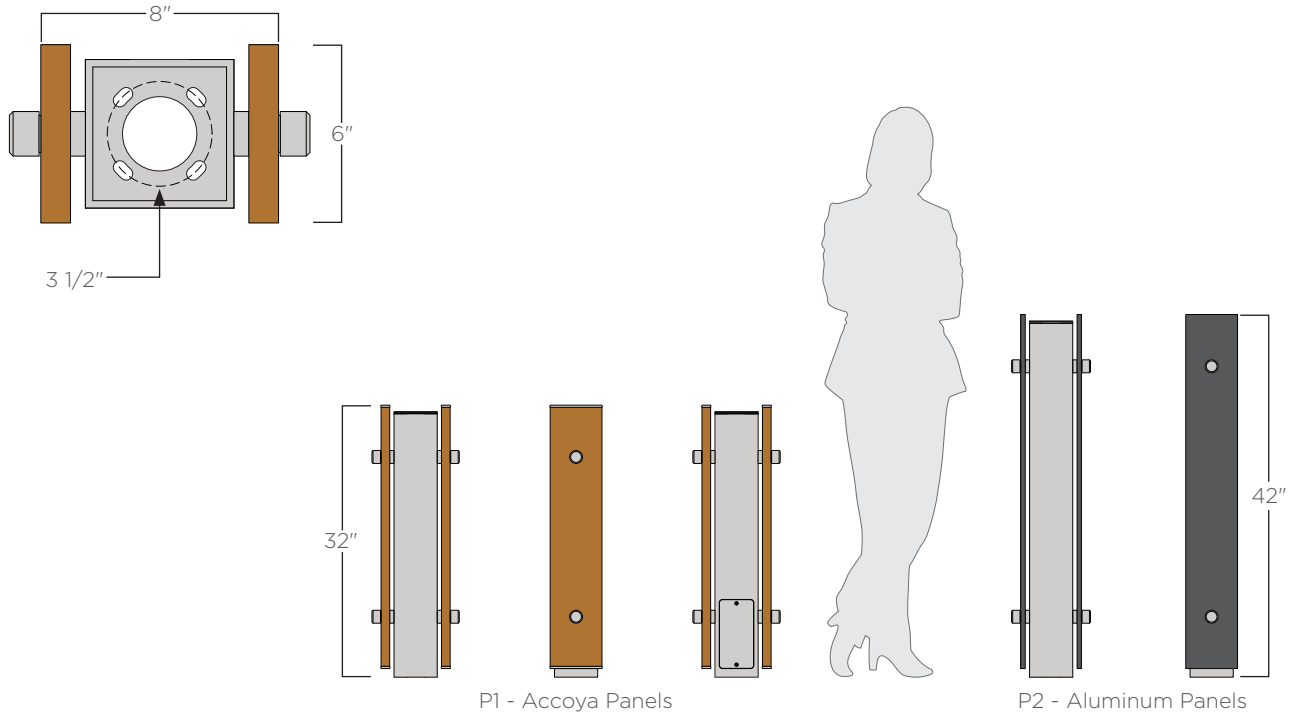
CONSTRUCTION: Aluminum housing comprised of 6061-T6 extrusion with 6061-T6 baseplate and web plates. Handhole access on back and top of bollard.

FINISHES AND MATERIALS: All exterior aluminum parts are polyester powder coat painted to AAMA-2604 standards. Wood accent panels are finished with a low VOC waterborne matte exterior finish containing UV and mildew inhibitors. [Care and Maintenance](#)

HARDWARE: All luminaire hardware is stainless steel. Anchor bolt kit is hot dipped galvanized.



Shown with GFCI receptacle option and in-use cover.



ORDERING GUIDE: EXAMPLE: TBL-42-C5-P1/S3-UNV-GFCI(3F/3B)-STD



1	Series	3	Metal Finish	5	Options
TBL	Tandem Bollard	C*	See color options on finishes technical sheet	GFCI(*)	GFCI Box(Location Callout) ⁽²⁾
2	Overall Height	CSM	Custom Color	LUM/O/30	Luminaire/Open/3000K ⁽³⁾
32	32"	4	Panel Material	LUM/O/40	Luminaire/Open/4000K ⁽³⁾
42	42"	P1/S*	Wood (specify color) ⁽¹⁾	LUM/L/30	Luminaire/Louvered/3000K ⁽³⁾
		P2/C*	Aluminum (specify color) ⁽¹⁾	LUM/L/40	Luminaire/Louvered/4000K ⁽³⁾
		WS	Weathering Steel	6	Special
				STD	Standard
				MOD	Modified

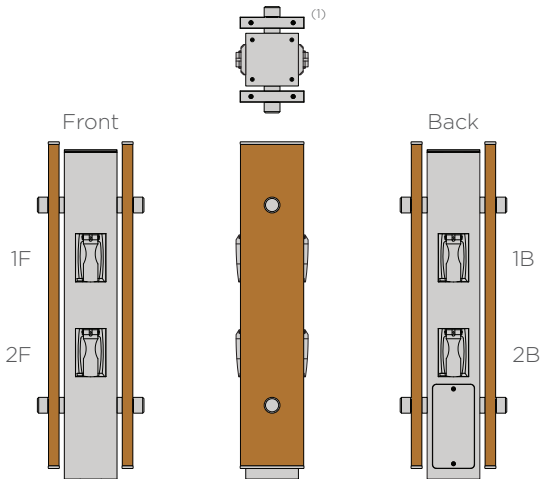
1. See color options on finishes technical sheet.
 2. GFCI option comes with an single gang box and a wet location or in-use cover; outlet is supplied by others. See page 202 for GFCI location callout.
 3. Contact Structura for luminaire option information.

FIXTURE TYPE: _____

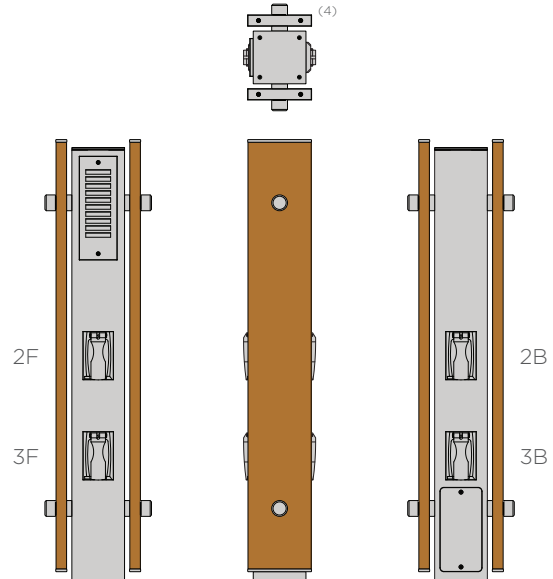
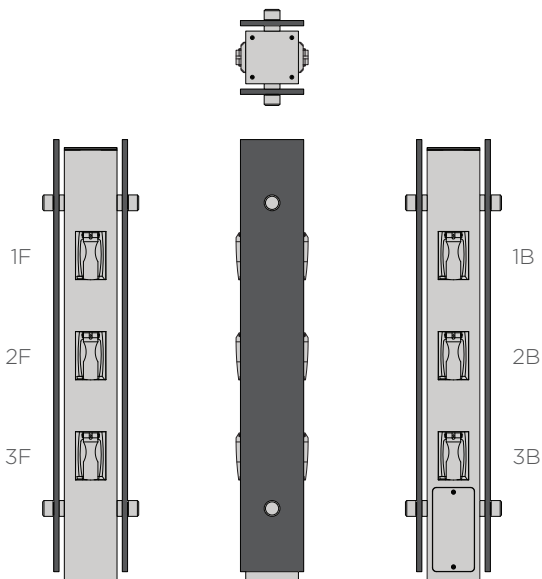
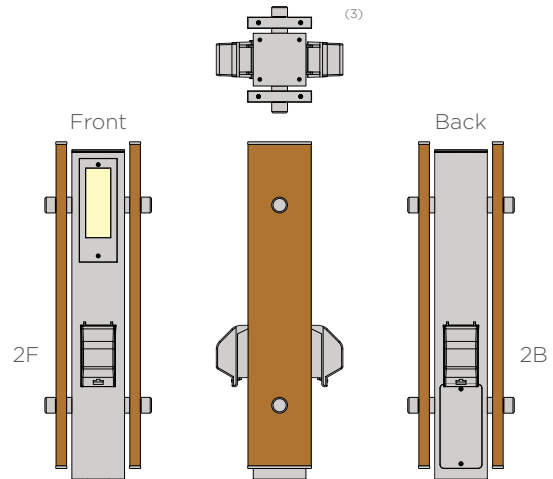
PROJECT NAME: _____

GFCI Location Callout

GFCI Option



GFCI Option with Luminaire Option⁽²⁾



1. Shown with wet location covers.
 2. Luminaire option uses GFCI spots 1F and 1B.
 3. Shown with in-use covers open luminaire cover.
 4. Shown with wet location covers and louvered luminaire.