

FIXTURE TYPE: _____

PROJECT NAME: _____



SPECIFICATIONS:

CONSTRUCTION: Housing comprised of casted aluminum die castings with machined aluminum 6061-T6 mounting brackets.

ELECTRICAL: Powered by an integral 120-277VAC, 0-10V dimmable constant current driver with built in 4kV surge protection. Operating temperature of -22°F to 122°F.

OPTICAL SYSTEM: COB LED has solderless connections for field upgradability. Available in color temperature of 2700, 3000, 3500, and 4000K, >80 CRI standard. Optical reflectors available in spot, 15°, 20°, 40°, and 70° spot distributions. Covered by clear tempered glass. Consult factory for additional lumen outputs, color temperatures, or 90 CRI.

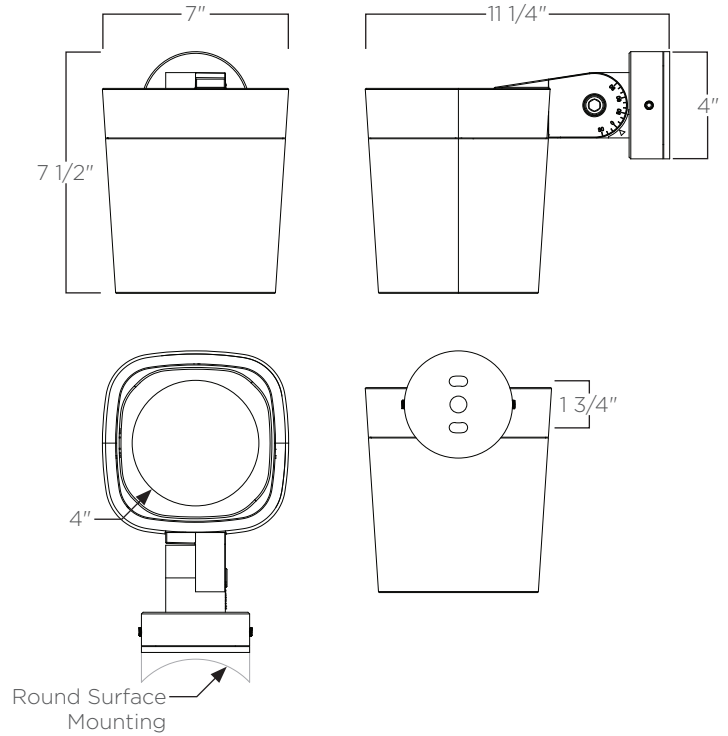
FINISHES: All exterior aluminum parts are polyester powder coat painted to meet AAMA-2604 standards. See Structura's finish options for available standard finishes. [Care and Maintenance](#)

LISTINGS & RATINGS: Luminaire CSA listed according to CSA C22.2 No. 250.0-21/UL Standard 1598, 5th edition. Suitable for wet locations. LM-80 test reported L70 > 66,000 hours. IP66 rated.

WARRANTY: 5-year warranty on LED and drivers.



			Output at 3000K, 80CRI		
Output	Wattage	Optic	Lumen	Efficacy	Candela
SO	40	Spot	2380	59.5	26,394
SO	40	15	4695	117.4	38,670
SO	40	25	4356	108.9	12,452
SO	40	35	4357	108.9	7,399
SO	40	70	4779	119.5	3,833
HO	60	Spot	3469	57.7	37,097
HO	60	15	6656	110.7	55,785
HO	60	25	6067	100.9	16,382
HO	60	35	6423	106.8	12,858
HO	60	70	6707	111.5	5,537



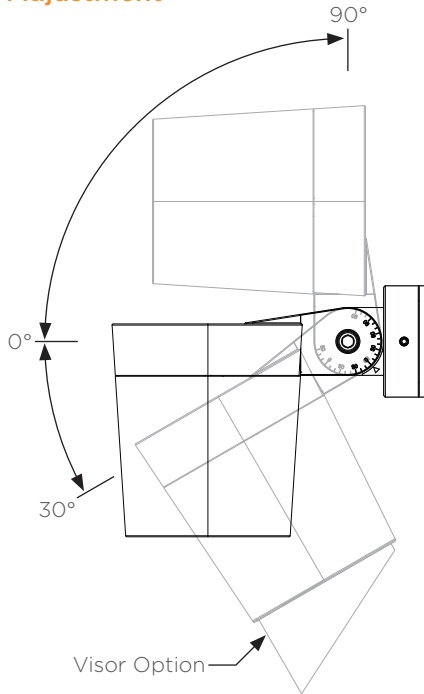
ORDERING GUIDE: EXAMPLE: FELIX-LARGE-L30HO-35-C5-UNV-R/5.5-HEX-STD



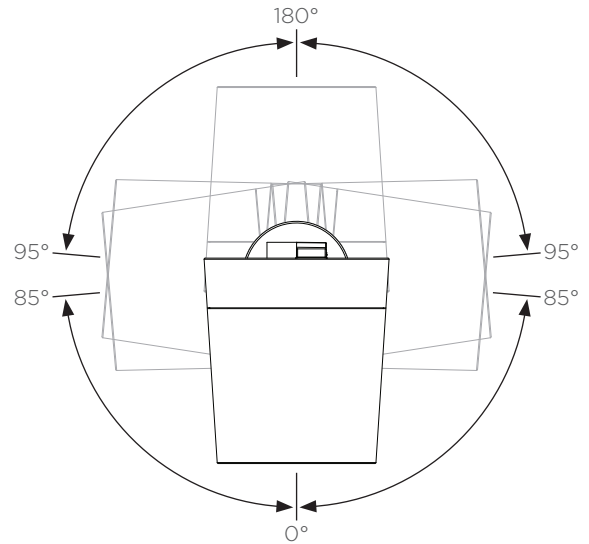
1	Series	5	Distribution	8	Mounting
FELIX	Felix	SP	Spot	F	Flat Surface
2	Size	15	14° Beam	R/*	Round Surface/Specify Diameter
LARGE	Large	25	24° Beam	9	Option
3	Color Temperature⁽¹⁾	35	37° Beam	90	>90 CRI ⁽²⁾
L27	2700K	70	67° Beam	HEX	Hexcell Louver
L30	3000K	6	Metal Finish	VSR	Visor
L35	3500K	C*	See color options on finishes technical sheet	10	Special
L40	4000K	CSM	Custom Color	STD	Standard
4	Output⁽¹⁾	7	Voltage		
SO	Standard Output	UNV	120-277V		
HO	High Output				

1. Contact factory for alternative color temperatures or output options.
 2. Standard CRI is >80.

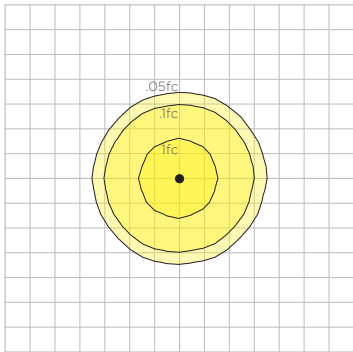
Vertical Adjustment



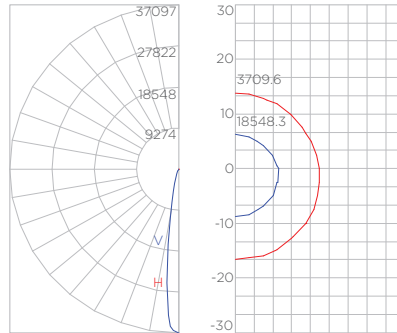
Axial Adjustment



Spot Distribution



FELIX-LARGE-L30HO-SP - 10' AFG
BUG Rating: B3-U1-G0

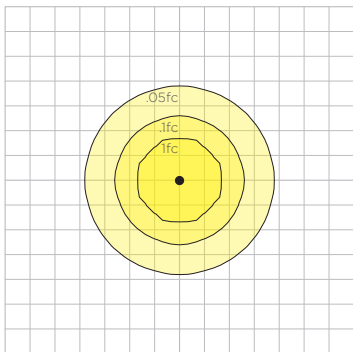


Max Candela = 37097, 50% = 18548, 10% = 3710
Located at horizontal angle = 0, vertical angle = 0
H = horizontal axial; V = vertical axial

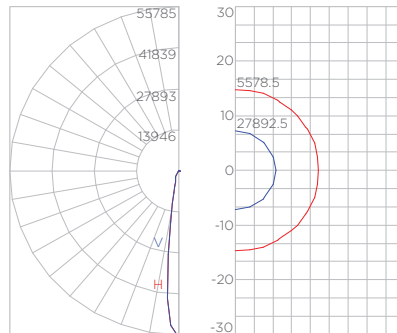
Intensity Distribution		
Height	Beam Diameter	Max Footcandles
10'	2.6'	367.2
15'	3.9'	163.2
20'	5.2'	91.8
25'	6.5'	58.8
30'	7.8'	40.8
35'	9.1'	30.0
40'	10.4'	23.0

Beam Distribution: 14.8°

15° Distribution



FELIX-LARGE-L30HO-15 - 10' AFG
BUG Rating: B4-U0-G0

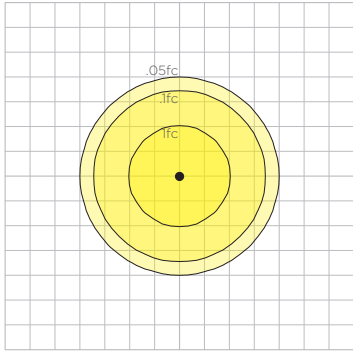


Max Candela = 55785, 50% = 27893, 10% = 5579
Located at horizontal angle = 0, vertical angle = 0
H = horizontal axial; V = vertical axial

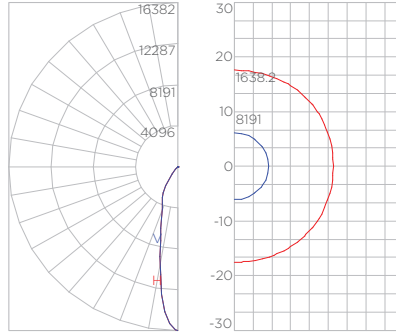
Intensity Distribution		
Height	Beam Diameter	Max Footcandles
10'	2.5'	557.9
15'	3.7'	247.9
20'	5.0'	139.5
25'	6.2'	89.3
30'	7.5'	62.0
35'	8.7'	45.5
40'	10.0'	34.9

Beam Distribution: 14.2°

25° Distribution



FELIX-LARGE-L30HO-25 - 10' AFG
BUG Rating: B3-U0-G0

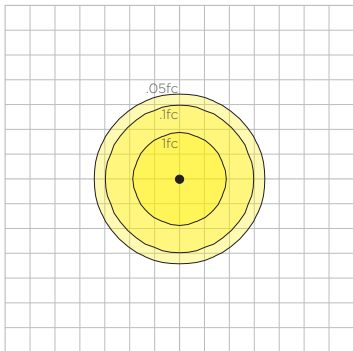


Max Candela = 16382, 50% = 8191, 10% = 1638
Located at horizontal angle = 0, vertical angle = 0
H = horizontal axial; V = vertical axial

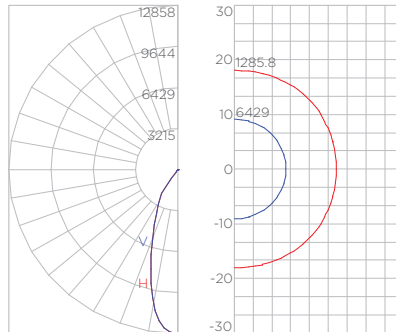
Intensity Distribution		
Height	Beam Diameter	Max Footcandles
10'	4.3'	163.8
15'	6.5'	72.81
20'	8.7'	41.0
25'	10.8'	26.2
30'	13.0'	18.2
35'	15.1'	13.4
40'	17.3'	10.2

Beam Distribution: 24.2°

35° Distribution



FELIX-LARGE-L30HO-35 - 10' AFG
BUG Rating: B4-U0-G0

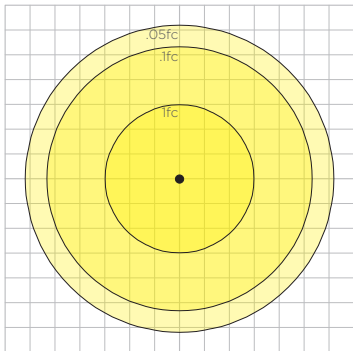


Max Candela = 12858, 50% = 6429, 10% = 1286
Located at horizontal angle = 0, vertical angle = 0
H = horizontal axial; V = vertical axial

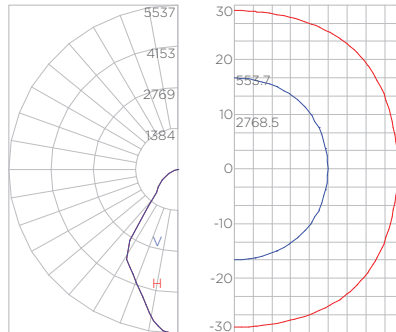
Intensity Distribution		
Height	Beam Diameter	Max Footcandles
10'	6.6'	128.6
15'	9.9'	57.2
20'	13.2'	32.2
25'	16.5'	20.6
30'	19.8'	14.3
35'	23.1'	10.5
40'	26.4'	8.0

Beam Distribution: 36.5°

70° Distribution



FELIX-LARGE-L30HO-70 - 10' AFG
BUG Rating: B3-U0-G



Max Candela = 5537, 50% = 2769, 10% = 554
Located at horizontal angle = 0, vertical angle = 0
H = horizontal axial; V = vertical axial

Intensity Distribution		
Height	Beam Diameter	Max Footcandles
10'	13.2'	55.4
15'	19.8'	24.6
20'	26.4'	13.8
25'	33.0'	8.9
30'	39.6'	6.2
35'	46.2'	4.5
40'	52.8'	3.5

Beam Distribution: 66.8°

[IES file download](#)