

Warnings

CAUTION—risk of fire and this product must be installed in accordance with the applicable installation code by a person familiar with the construction and operation of the product and the hazards involved.

Suitable for wet locations.

Mounting orientation must have light source facing down.

Electrical service must be disconnected during installation.

Proper grounding is required to protect against shock and proper operation.

Tools Required

- 5/32" Allen wrench
- 9/64" Allen wrench
- 5/64" Allen wrench
- 1-3/16" wrench
- 15mm wrench
- Wiring tools and connectors

Installation

Step 1: Turn off power to location.

Step 2: Ensure bolt pattern matches dimension shown in Figure A.

Step 3: Install fixed mounting bracket to pole using supplied (2) 1/4"-20 flat head screws as shown in Figure A. Poles supplied by others will require 1/4"-20 thread inserts supplied by others.

Step 4: Feed power cable through wire hole in pole.

Step 5: Thread pipe nut onto ball bracket and thread ball joint bracket onto mounting bracket. Secure with pipe nut.

Step 6: Place socket bracket onto ball bracket. Attach fixture to socket bracket using supplied (4) 8-32 socket cap screws with Belleville washers as shown in Figure B.

Step 7: Adjust fixture to desired position and secure with (4) 8-32 set screws.

Step 8: Push wire through cordgrip on fixed mounting bracket and tighten to secure.

Step 9: Make wire connections as shown below in Figure C. If 0-10V dimming is not required, terminate ends from driver.

Step 10: Turn power back on to location.

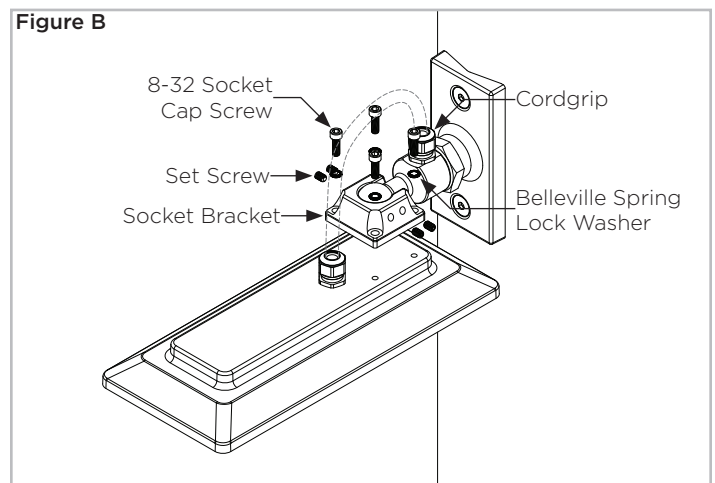
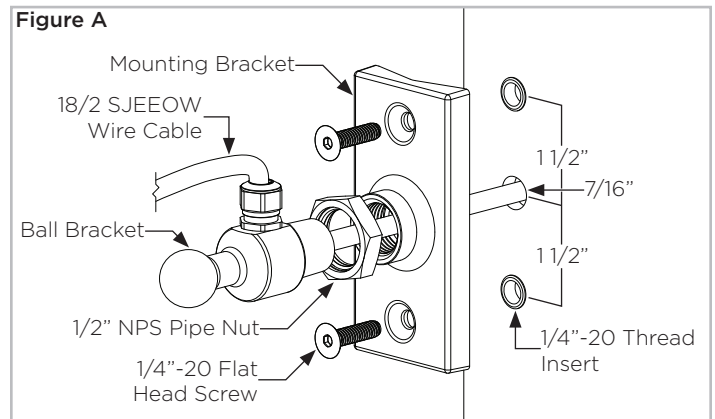
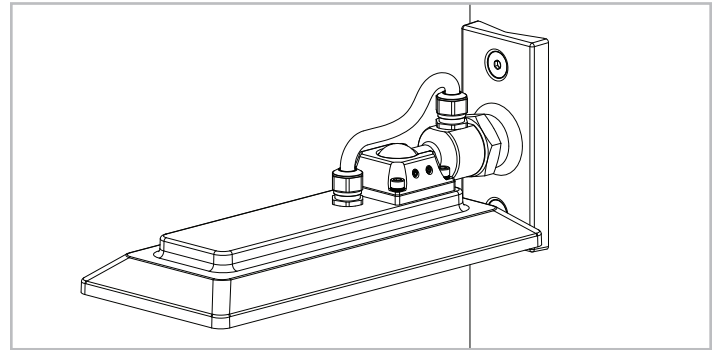


Figure C

