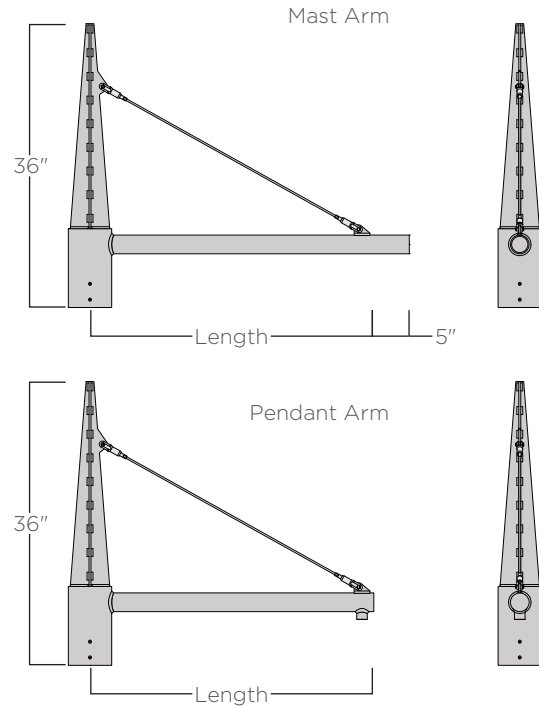


FIXTURE TYPE: _____

PROJECT NAME: _____



Luminaire by others.



SPECIFICATIONS:

CONSTRUCTION: Made from an aluminum weldment of 6061-T6 aluminum plates and 6061-T6 aluminum tubes with a stainless steel tie back rod support

FINISHES AND MATERIALS: All aluminum parts are polyester powder coat painted to AAMA-2604 standards.

ELECTRICAL: Electrical raceway through mounting tube to wire chase inside the pole.

HARDWARE: All luminaire hardware is stainless steel.

FIXTURE MOUNTING: Arm is made for 2 3/8" slip fit fixtures. Pendant mounting thread size to be specified. Available with single fixture mounting or double fixture mounting at 180°.

ORDERING GUIDE: EXAMPLE: CATE-SNG-MAST-48-C5-RND



1 CATE	Series Cate	3 MAST PEN	Fixture Mast Arm Pendant	5 C*	Metal Finish See color options on finishes technical sheet Custom Color
2 SNG DBL	Arm Single Double	4 24 36	Length 24" 36"	CSM 6	Mounting Round Pole Square Pole
				RND SQR	