

Felix-Mini

Installation Instructions

Warnings

CAUTION—risk of fire and this product must be installed in accordance with the applicable installation code by a person familiar with the construction and operation of the product and the hazards involved.

Suitable for wet locations.

Mounting orientation must have light source facing down.

Electrical service must be disconnected during installation.

Proper grounding is required to protect against shock and proper operation.

Tools Required

- 4mm Allen wrench
- 5mm Allen wrench
- Wiring tools and connectors

Installation

Step 1: Turn off power to location.

Step 2: Ensure drilled mounting pattern matches the bolt pattern as shown in Figure A and secure mounting plate with 5/16" hardware (by others when pole is not supplied by Structura).

Step 3: Place mounting knuckle over mounting plate with set screws aligned to notch in base shown in Figure B.

Step 4: Rotate the knuckle to the desired axial location (Figure C). Axial location must at least 5° from center of base notch.

Step 5: Secure axial location by tightening M8 set screws using 4mm Allen wrench (Figure D). Tighten to 24in-lbs.

Step 6: Adjust vertical rotation to desired position. Secure position by tightening M6 socket cap bolt using 5mm Allen wrench as shown in Figure E. Tighten to 60in-lbs.

Step 6: Connect luminaire wiring to incoming power and dimming (if applicable) as shown in Figure F diagram.

Step 7: Turn power on to location.

Figure A

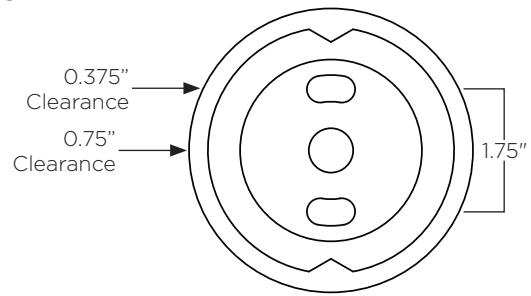


Figure B

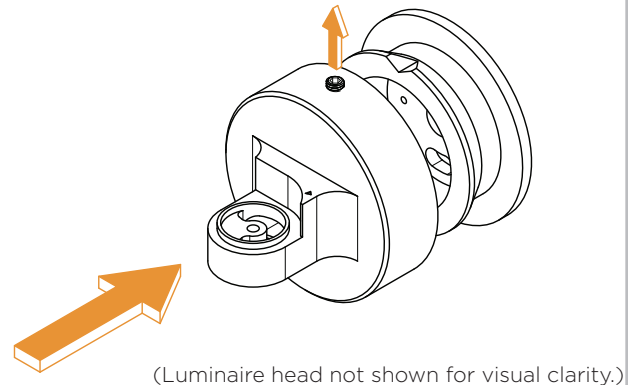


Figure C

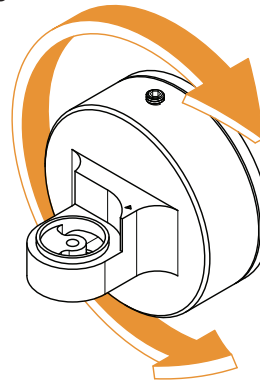


Figure D

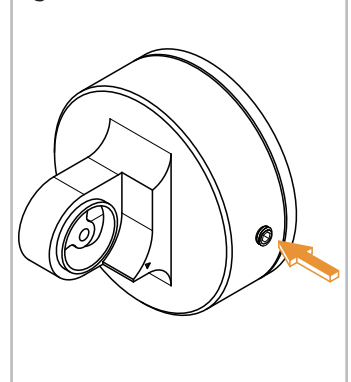


Figure E

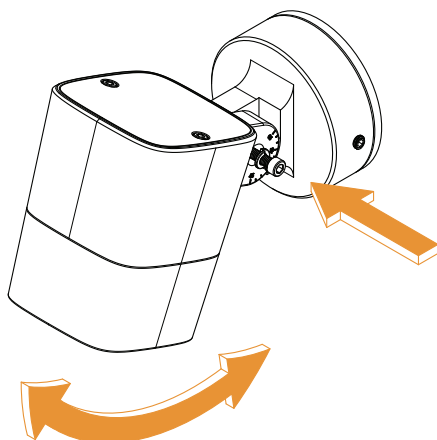


Figure F

120-277VAC
(White) AC/N
(Black) AC/L
(Green) Gnd

Standard integral driver luminaire lead

120-277VAC
(Green) Gnd
(Black) AC/L
(White) AC/N
(Violet) Dim+
(Pink) Dim-

(Blue) DC-
(Red) DC+

Driver

Remote driver option with 0-10v dimming