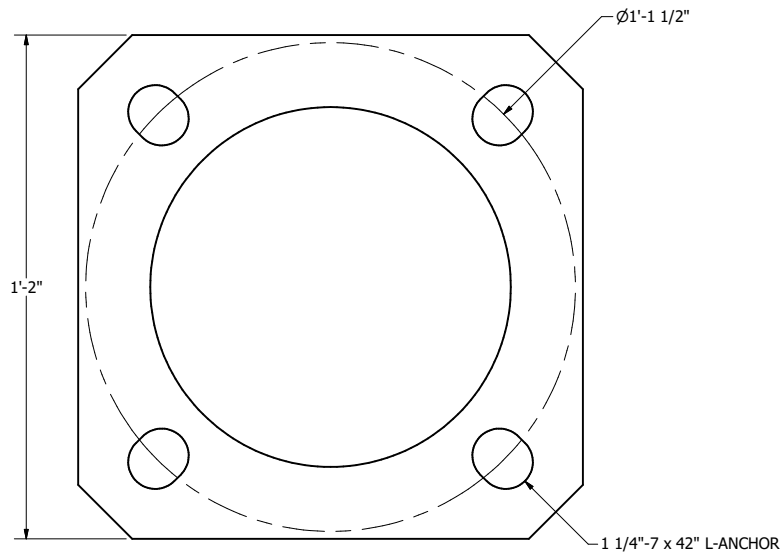
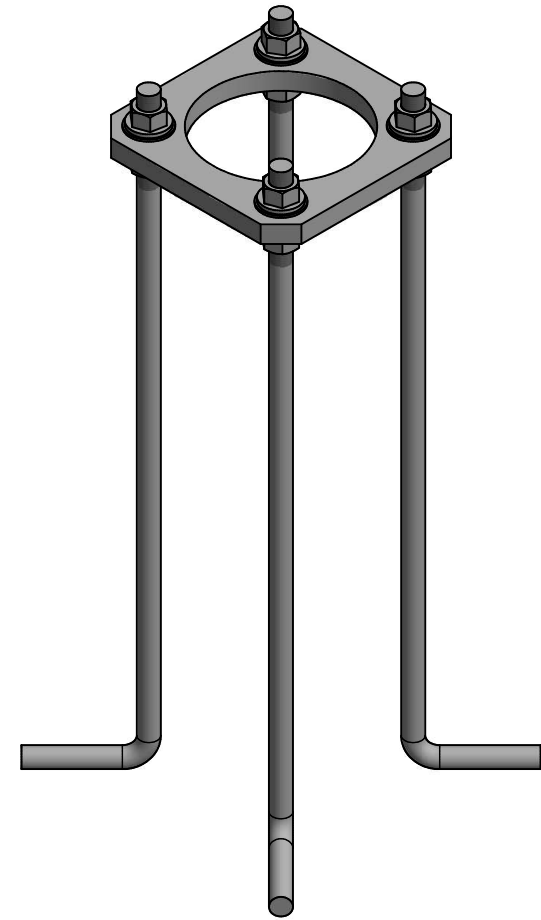


Reed-S and Reed-M



Reed-L



Typical Anchor Bolt Installation

STAMP

STRUCTURA

19922 W. 162nd Street phone 913.390.8787
 Olathe, KS 66062 projects@structura.com

Reed Poles

SHEET NUMBER

1 of 1

REVISED

DATE

8/22/2016

DRAWING

Reed - Anchor Bolt.idw