

### Warnings

CAUTION—risk of fire and this product must be installed in accordance with the applicable installation code by a person familiar with the construction and operation of the product and the hazards involved.

Suitable for wet locations.

Mounting orientation must have light source facing down.

Electrical service must be disconnected during installation.

Proper grounding is required to protect against shock and proper operation.

### Fasteners Provided

- (2) 3/8"-16 hex head bolts, stainless steel
- (2) 3/8" flat washers, stainless steel
- (2) 3/8"-16 flange nuts, stainless steel

### Tools Required

- 9/16" wrench or socket for 3/8" mounting bolts
- Wiring tools and connectors
- T20 pin-in-torx security bit

### Single Fixture Mounting

- Step 1: Turn off power to location.
- Step 2: Ensure drill pattern on pole matches drill pattern in Diagram A.
- Step 3: Run incoming wire to mounting location.
- Step 4: Remove handhole cover using T20 security bit to access wiring and mounting.
- Step 5: Fasten fixture to pole using (2) 3/8"-16 bolt with washers as shown in Diagram B. Torque bolts to 20lb-ft.
- Step 6: Connect incoming wire to fixture wire whip from fixture as shown in Diagram C. If 0-10V dimming is not required, terminate ends from wire whip.
- Step 7: Reinstall handhole cover.
- Step 8: Turn power back on to location.

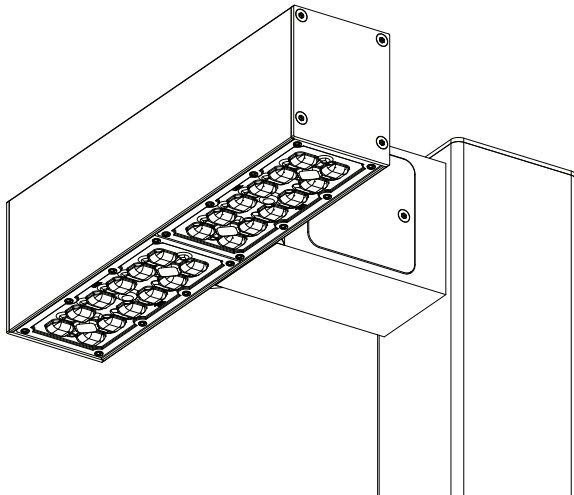


Diagram A

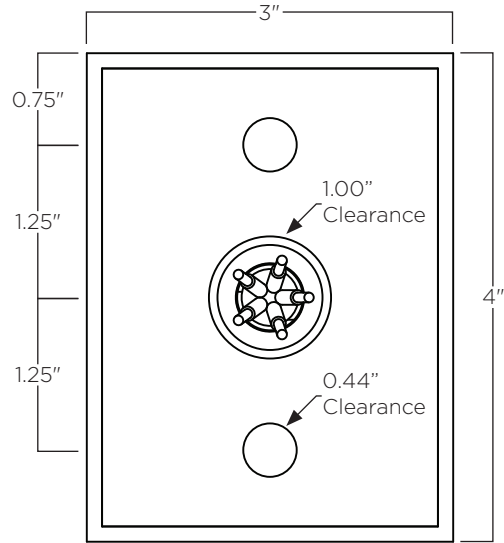


Diagram B

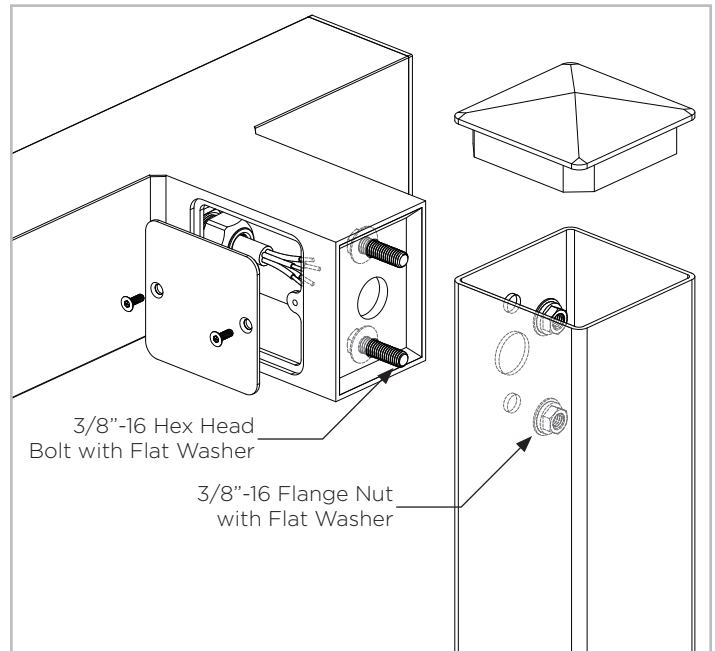


Diagram C

