

FIXTURE TYPE: _____

PROJECT NAME: _____



Glulam solid wood bollard with LED light source.

FEATURES:

- High power, low wattage LED light module
- Solid glulam wood construction
- Concealed anchor bolt base and mounting hardware

SPECIFICATIONS:

HOUSING: Solid wood bollard is assembled through glulam construction and precision machined using CNC technology. Adhesive complies with ASTM D-2559 glulam construction specifications for extreme exposed weather conditions and is waterproof and rated for wet or dry use exposure.

Glulam wood is fastened to a concrete anchor bolt base with concealed hardware accessible from top access plate. Anchor bolt kit includes (4) hot dip galvanized anchor bolts and fasteners and a ridged concrete pour template.

ELECTRICAL: Powered by a Class P 120-277VAC primary integral power supply. Standard output is 12W. Fixture is internally prewired to the electrical splice box located in the fixture base. System is 0-10V dimmable. Minimum -40°C operating temperature.

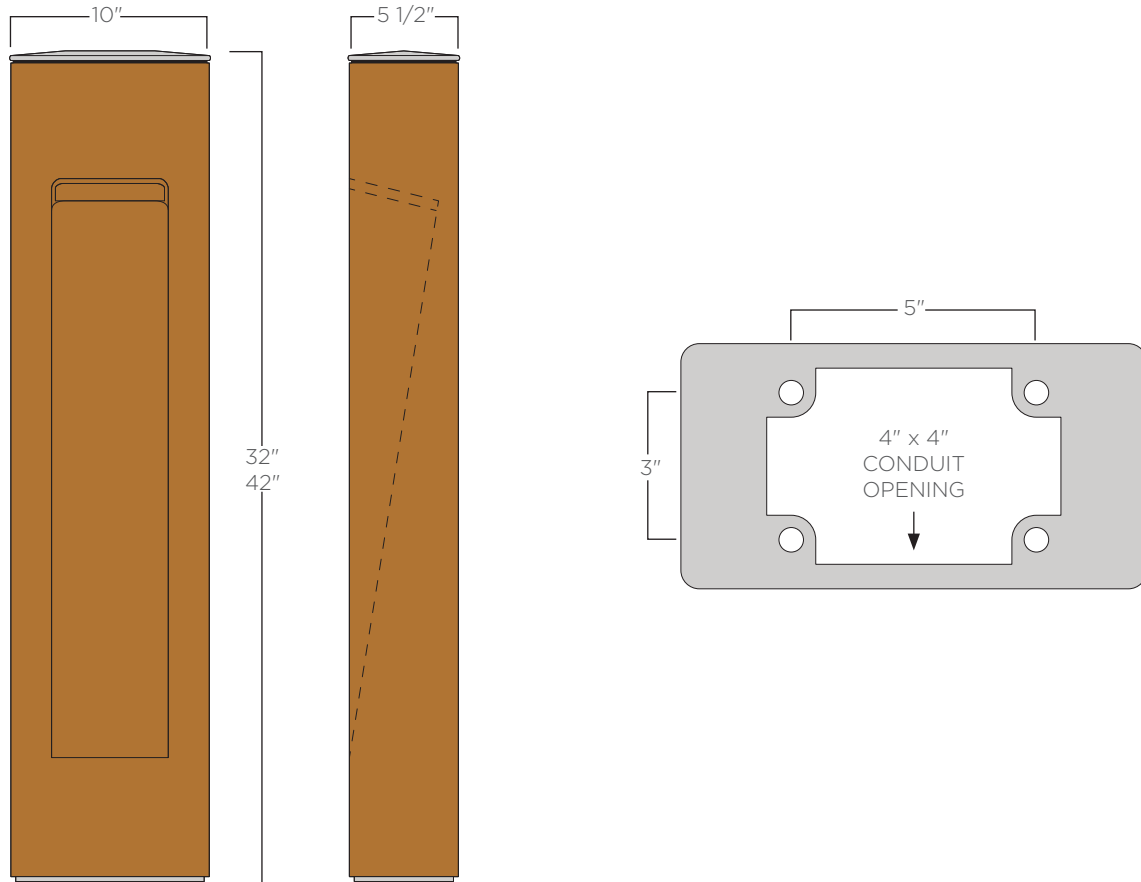
OPTICAL SYSTEM: LED boards have solderless connections for field upgradability. Available in 2700K, 3000K, 3500k and 4000K color temperatures with >90 CRI. Optics are UV resistant molded PMMA in Type III and IV distributions. Consult factory for additional lumen output, CCT, and optical distribution options.

FINISHES AND MATERIALS: Woods are finished with a low VOC waterborne matte exterior finish containing UV and mildew inhibitors. All aluminum parts are polyester powder coat painted. [Care and Maintenance](#)



HARDWARE: Fasteners are stainless steel. Anchor bolt kits are hot dip galvanized.

LISTINGS & RATINGS: Luminaire CSA listed according to CSA C22.2 No. 250.0-18/UL Standard 1598. Suitable for wet locations. LM-80 test reported L70 > 60,500 hours and calculated L70 > 154,000 hours.



ORDERING GUIDE: EXAMPLE: MAC-32-L3050-4-S6-C5-120-STD



1	Series
MAC	Mac
2	Overall Height
32 42	32" 42"
3	Color Temperature
L27 L30 L35 L40 AMB	2700K LED 3000K LED 3500K LED 4000K LED Amber

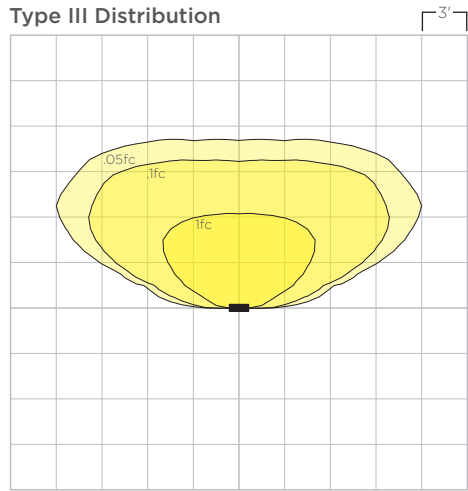
4	Light Source⁽¹⁾
SO	Standard Output
5	Distribution
3 4	Type III Type IV
6	Wood Finish
S*	See color options on finishes technical sheet

7	Metal Finish
C*	See color options on finishes technical sheet
CSM	Custom Color
8	Voltage
UNV	120-277V
9	Special
STD MOD	Standard Modified

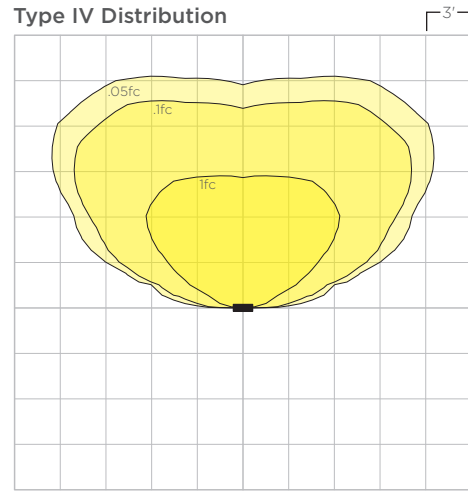
1. Consult factory for additional output options

FIXTURE TYPE: _____

PROJECT NAME: _____



MAC-42-L2750-3-S(X)-C(X)-UNV-STD



MAC-42-L2750-4-S(X)-C(X)-UNV-STD