

FIXTURE TYPE: _____

PROJECT NAME: _____



Formed steel pole arrangement

FEATURES:

- High allowable EPA allowing large quantity of fixture mounting
- Specify individually or as a cluster
- Tilted and bent variations
- Customizable luminaire mounts and locations

SPECIFICATIONS:

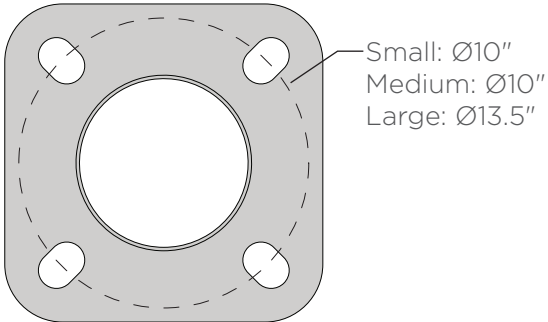
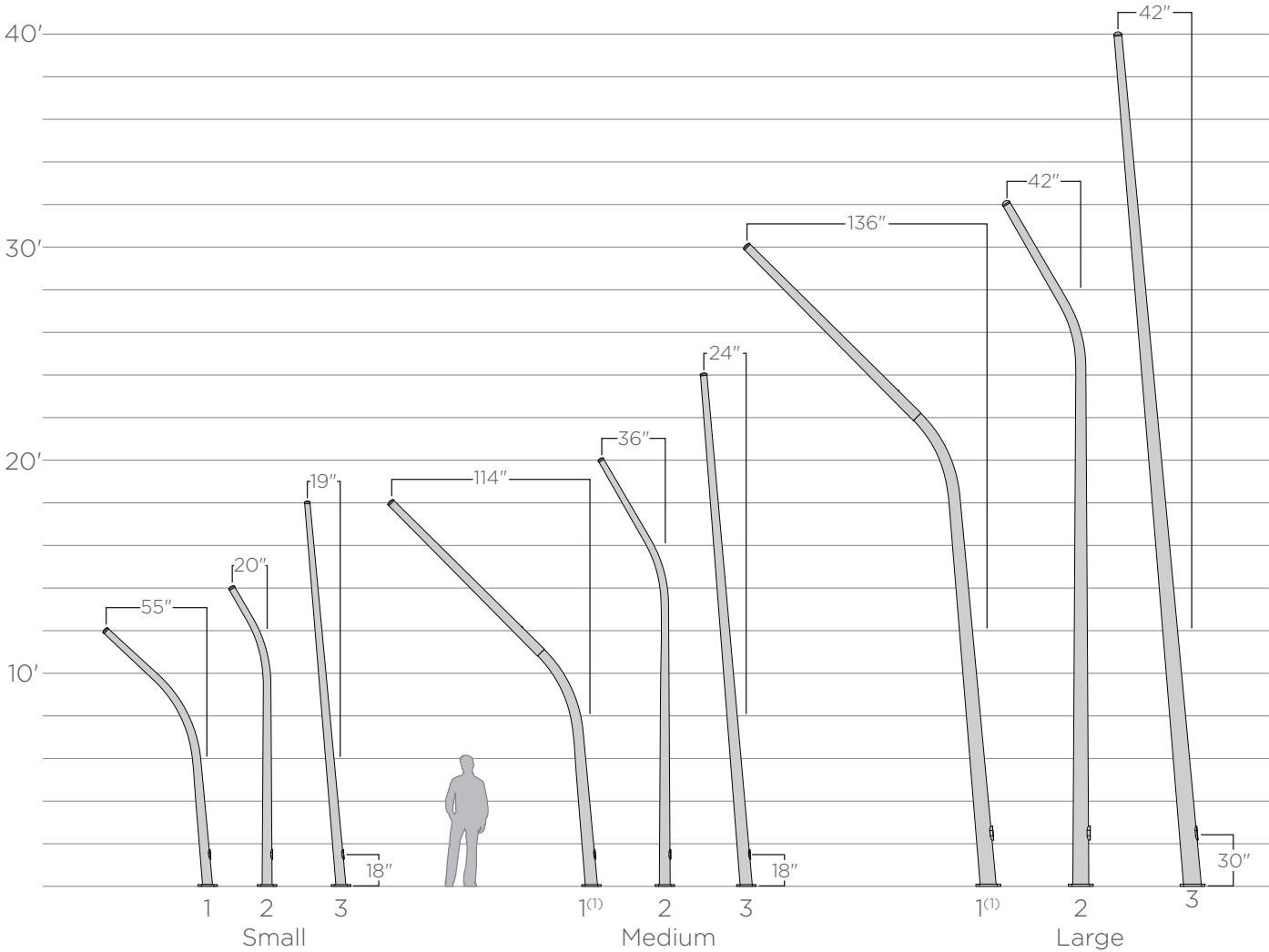
CONSTRUCTION: Steel shaft constructed of rolled steel plate.

FINISHES AND MATERIALS: All steel parts are polyester powder coat painted to AAMA-2604 standards. [Care and Maintenance](#)

HARDWARE: Anchor bolt kits are ASTM F1554 grade 55 steel with galvanized steel hex nuts and washers.

FIXTURE MOUNTING: Fixtures mount to specified tenon or with the use of threaded inserts. Standard tenons are 2-3/8" OD by 6" long. Consult factory for additional options.





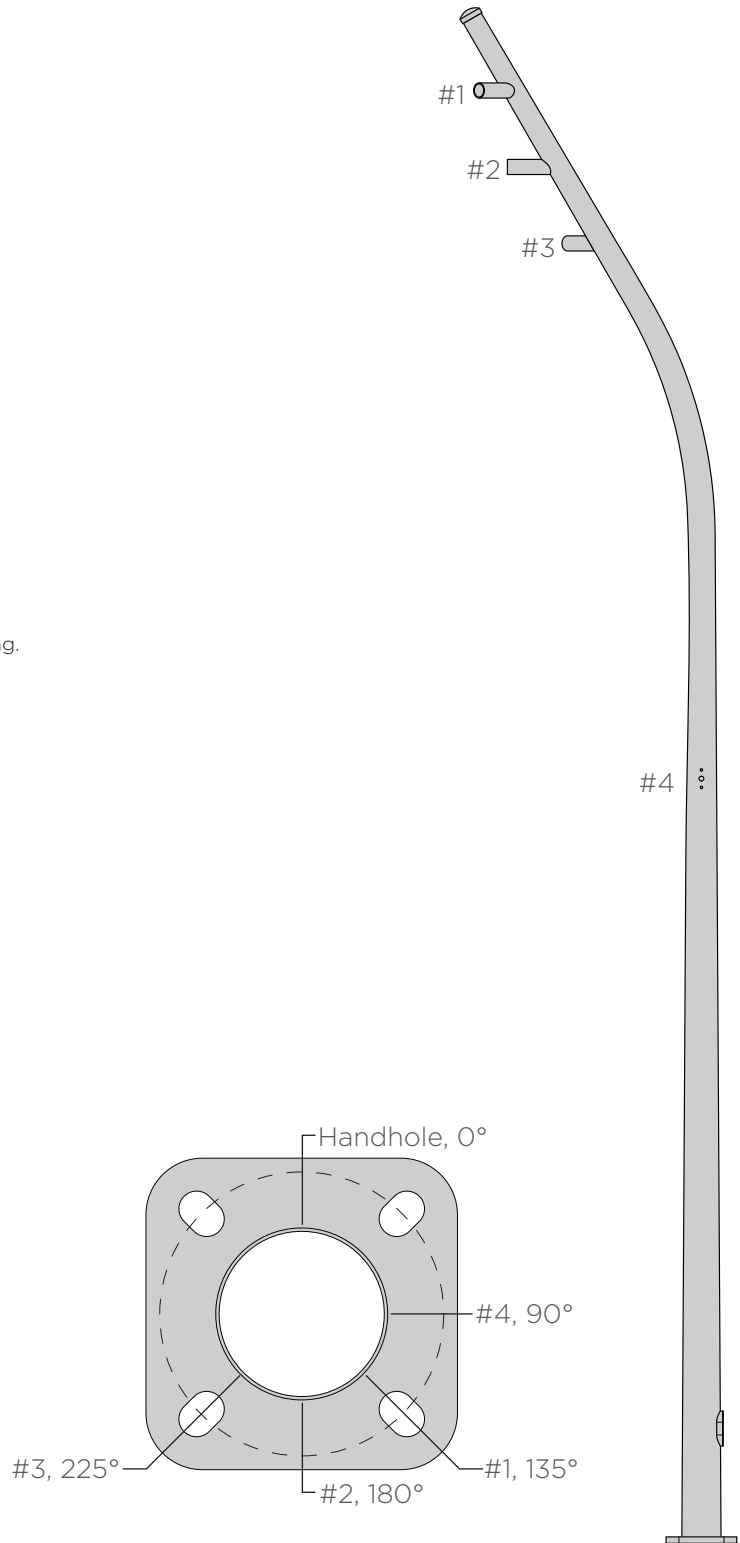
HOW TO ORDER

HOW TO ORDER:

Follow these steps below to order. Number designations match those found in the Ordering Guide.

1. Specify the product series.
2. Specify pole number.
3. Choose a powdercoat paint finish for pole finish. Custom colors are available. Indicate RAL color with the order or provide a paint chip for color match.
4. Specify number of fixture to mount to the pole.
5. Use the table to indicate fixture height, angle, and mounting. Angles available in 45° increments clockwise from the handhole at 0°.

Catalog Number			
REED-M-2-C3-4-STD			
Fixture	Height	Angle	Mounting
#1	19'	135°	2-3/8" Tenon
#2	18'	180°	2-3/8" Tenon
#3	17'	225°	2-3/8" Tenon
#4	10'	0°	Threaded Insert
#5			
#6			



FIXTURE TYPE: _____

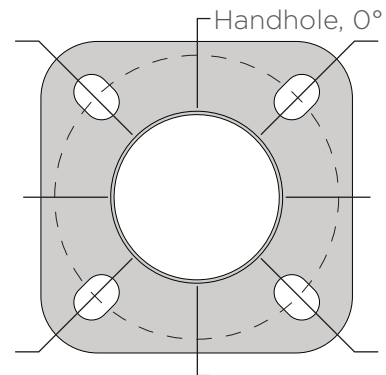
PROJECT NAME: _____

ORDERING GUIDE: EXAMPLE: REED-L-2-C7-5-BC-STD

REED							STD
1	2	3	4	5	6	7	8

1	Series	3	Pole S/M/L	5	Fixture Quantity
REED	Reed	1	12/18 ⁽¹⁾ /30 ⁽¹⁾	1	1
2	Size	2	14/20/32'	2	2
S	Small	3	18/24/40'	3	3
M	Medium	4	Pole Finish	4	4
L	Large	C1	Bone White	X	Specify
		C3	Grey	6	Options
		C6	Bronze	GALV	Galvanization ⁽²⁾
		C7	Jet Black	7	Anchor Bolts
				BC	Traditional Anchors with Base Cover
				TA	Traditional Anchor Bolts
				8	Special
				STD	Standard

Catalog Number			
Fixture	Height	Angle	Mounting
REED-	-	-	-
#1			
#2			
#3			
#4			
#5			
#6			



1. Reed Medium and Large Type 1 poles have a slip fit after curve.
 2. Due to the nature of galvanization, some surface smoothness imperfections can be present.