

FIXTURE TYPE: _____

PROJECT NAME: _____



Aluminum exterior/interior LED rectangular pendant.

FEATURES:

- Available in a wide variety of sizes
- >90CRI smooth, dot free illumination
- Dimmable IP67 power supply and IP67 luminaire
- Catenary cable, ceiling, and wall mounting options

SPECIFICATIONS:

HOUSING: Seamless housing comprised of custom rectangular aluminum 6063-T1 extrusion.

ELECTRICAL: Powered by a standalone Q-Tran QZ, 120-277VAC primary/24VDC secondary outdoor rated remote dimmable power supply. Power supply features built-in short circuit protection, over load protection, and over temperature protection. System is forward

phase, reverse phase, and 1-10V dimming. Consult factory for other driver options. Catenary mounted fixtures supplied with 1' infeed cable. A 40' leader cable supplied with infeed only fixtures. Ceiling canopy mounted fixtures supplied with 6' infeed cable.

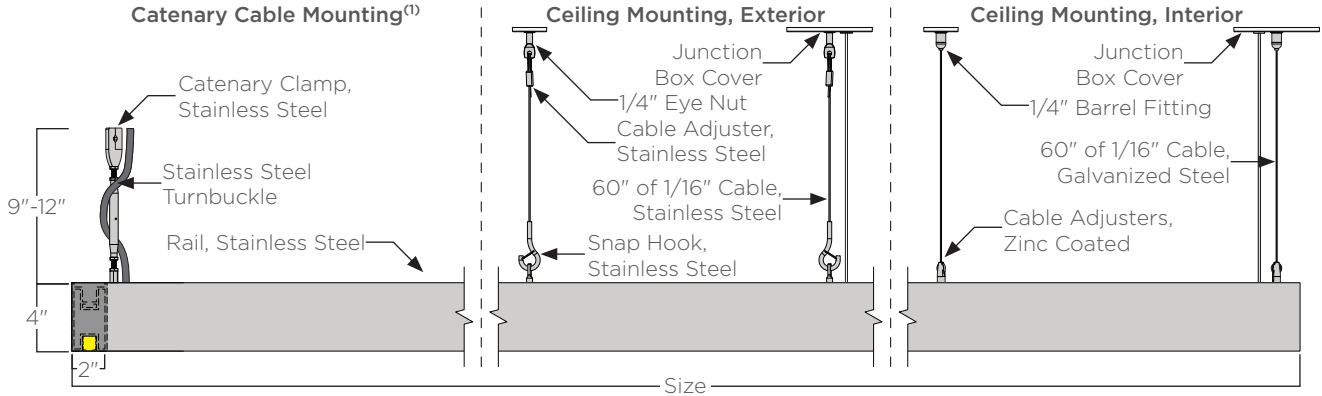
OPTICAL SYSTEM: Available in 2700K, 3000K, 3500K, 4000K color temperatures with smooth, dot free illumination. Operating temperature of -4°F to 125°F SO, 115°F MO, and 108°F HO.

FINISHES: All exterior aluminum parts are polyester powder coat painted to meet AAMA 2604 standards. See Structura's finish options for available colors. [Care and Maintenance](#)

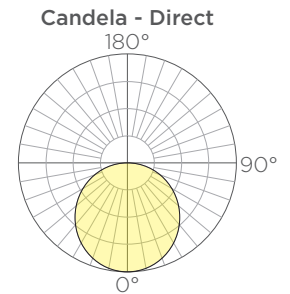
HARDWARE: All fasteners are stainless steel unless otherwise noted.

LISTINGS & RATINGS: Luminaire CSA listed according to CSA C22.2 No. 250.0-18/UL Standard 1598 and UL Standard 2108. Suitable for wet locations. LM-80 test calculated L70 > 40,000 hours. Luminaire not to be installed in chlorinated environment.

WARRANTY: A 2-year finish warranty with 3-year warranty on LED and driver.



Size	Standard Output		Medium Output		High Output		Weight ⁽²⁾	EPA ⁽²⁾
	Lumens ⁽²⁾	Watts	Lumens ⁽²⁾	Watts	Lumens ⁽²⁾	Watts		
1x4	1051	15	1908	30	2670	50	26lbs.	1.73ft ²
1x6	1471	21	2672	42	3738	70	35lbs.	2.53ft ²
2x2	840	12	1527	24	2136	40	21lbs.	.93ft ²
2x4	1261	18	2290	36	3204	60	31lbs.	1.73ft ²
2x6	1681	24	3054	48	4272	80	40lbs.	2.53ft ²
2x8	2101	30	3817	60	5340	100	50lbs.	3.33ft ²
3x3	1261	18	2290	36	3204	60	31lbs.	1.33ft ²
3x6	1891	27	3435	54	4806	90	45lbs.	2.53ft ²
4x4	1681	24	3053	48	4272	80	40lbs.	1.73ft ²
4x8	2521	36	4580	72	6408	120	59lbs.	3.33ft ²
5x5	2101	30	3817	60	5340	100	50lbs.	2.06ft ²
6x6	2521	36	4580	72	6408	120	59lbs.	2.53ft ²



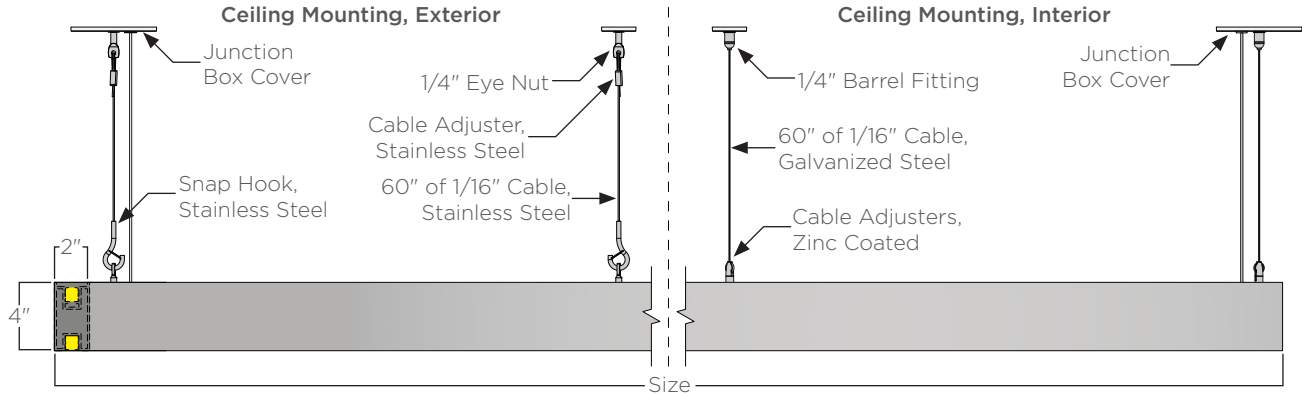
ORDERING GUIDE: EXAMPLE: VOLTA-RCT-D-2x8-L30MO-S3-CA-STD



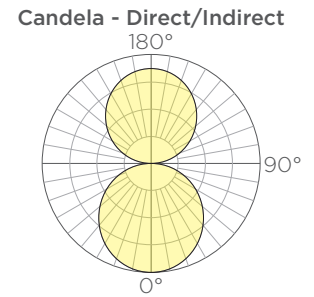
VOLTA		D						
1	2	3	4	5	6	7	8	9

1	Series	4	Size	5	CCT	7	Metal Finish
VOLTA	Volta	1x4	1' x 4'	L27	2700K	C*	See color options on finishes technical sheet
2	Type	1x6	1' x 6'	L30	3000K	CSM	Custom Color
SQR	Square	2x2	2' x 2'	L35	3500K	8	Mounting
RCT	Rectangle	2x4	2' x 4'	L40	4000K	CA	Catenary Cable ⁽¹⁾
3	Lighting	2x6	2' x 6'	6	Output	CE/E	Ceiling Canopy, Exterior
D	Direct	2x8	2' x 8'	SO	Standard Output	CE/I	Ceiling Canopy, Interior
		3x3	3' x 3'	MO	Medium Output	9	Special
		3x6	3' x 6'	HO	High Output	STD	Standard
		4x4	4' x 4'			MOD	Modified
		4x8	4' x 8'				
		5x5	5' x 5'				
		6x6	6' x 6'				

1. Catenary cable designed and provided separately.
 2. Lumen output based upon 3000K CCT.
 3. Weight and EPA based off of catenary mounting option.



Size	Standard Output		Medium Output		High Output		Weight	EPA
	Lumens ⁽¹⁾	Watts	Lumens ⁽¹⁾	Watts	Lumens ⁽¹⁾	Watts		
1x4	1953	28	3547	56	4962	94	24lbs.	1.68ft ²
1x6	2790	40	5068	80	7091	134	33lbs.	2.48ft ²
2x2	1534	22	2786	44	3897	74	19lbs.	.88ft ²
2x4	2371	34	4308	68	6026	114	29lbs.	1.68ft ²
2x6	3209	46	5829	92	8155	154	38lbs.	2.48ft ²
2x8	4047	58	7351	116	10284	194	48lbs.	3.28ft ²
3x3	2371	34	4307	68	6026	114	29lbs.	1.28ft ²
3x6	3628	52	6590	104	9219	174	43lbs.	2.48ft ²
4x4	3209	46	5829	92	8155	154	38lbs.	1.68ft ²
4x8	4885	70	8873	140	12413	234	57lbs.	3.28ft ²
5x5	4047	58	7351	116	10284	194	48lbs.	2.01ft ²
6x6	4885	70	8873	140	12412	234	57lbs.	2.48ft ²



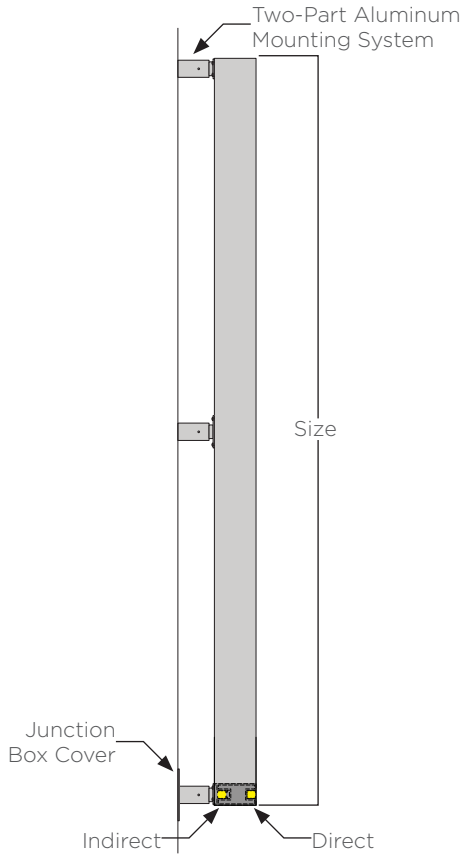
ORDERING GUIDE: EXAMPLE: VOLTA-SQR-D/I-2x2-L35HO-56-CE-STD



VOLTA		D/I					CE	
1	2	3	4	5	6	7	8	9

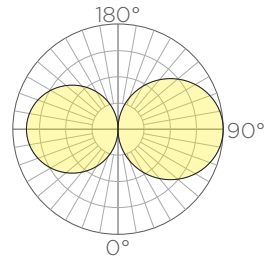
1	Series	4	Size	5	CCT	7	Metal Finish
VOLTA	Volta	1x4	1' x 4'	L27	2700K	C*	See color options on finishes technical sheet
2	Type	1x6	1' x 6'	L30	3000K	CSM	Custom Color
SQR	Square	2x2	2' x 2'	L35	3500K	8	Mounting
RCT	Rectangle	2x4	2' x 4'	L40	4000K	CE/E	Ceiling Canopy, Exterior
3	Lighting	2x6	2' x 6'	6	Output	CE/I	Ceiling Canopy, Interior
D/I	Direct/Indirect ⁽²⁾	2x8	2' x 8'	SO	Standard Output	9	Special
		3x3	3' x 3'	MO	Medium Output	STD	Standard
		3x6	3' x 6'	HO	High Output	MOD	Modified
		4x4	4' x 4'				
		4x8	4' x 8'				
		5x5	5' x 5'				
		6x6	6' x 6'				

1. Lumen output based upon 3000K CCT.
 2. Direct/indirect illumination controlled together. Contact Structura for independent control options.



Size	Standard Output		Medium Output		High Output		Weight
	Watts D	Watts D/I	Watts D	Watts D/I	Watts D	Watts D/I	
1x4	15	28	30	56	50	94	26lbs.
1x6	21	40	42	80	70	134	35lbs.
2x2	12	22	24	44	40	74	21lbs.
2x4	18	34	36	68	60	114	31lbs.
2x6	24	46	48	92	80	154	40lbs.
2x8	30	58	60	116	100	194	50lbs.
3x3	18	34	36	68	60	114	31lbs.
3x6	27	52	54	104	90	174	45lbs.
4x4	24	46	48	92	80	154	40lbs.
4x8	36	70	72	140	120	234	59lbs.
5x5	30	58	60	116	100	194	50lbs.
6x6	36	70	72	140	120	234	59lbs.

Candela - Direct/Indirect



ORDERING GUIDE: EXAMPLE: AURA-SQR-I-4x4-L3050-S3-C2-WA4-STD



VOLTA									
1	2	3	4	5	6	7	8	9	10

1	Series	4	Size	5	CCT	8	Metal Finish
VOLTA	Volta	1x4 1x6 2x2 2x4 2x6 2x8 3x3 3x6 4x4 4x8 5x5 6x6	1' x 4' 1' x 6' 2' x 2' 2' x 4' 2' x 6' 2' x 8' 3' x 3' 3' x 6' 4' x 4' 4' x 8' 5' x 5' 6' x 6'	L27 L30 L35 L40	2700K 3000K 3500K 4000K	**** CSM	See color options on finishes technical sheet Custom Color
2	Type			6	Output	9	Mounting
SQR RCT	Square Rectangle			SO MO HO	Standard Output Medium Output High Output	WA4 WA8	4" Wall Mount 8" Wall Mount
3	Lighting			7	Metal Finish	10	Special
D I D/I	Direct Indirect Direct/ Indirect ⁽¹⁾			C* CSM	See color options on finishes technical sheet Custom Color	STD MOD	Standard Modified

1. Direct/indirect illumination controlled together. Contact Structura for independant control options.