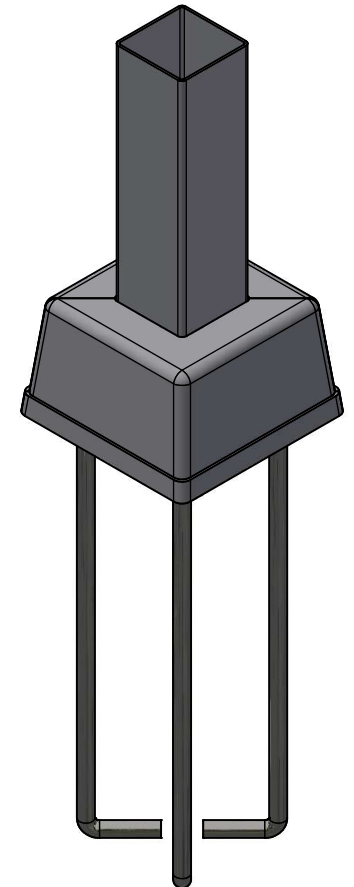
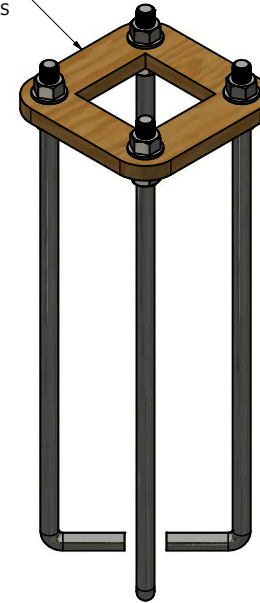
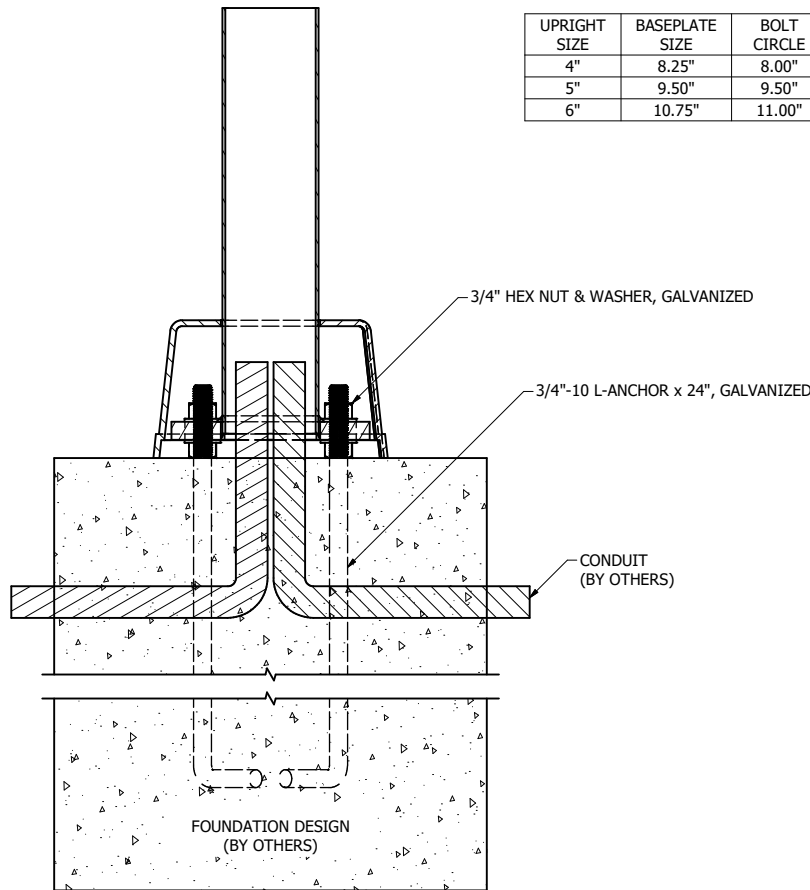


WOOD TEMPLATE MATCHES
BASEPLATE DIMENSIONS



| UPRIGHT SIZE | BASEPLATE SIZE | BOLT CIRCLE |
|-----------------|-------------------|----------------|
| 4" | 8.25" | 8.00" |
| 5" | 9.50" | 9.50" |
| 6" | 10.75" | 11.00" |



SECTION A-A

Assemble anchor bolts to template as shown in the drawing. Anchor bolts must be installed vertically straight. Level template in all directions and leave until foundation has cured. After foundation has cured, remove template and secure pole to anchor bolts.

Typical Kila Anchor Installation

STAMP

STRUCTURA
9635 Widmer Rd. phone 913.390.8787
Lenexa, KS 66215 projects@structura.com

Project Name
Project Location

SHEET NUMBER

1 of 1

REVISION

DATE

4/5/2022

DRAWING

Kila - Anchor Bolt.idw