

Tandem Ortho Straight Double Upright Pole

STRUCTURA

FIXTURE TYPE: _____

PROJECT NAME: _____



Double aluminum extrusion uprights with wood or metal side accent panels and fixture arm for pedestrian and roadway pole.

FEATURES:

- Roadway or pedestrian pole heights up to 24'
- Available with multiple fixture arm mounting options
- Available with wood, aluminum, or weathering steel side panels

SPECIFICATIONS:

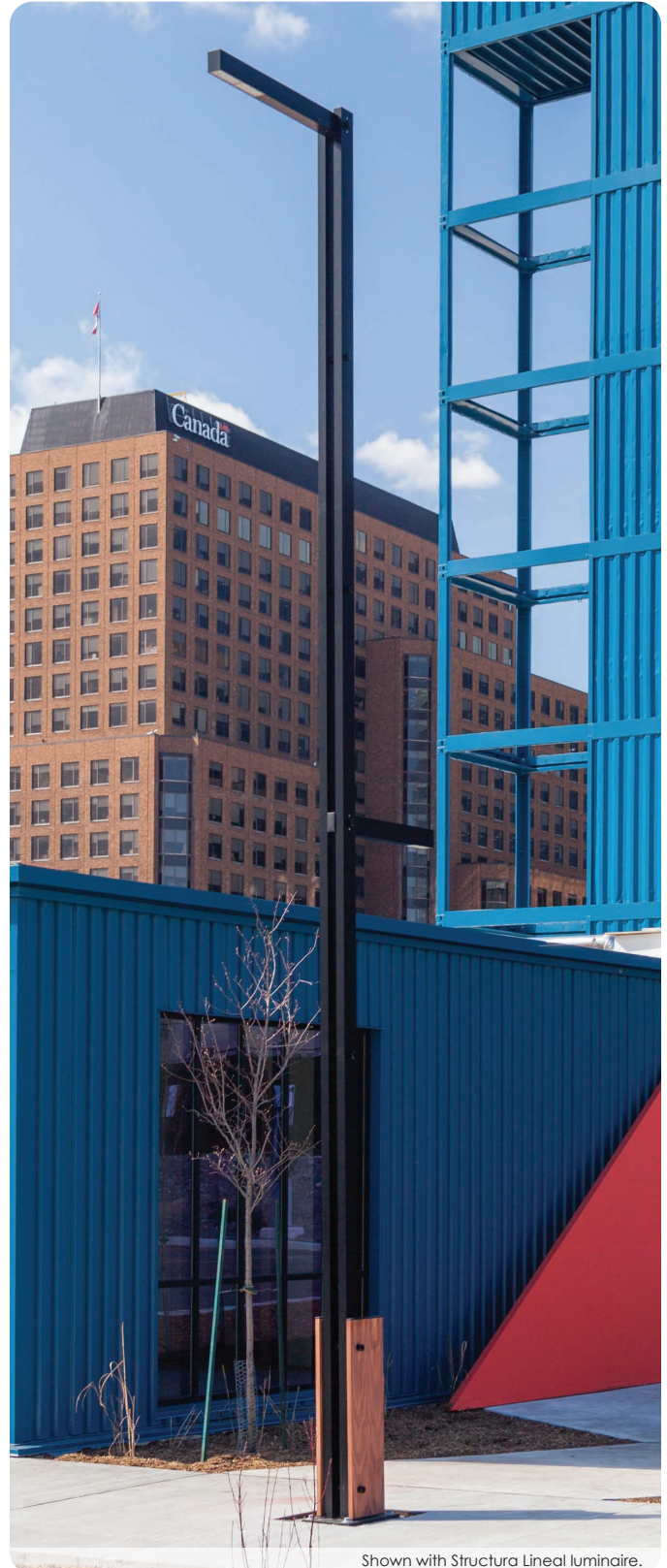
CONSTRUCTION: Rectangular extruded 6061-T6 aluminum alloy tube fastened to a square 6061-T6 base support welded to 319SR aluminum alloy baseplate.

FINISHES AND MATERIALS: All aluminum parts are polyester powder coat painted. Woods are finished with a low VOC waterborne matte exterior finish containing UV and mildew inhibitors.

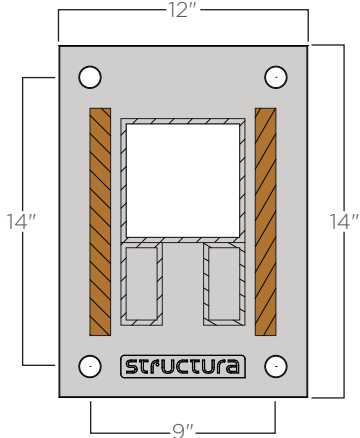
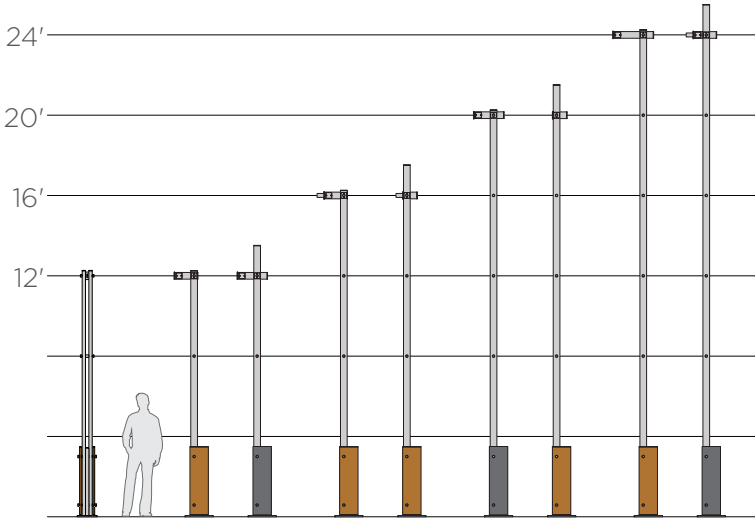
ELECTRICAL: A 5/16" - 18 grounding point is provided on the aluminum pole center support. Wireway access is provided through a NEC compliant handhole on the back of the base support.

HARDWARE: All fasteners and hardware are stainless steel. Anchor bolt kits are hot dipped galvanized steel.

FIXTURE MOUNTING: Fixtures mount pole to arm with welded on bolt plate or tenon. Luminaires and accessories shall be provided by others.



Shown with Structura Lineal luminaire.



ORDERING GUIDE: EXAMPLE: ORTHO-21.5-C3-125-A20/BP12-B12/BP-P1/S2-STD



1	Series	5	A Side (Front)	8	Mounting Type⁽³⁾
ORTHO	Tandem Ortho	A0	No fixture on this side	MA	2 3/8" Diameter Mast Arms
2	Pole Height	A12	12'	MAR	
12	12'	A16	16'	MA12	12" Arm
13.5	13.5'	A20	20'	MA12R	12" Arm with 6" Rear Extension
16	16'	A24	24'		
17.5	17.5'	6	Mounting Type⁽³⁾	BP	Bolt Plates
20	20'		2 3/8" Diameter Mast Arms	BPR	
21.5	21.5'	MA		Flush Mount	
24	24'	MAR		Flush Mount with 6" Rear Extension	
25.5	25.5'	MA12	12" Arm	BP12	12" Arm
3	Pole Finish	MA12R	12" Arm with 6" Rear Extension	BP12R	12" Arm with 6" Rear Extension
C*	See color options on finishes technical sheet	BP	Bolt Plates	9	Panel Material
CSM	Custom Color ⁽¹⁾	BPR	Flush Mount	P1/S*	Wood (specify wood color) ⁽⁴⁾
4	Wall Thickness⁽²⁾	BP12	Flush Mount with 6" Rear Extension	P2/C*	Aluminum (specify paint color) ⁽⁴⁾
125	0.125" Wall	BP12R	12" Arm	WS	Weathering Steel
250	0.25" Wall	7	12" Arm with 6" Rear Extension	10	Options
		BO	B Side (Back)	BNR	Banner Arms ⁽⁵⁾
		B12	Fixture Mounting Height	GFCI	GFCI Box and Cover
		B16	No fixture on this side	11	Special
		B20	12'	STD	Standard
		B24	16'	MOD	Modified
			20'		
			24'		

1. Consult factory on custom colors
 2. Wall thickness determines the poles' maximum wind load per a given wind zone. See wind loading tables.
 3. Leave this section blank if no fixture is on this side.
 4. See color options on finishes technical sheet.
 5. Consult factory for allowable banner size based upon EPA.