

FIXTURE TYPE: \_\_\_\_\_

PROJECT NAME: \_\_\_\_\_

Spot



15°



25°



35°



70°



## SPECIFICATIONS:

**CONSTRUCTION:** Housing comprised of aluminum die castings with machined aluminum 6061-T6 mounting brackets.

**ELECTRICAL:** Powered by an integral 120-277VAC, 0-10V dimmable constant current driver with built in 4kV surge protection. Operating temperature of -22°F to 122°F.

**OPTICAL SYSTEM:** COB LED has solderless connections for field upgradability. Available in color temperature of 2700, 3000, 3500, and 4000K with >80 CRI standard. Optional >90 CRI. Optical reflectors available in 15°, 25°, 35°, and 70° beam distributions. Covered by clear tempered glass. Consult factory for additional color temperatures or lumen outputs.

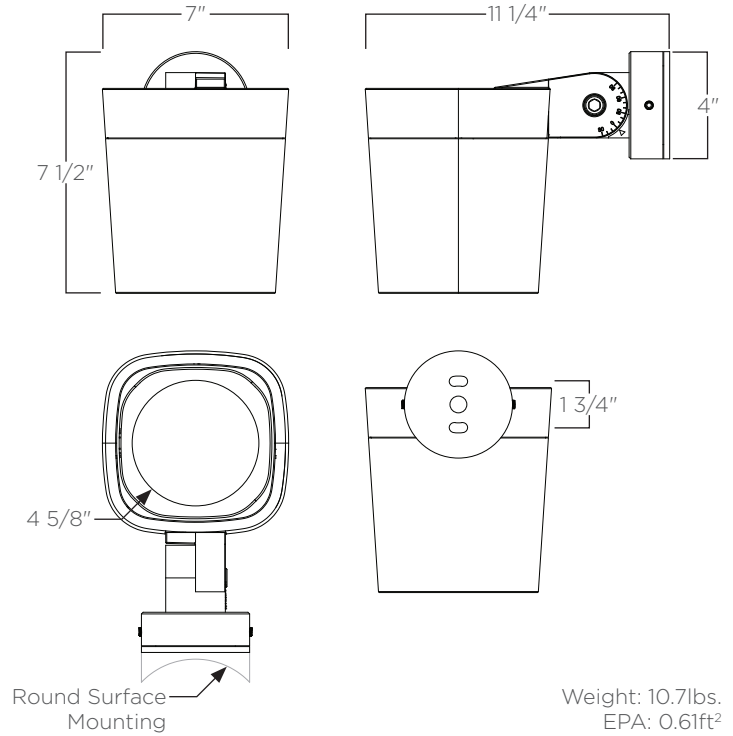
**FINISHES:** All exterior aluminum parts are polyester powder coat painted to meet AAMA-2604 standards. See Structura's finish options for available standard finishes. [Care and Maintenance](#)

**LISTINGS & RATINGS:** Luminaire CSA listed according to CSA C22.2 No. 250.0-21/UL Standard 1598, 5<sup>th</sup> edition. Suitable for wet locations. LM-80 test reported L70 > 66,000 hours. IP66 rated.

**WARRANTY:** 5-year warranty on LED and drivers.



			Output at 3000K, 80CRI		
Output	Wattage	Optic	Lumen	Efficacy	Candela
SO	40	Spot	2383	59.5	26,394
SO	40	15	4506	112.6	38,670
SO	40	25	4144	103.5	12,452
SO	40	35	4393	109.8	7,399
SO	40	70	4534	113.3	3,833
HO	60	Spot	3469	57.7	37,097
HO	60	15	6656	110.7	55,785
HO	60	25	6067	100.9	16,382
HO	60	35	6423	106.8	12,858
HO	60	70	6707	111.5	5,537



**ORDERING GUIDE:** EXAMPLE: FELIX-LARGE-L30HO-35-C5-UNV-R/5.5-HEX-STD



**1 Series**

FELIX Felix

**2 Size**

LARGE Large

**3 Color Temperature<sup>(1)</sup>**

L27 2700K  
L30 3000K  
L35 3500K  
L40 4000K

**4 Output<sup>(1)</sup>**

SO Standard Output  
HO High Output

**5 Distribution**

SP 15° Spot with Internal Ring Louver  
15 Spot  
25 25° Narrow Flood  
35 35° Medium Flood  
70 70° Wide Flood

**6 Metal Finish**

C\* See color options on finishes technical sheet  
CSM Custom Color

**7 Voltage**

UNV 120-277V

**8 Mounting**

F Flat Surface  
R/\* Round Surface/Diameter<sup>(2)</sup>  
G Galvin

**9 Option**

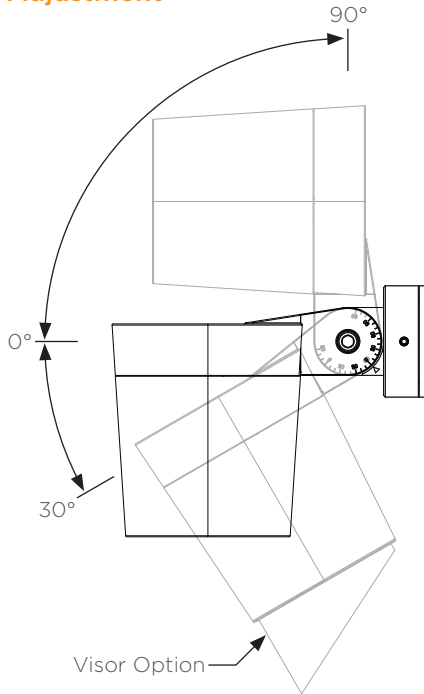
90 >90 CRI<sup>(3)</sup>  
BABA BABA  
HEX Hexcell Louver<sup>(4)</sup>  
VSR1 Visor less weephole<sup>(5)</sup>  
VSR2 Visor with weephole<sup>(5)(6)</sup>

**10 Special**

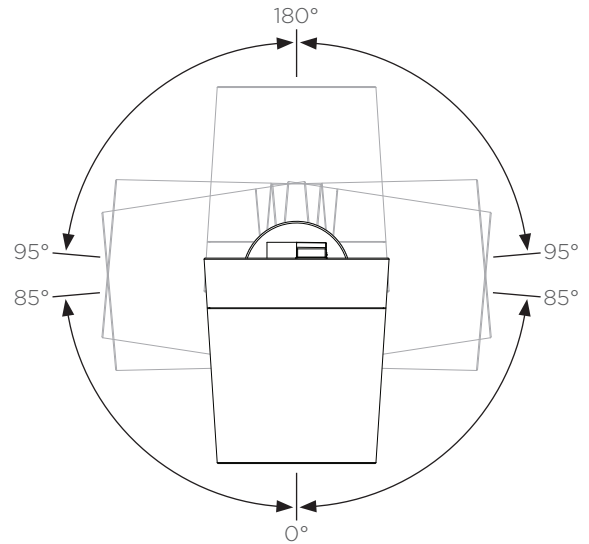
STD Standard

1. Contact factory for alternative color temperatures or output options.  
2. Diameter specified in inches.  
3. Standard CRI is >80.  
4. Hexcell louvers not available with SP distribution option  
5. Visor option increases luminaire EPA to 0.69ft².  
6. Weephole required for any installation using a visor with fixture facing upwards.

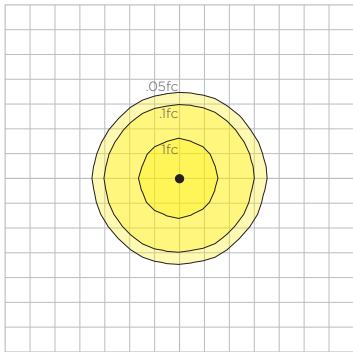
**Vertical Adjustment**



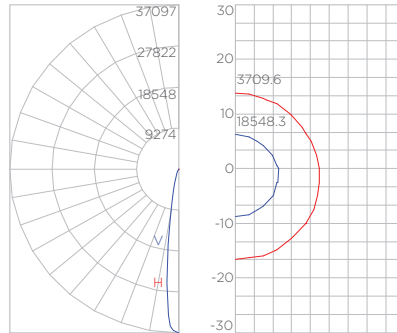
**Axial Adjustment**



**15° Spot with Ring Louver**



FELIX-LARGE-L30HO-SP - 10' AFG  
BUG Rating: B3-U0-G0

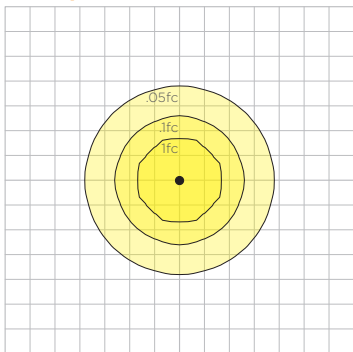


Max Candela = 37097, 50% = 18548, 10% = 3710  
Located at horizontal angle = 0, vertical angle = 0  
H = horizontal axial; V = vertical axial

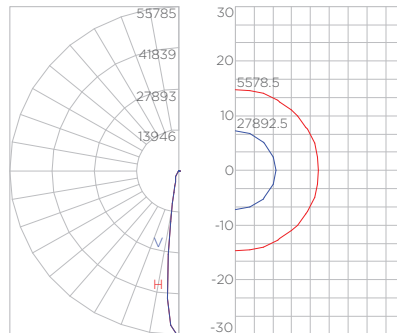
Intensity Distribution		
Height	Beam Diameter	Max Footcandles
10'	2.6'	367.2
15'	3.9'	163.2
20'	5.2'	91.8
25'	6.5'	58.8
30'	7.8'	40.8
35'	9.1'	30.0
40'	10.4'	23.0

Beam Distribution: 14.8°

**15° Spot**



FELIX-LARGE-L30HO-15 - 10' AFG  
BUG Rating: B4-U0-G0

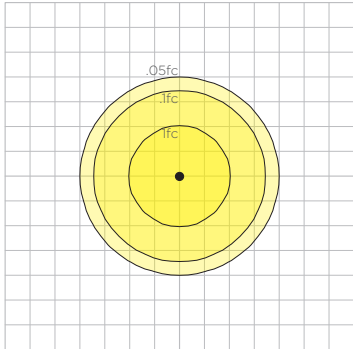


Max Candela = 55785, 50% = 27893, 10% = 5579  
Located at horizontal angle = 0, vertical angle = 0  
H = horizontal axial; V = vertical axial

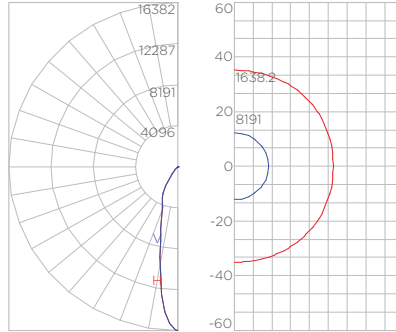
Intensity Distribution		
Height	Beam Diameter	Max Footcandles
10'	2.5'	557.9
15'	3.7'	247.9
20'	5.0'	139.5
25'	6.2'	89.3
30'	7.5'	62.0
35'	8.7'	45.5
40'	10.0'	34.9

Beam Distribution: 14.2°

### 25° Narrow Flood



FELIX-LARGE-L30HO-25 - 10' AFG  
BUG Rating: B3-U0-G0

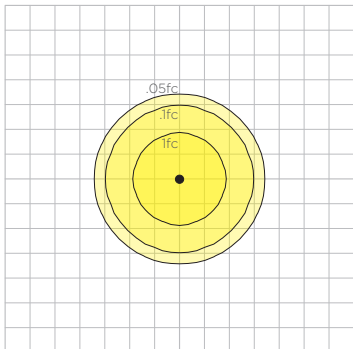


Max Candela = 16382, 50% = 8191, 10% = 1638  
Located at horizontal angle = 0, vertical angle = 0  
H = horizontal axial; V = vertical axial

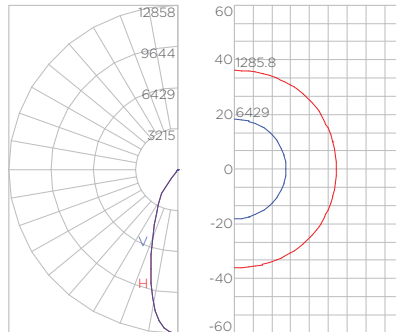
Intensity Distribution		
Height	Beam Diameter	Max Footcandles
10'	4.3'	163.8
15'	6.5'	72.81
20'	8.7'	41.0
25'	10.8'	26.2
30'	13.0'	18.2
35'	15.1'	13.4
40'	17.3'	10.2

Beam Distribution: 24.2°

### 35° Medium Flood



FELIX-LARGE-L30HO-35 - 10' AFG  
BUG Rating: B4-U0-G0

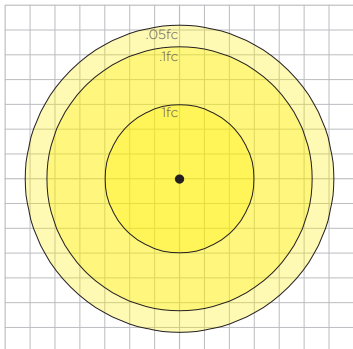


Max Candela = 12858, 50% = 6429, 10% = 1286  
Located at horizontal angle = 0, vertical angle = 0  
H = horizontal axial; V = vertical axial

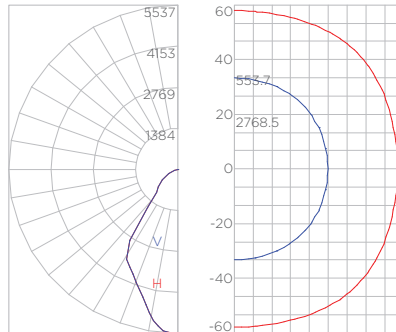
Intensity Distribution		
Height	Beam Diameter	Max Footcandles
10'	6.6'	128.6
15'	9.9'	57.2
20'	13.2'	32.2
25'	16.5'	20.6
30'	19.8'	14.3
35'	23.1'	10.5
40'	26.4'	8.0

Beam Distribution: 36.5°

### 70° Wide Flood



FELIX-LARGE-L30HO-70 - 10' AFG  
BUG Rating: B3-U0-G



Max Candela = 5537, 50% = 2769, 10% = 554  
Located at horizontal angle = 0, vertical angle = 0  
H = horizontal axial; V = vertical axial

Intensity Distribution		
Height	Beam Diameter	Max Footcandles
10'	13.2'	55.4
15'	19.8'	24.6
20'	26.4'	13.8
25'	33.0'	8.9
30'	39.6'	6.2
35'	46.2'	4.5
40'	52.8'	3.5

Beam Distribution: 66.8°

[IES file download](#)