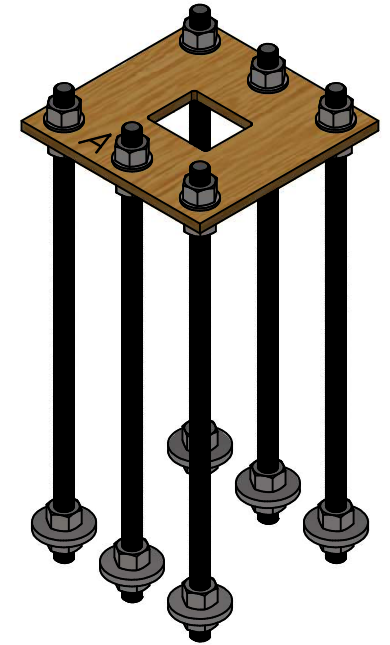
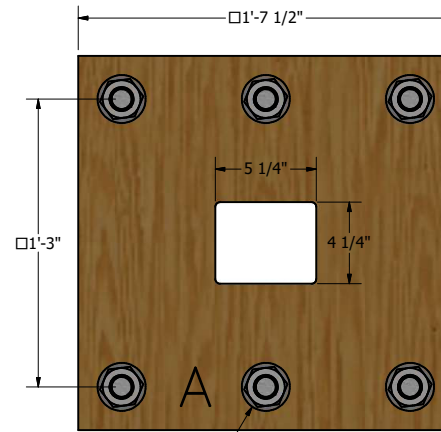
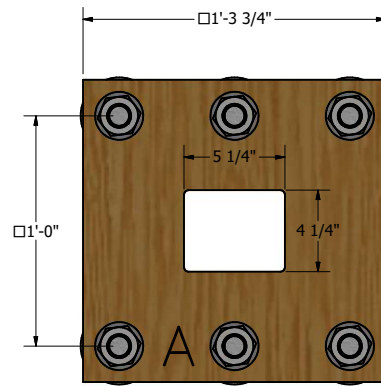
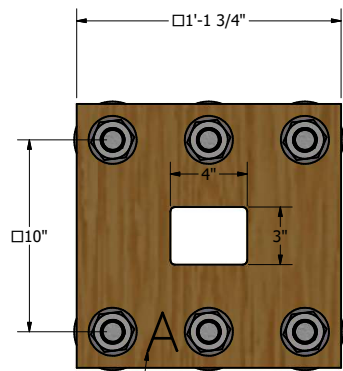


6" POLE

8" POLE

10" POLE

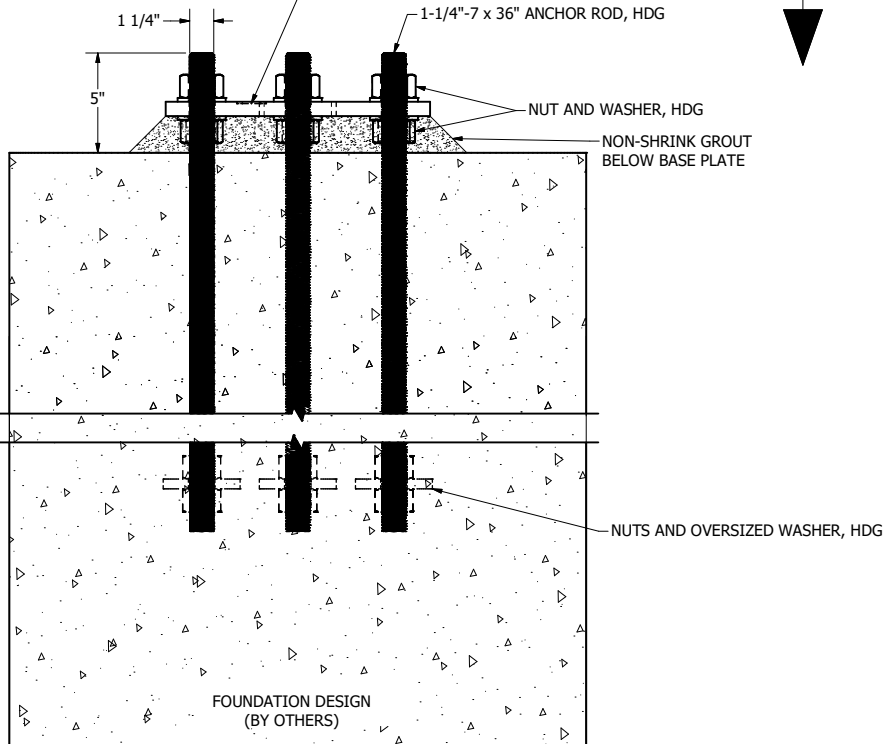


POLE A-SIDE INDICATOR

WOOD TEMPLATE TO FACILITATE INSTALLATION (TEMPLATE MATCHES BASEPLATE DIMENSIONS)

STRONG AXIS

CENTER ANCHOR BOLTS FOR 6 ANCHOR BOLT AND CATENARY OPTIONS



Assemble anchor bolts to template as shown in the drawing. Anchor bolts must be installed vertically straight. Level template in all directions and leave until foundation has cured. After foundation has cured, remove template and secure pole to anchor bolts.

Typical Beam Catenary Anchor Bolt Installation			
Template: 6" Pole = 95373, 8" Pole = 95374, 10" Pole = TBD			
STAMP	<b>STRUCTURA</b>		
	19922 W. 162nd Street Olathe, KS 66062		phone 913.390.8787 projects@structura.com
<b>BEAM POLE</b>			
SHEET NUMBER	REVISION	DATE	DRAWING
1 of 1		10/10/2018	Catenary Anchor Bolt.idw

The design and engineering for this pole will be invalidated if provided by anyone other than Structura and Structura will accept no liability whatsoever. Poles must be oriented so that the pad eyes are in-line with the cables.