

Felix Mini LED Floodlight Luminaire

STRUCTURA

FIXTURE TYPE: _____

PROJECT NAME: _____



SPECIFICATIONS:

CONSTRUCTION: Housing comprised of aluminum die castings with machined aluminum 6061-T6 mounting brackets.

ELECTRICAL: Powered by an integral 120-277VAC constant current driver. Standard output is 13W. Optional 0-10V dimming with remote driver. Operating temperature of -4°F to 122°F.

OPTICAL SYSTEM: COB LED has solderless connections for field upgradability. Available in color temperature of 2700, 3000, 3500, and 4000K with >80 CRI standard. Optional >90 CRI. Optical reflectors available in 15°, 30°, 60°, and 70° spot distributions. Covered by clear tempered glass. Consult factory for additional color temperatures or lumen outputs.

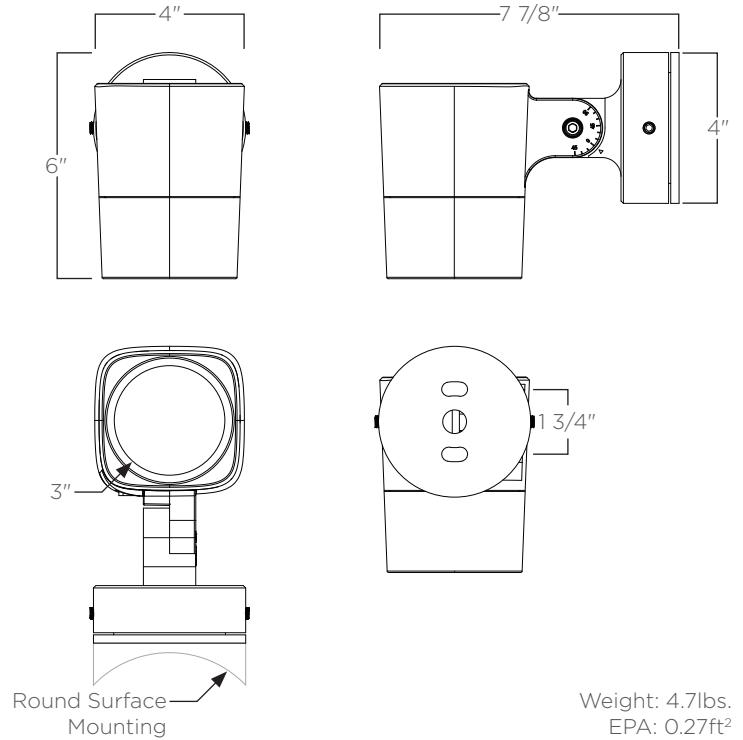
FINISHES: All exterior aluminum parts are polyester powder coat painted to meet AAMA-2604 standards. See Structura's finish options for available standard finishes. [Care and Maintenance](#)

LISTINGS & RATINGS: Luminaire CSA listed according to CSA C22.2 No. 250.0-21/UL Standard 1598, 5th edition. Suitable for wet locations. LM-80 test reported L70 > 66,000 hours. IP66 rated.

WARRANTY: 5-year warranty on LED and drivers.



			Output at 3000K, 80CRI		
Output	Wattage	Optic	Lumen	Efficacy	Candela
SO	13	15	1572	119.1	10,309
SO	13	30	1589	120.5	3,785
SO	13	60	1596	121.0	1,776
SO	13	70	1490	113.1	1,155



Weight: 4.7lbs.
EPA: 0.27ft²

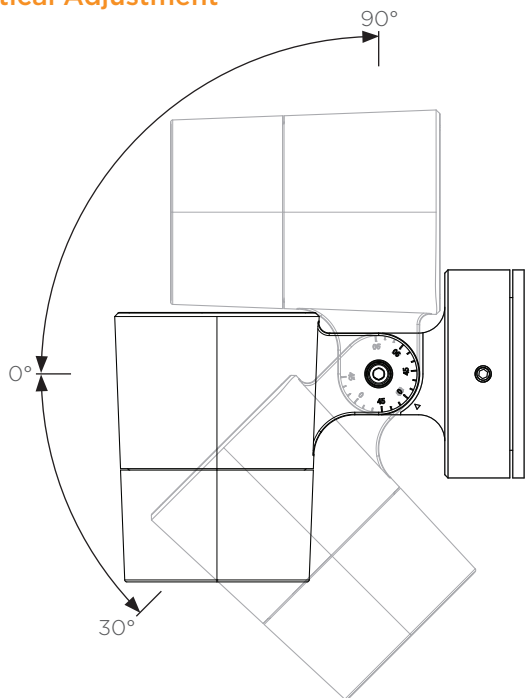
ORDERING GUIDE: EXAMPLE: FELIX-MINI-L27SO-20-C5-UNV-R/4-STD

FELIX	MINI								
1	2	3	4	5	6	7	8	9	10

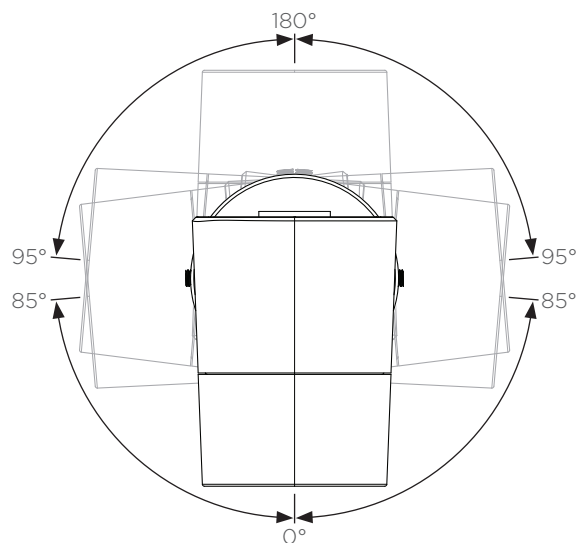
1	Series	5	Distribution	8	Mounting
FELIX	Felix	15	17° Beam	F	Flat Surface
2	Size	30	32° Beam	R/*	Round Surface/Diameter ⁽³⁾
MINI	Mini	60	60° Beam	9	Option
3	Color Temperature⁽¹⁾	70	70° Beam	90	>90 CRI ⁽⁴⁾
L27	2700K	6	Metal Finish	HEX	Hexcell Louver
L30	3000K	C*	See color options on finishes technical sheet	10	Special
L35	3500K	CSM	Custom Color	STD	Standard
L40	4000K	7	Voltage		
4	Output⁽¹⁾	UNV	120-277V		
SO	Standard Output	REM	Remote 120-277V ⁽²⁾		

1. Contact factory for alternative color temperatures or output options.
 2. Remote driver is required for 0-10V dimming controls.
 3. Diameter specified in inches.
 4. Standard CRI is >80.

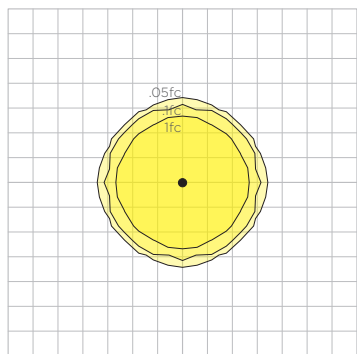
Vertical Adjustment



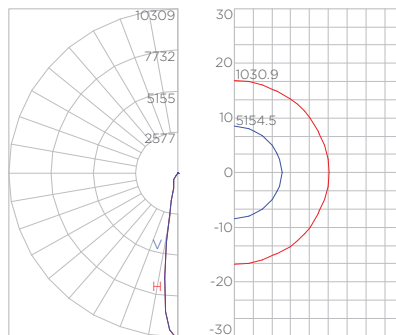
Axial Adjustment



15° Distribution



FELIX-MINI-L30SO-15 - 10' AFG
BUG Rating: B2-U0-G0

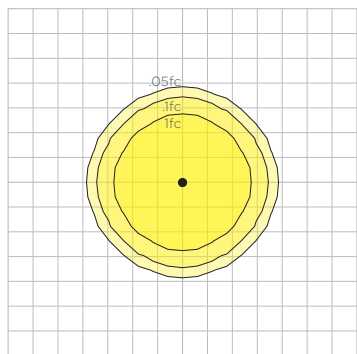


Max Candela = 10309, 50% = 5155, 10% = 1031
Located at horizontal angle = 0, vertical angle = 0
H = horizontal axial; V = vertical axial

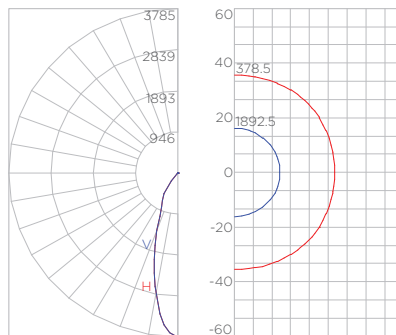
Intensity Distribution		
Height	Beam Diameter	Max Footcandles
10'	2.9'	103.1
15'	4.8'	45.8
20'	5.8'	25.8
25'	7.3'	16.5
30'	8.8'	11.5
35'	10.2'	8.4
40'	11.7'	6.4

Beam Distribution: 16.6°

30° Distribution



FELIX-MINI-L30SO-30 - 10' AFG
BUG Rating: B2-U0-G0

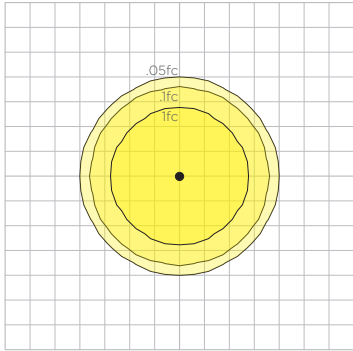


Max Candela = 3785, 50% = 1893, 10% = 379
Located at horizontal angle = 0, vertical angle = 0
H = horizontal axial; V = vertical axial

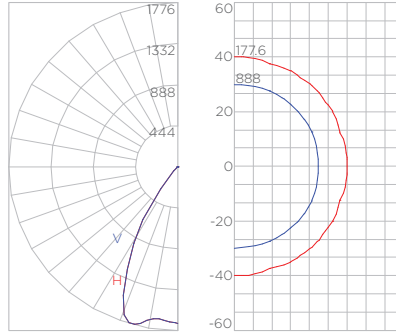
Intensity Distribution		
Height	Beam Diameter	Max Footcandles
10'	5.8'	37.9
15'	8.7'	16.8
20'	11.6'	9.5
25'	14.5'	6.1
30'	17.4'	4.2
35'	20.3'	3.1
40'	23.2'	2.4

Beam Distribution: 32.3°

60° Distribution



FELIX-MINI-L30SO-60 - 10' AFG
BUG Rating: B2-U0-G0

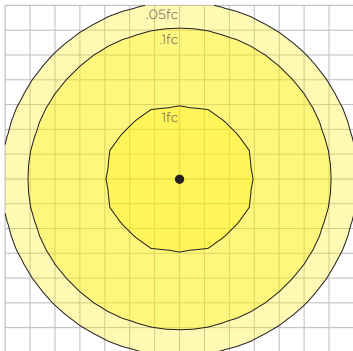


Max Candela = 1776, 50% = 888, 10% = 178
Located at horizontal angle = 0, vertical angle = 0
H = horizontal axial; V = vertical axial

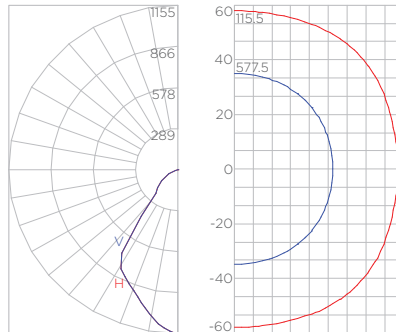
Intensity Distribution		
Height	Beam Diameter	Max Footcandles
10'	11.5'	17.0
15'	17.3'	7.5
20'	23.0'	4.2
25'	28.8'	2.7
30'	34.5'	1.9
35'	40.3'	1.4
40'	46.0'	1.1

Beam Distribution: 59.8°

70° Distribution



FELIX-MINI-L30SO-70 - 10' AFG
BUG Rating: B1-U0-G0



Max Candela = 1155, 50% = 578, 10% = 116
Located at horizontal angle = 0, vertical angle = 0
H = horizontal axial; V = vertical axial

Intensity Distribution		
Height	Beam Diameter	Max Footcandles
10'	14.0'	11.6
15'	21.0'	5.1
20'	28.0'	2.9
25'	35.0'	1.9
30'	42.0'	1.3
35'	49.0'	0.9
40'	56.0'	0.7

Beam Distribution: 70.0°