

FIXTURE TYPE: _____

PROJECT NAME: _____



Shown with Plaza arm, banner arm option, and modified top.

Steel H-beam upright with wood accent panels.

FEATURES:

- Roadway or pedestrian pole heights up to 30'
- Catenary cable capabilities
- Available in 6" and 8" square sizes

SPECIFICATIONS:

CONSTRUCTION: Formed A992 steel beam welded to an A36 steel baseplate. Solid wood panel is assembled through glulam construction and precision machined using CNC technology. Adhesive complies with ASTM D-2559 glulam construction specifications for extreme exposed weather conditions, is waterproof and rated for wet or dry use exposure.

ELECTRICAL: A 5/16" - 18 grounding point is provided on the aluminum pole center support. Wireway access is provided through a NEC compliant handhole hidden behind accent panel.

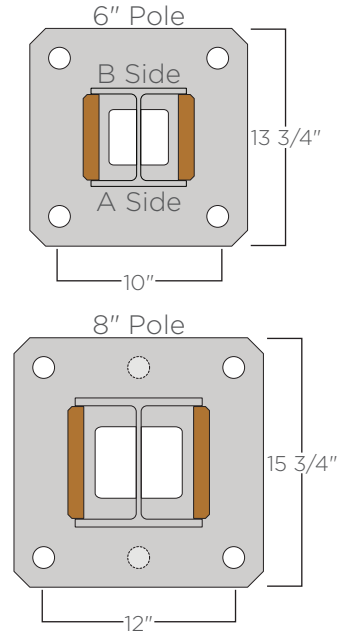
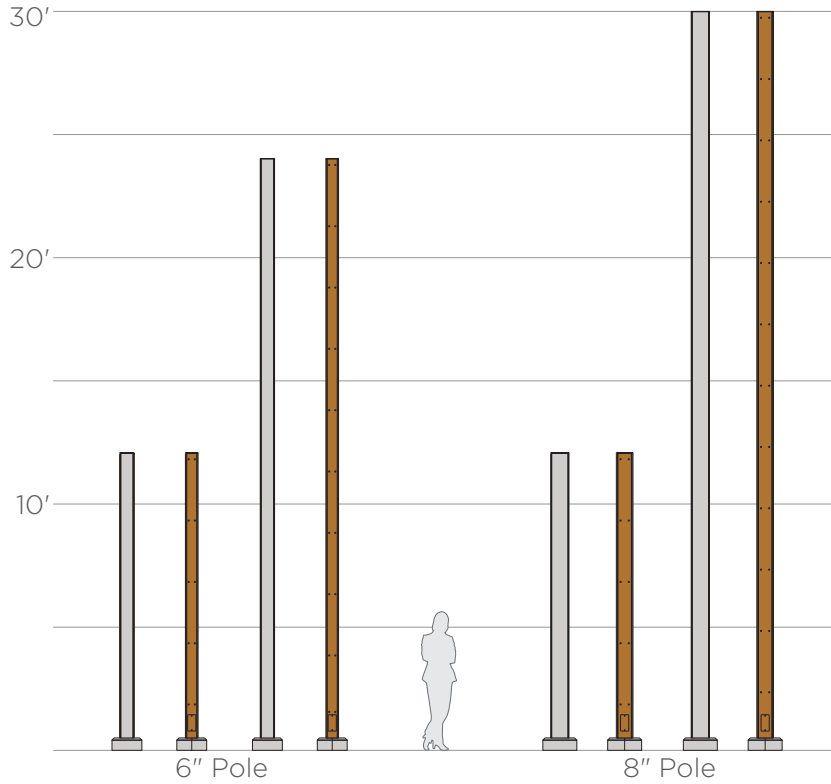
FINISHES AND MATERIALS: All steel parts are polyester powder coat painted. Wood panels are finished with a low VOC waterborne matte exterior finish containing UV and mildew inhibitors. [Care and Maintenance](#)

HARDWARE: All fasteners and hardware are stainless steel. Anchor bolt kits are ASTM F1554 grade 55 steel with galvanized steel hex nuts and washers.

FIXTURE MOUNTING: Fixtures mount to pole from bolt pattern, horizontal mast arm, or custom arm.



Shown with custom arm.



Size	Pole Weight
6"	57lbs + 23lbs/ft
8"	72lbs + 39lbs/ft

ORDERING GUIDE: EXAMPLE: BEAM-20-6-4-C5-A18-B12-S5-STD



1 BEAM	Series Beam	5 C*	Pole Finish⁽²⁾ See color options on finishes technical sheet Custom Color	8 S*	Wood Panel Finish See color options on finishes technical sheet
2 12 30 **	Pole Height⁽¹⁾ 12' 30' Specify	CSM	A Side Fixture Mounting Height No fixture on this side 12' 30' Specify	9 CAT BNR GALV GFCI	Options Catenary ⁽³⁾ Banner Arms ⁽⁴⁾ Galvanization ⁽⁵⁾ GFCI Box
3 6 8	Size 6" 8"	6 A0 A12 A30 A**	B Side Fixture Mounting Height No fixture on this side 12' 30' Specify	10 STD MOD	Special Standard Modified
4 4 6	Anchor Bolt 4 6	7 B0 B12 B30 B**			

1. 6" poles are available up to 24' in height.
 2. Due to the nature of structural beams, some surface smoothness imperfections can be present.
 3. Catenary poles must use the 8" size with 6 anchor bolts.
 4. Consult factory for allowable banner size based upon EPA.
 5. Due to the nature of galvanization, some surface smoothness imperfections can be present.