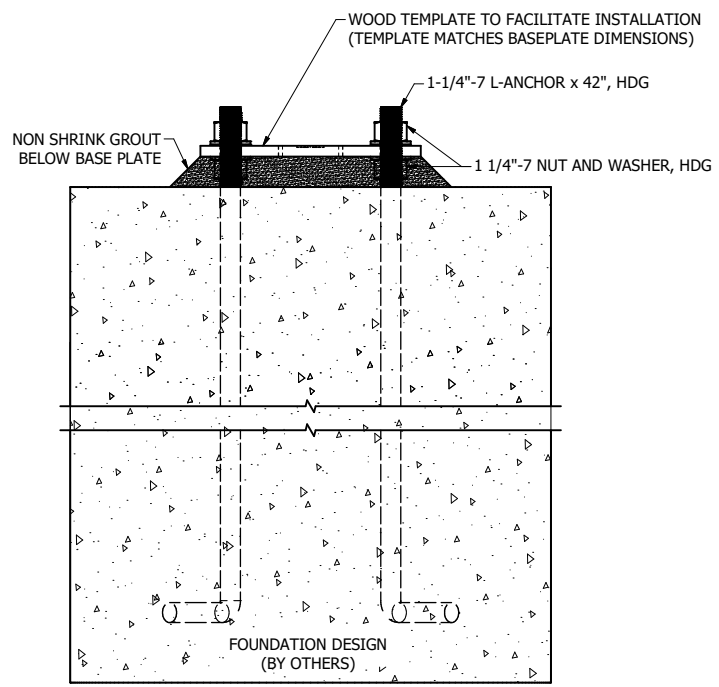
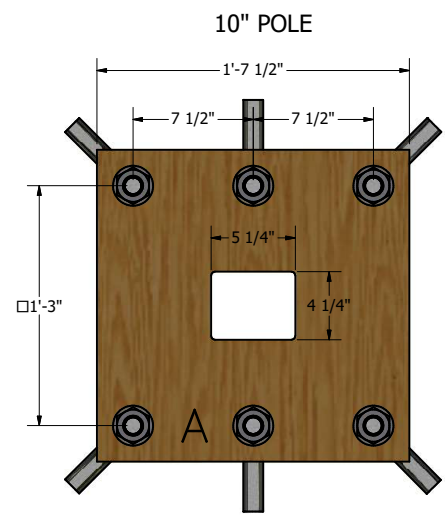
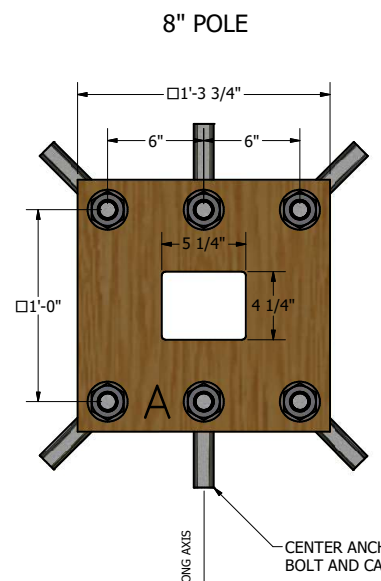
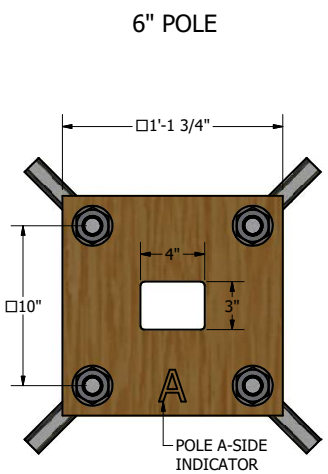


4 3 2 1



STRONG AXIS  
 CENTER ANCHOR BOLTS FOR 6 ANCHOR BOLT AND CATENARY OPTIONS

Assemble anchor bolts to template as shown in the drawing. Anchor bolts must be installed vertically straight. Level template in all directions and leave until foundation has cured. After foundation has cured, remove template and secure pole to anchor bolts.

Typical Beam Anchor Bolt Installation			
Template: 6" Pole = 95373, 8" Pole = 95374, 10" Pole = 97566			
STAMP	<b>STRUCTURA</b>		
	19922 W. 162nd Street Olathe, KS 66062		phone 913.390.8787 projects@structura.com
Beam Poles			
SHEET NUMBER	REVISION	DATE	DRAWING
1 of 1		10/10/2018	Beam - Anchor Bolt.idw

4 3 2 1