

SmartCity technology revolutionizes how to control outdoor spaces, but don't let all of the technology change the look of your site.

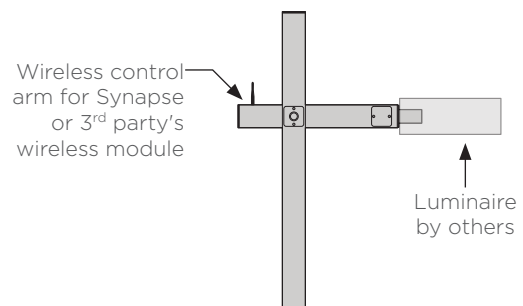
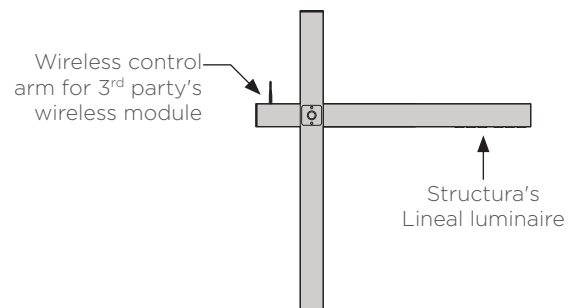
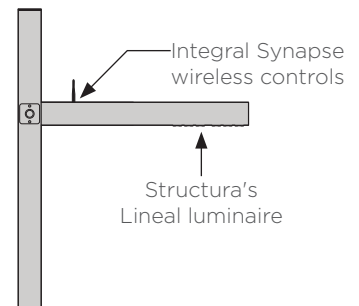
Structura can help integrate and coordinate your technology and lighting needs into one key solution

Choose one of our poles from a wide variety of styles that fit your space.

Select a luminaire by Structura with integral wireless control option or specify any other manufacturer's luminaire that has 0-10V dimming and Structura will coordinate the installation to our pole.

Utilize our SmartCity controls by Synapse or any 3<sup>rd</sup> party's controls and let us integrate it into our control arms.

Structura can also coordinate the commissioning of your site using the Synapse field support network, as well as providing controls for non-Structura products to be a part of your SmartCity network.



**SYNAPSE OVERVIEW:**

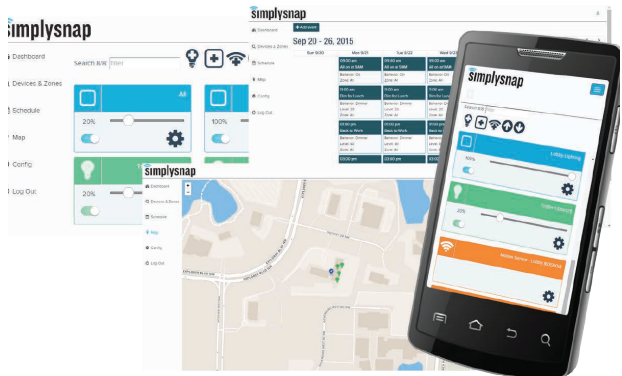
The Synapse SimplySNAP site controller serves as the heart of your lighting solution, allowing local control without the internet using the SimplySNAP solution.

SimplySNAP is a wireless, on-site control solution for monitoring and controlling outdoor lighting via a SNAP mesh network. SimplySNAP provides a flexibility to manage your lighting, your way, with mobile-friendly Wi-Fi interface.

The system stores power data, zones, alarms, behaviors, and critical events locally for maintenance and troubleshooting; and provides municipal compliance via daily schedules, sensor controlled behaviors, and multiple dimming levels. With programmable schedules and easy setup, SimplySNAP is the perfect solution for remote sites or where internet is not desired.

**FEATURES:**

- No internet required
- No recurring software fee—buy once and use forever
- Multiple zone, behavior, events, and schedules
- SimplySNAP creates a Wi-Fi connection to smart phone, tablet, or PC
- Optional SimplySNAP Remote Access (SSRA) service available
- Firmware updates via USB flash drive
- Sunrise and sunset schedules driven by latitude and longitude
- Optional cellular connectivity



**SPECIFICATIONS:**

**OPERATING ENVIRONMENT:** -40°F to 158°F operating temperature. Outdoor use with waterproof enclosure.

**MOUNTING:** DIN rail or wall mounted

**INPUT POWER:** 12-24V DC (barrel and terminal block connectors)

**CELLULAR:** Verizon 3G CDMA.

**WI-FI:** 802.11 a/b/g.

**RADIO:** SNAP 2.4 GHz; 802.15.4 with +20 dBm transmit power and -105 dBm receive sensitivity.

**CERTIFICATIONS:** FCC

**WARRANT:** 5 years

**INTERFACES:** 1 USB port with software updates and 1 ethernet port with wired access.

1. Wireless controller and twist-lock for other manufacturer's fixture.

Product specification sheets subject to change.



SimplySNAP Gateway



Wireless Control Twist-Lock with Photocell<sup>(1)</sup>



Wireless Controller<sup>(1)</sup>