

Warnings

CAUTION—risk of fire and this product must be installed in accordance with the applicable installation code by a person familiar with the construction and operation of the product and the hazards involved.

Suitable for wet locations.

Electrical service must be disconnected during installation.

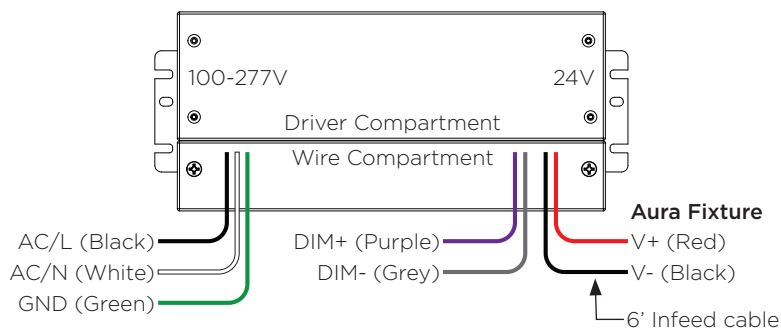
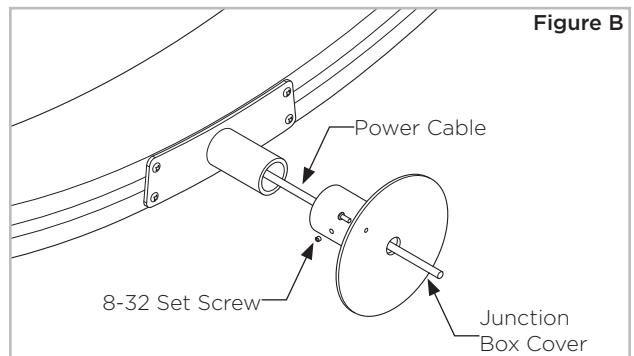
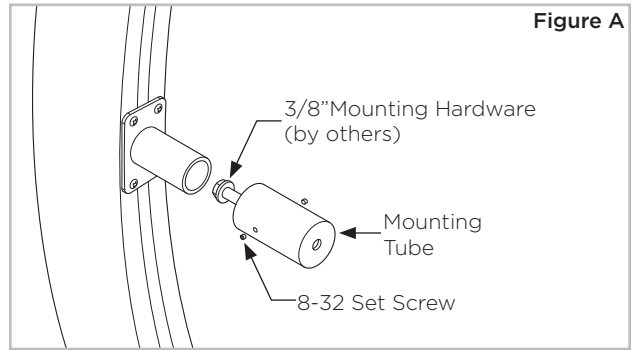
Proper grounding is required to protect against shock and proper operation.

Tools Required

- 4" octagonal junction box
- Phillips screwdriver
- 9/64" Allen wrench for 8-32 set screws
- 4' level

Installation

- Step 1: Turn off power.
- Step 2: Install power supply at remote location. Voltage drop must be <5%.
- Step 3: Use installation template to locate mounting holes in correlation to junction box.
- Step 4: Secure mounting tubes to wall using appropriate hardware for facade type (fasteners by others).
- Step 5: Run fixture power cable through junction box cover and connect to power supply.
- Step 5: Secure junction box cover to 4" octagonal junction box.
- Step 6: Slip fixture mounting into mounting tubes attached to wall.
- Step 7: Use level to ensure that the fixture is vertical and secure by tightening set screws on each mounting tube.
- Step 8: Turn power back on.



Suitable for indoor or outdoor use. Horizontal or vertical mounting. End and side knockout locations of 7/8" (1/2" trade size"). When installing multiple power supplies, separate the enclosures by at least 3" of space from edge to edge to prevent a rise of ambient temperature between the power supplies.