

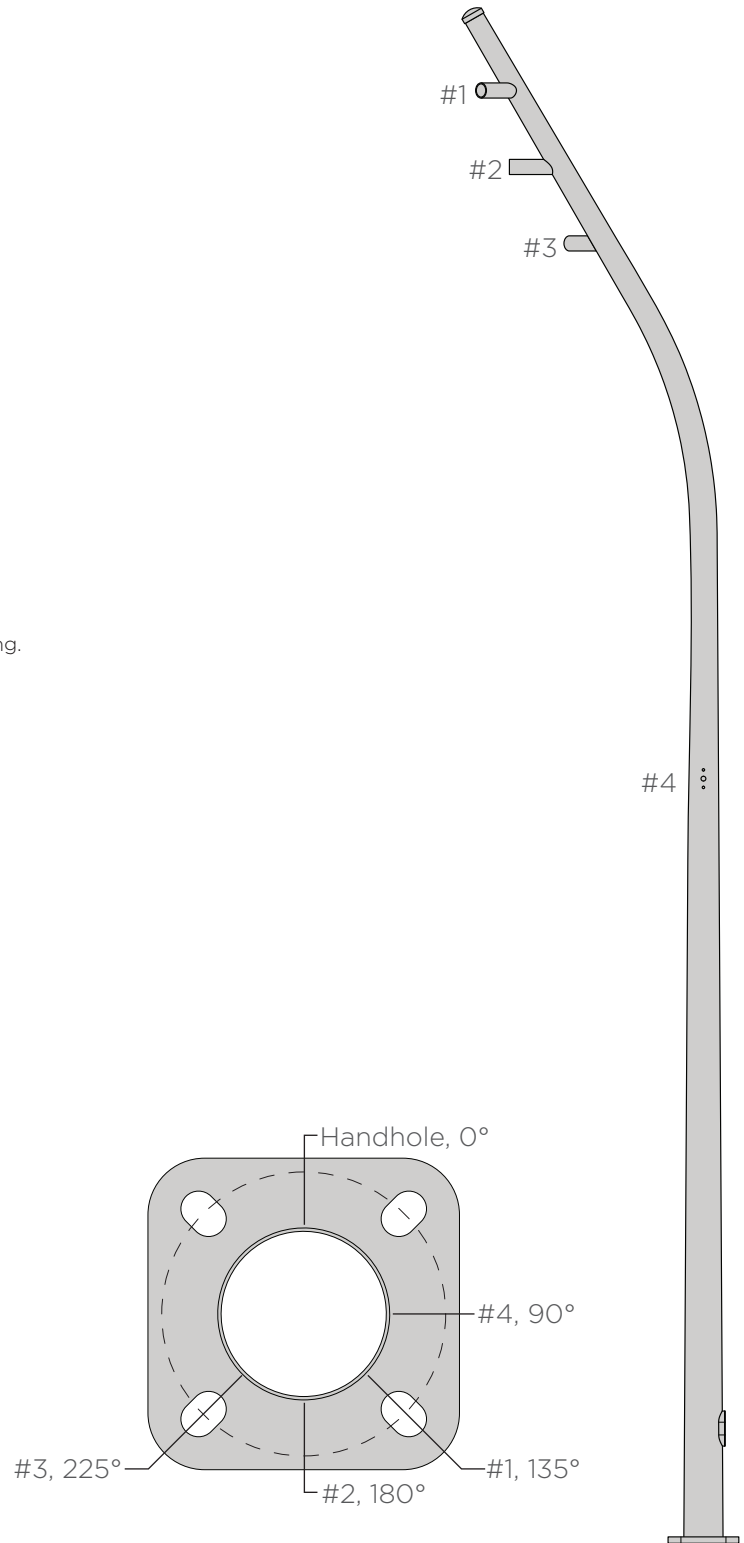
HOW TO ORDER

HOW TO ORDER:

Follow these steps below to order. Number designations match those found in the Ordering Guide.

1. Specify the product series.
2. Specify pole number.
3. Choose a powdercoat paint finish for pole finish. Custom colors are available. Indicate RAL color with the order or provide a paint chip for color match.
4. Specify number of fixture to mount to the pole.
5. Use the table to indicate fixture height, angle, and mounting. Angles available in 45° increments clockwise from the handhole at 0°.

Catalog Number			
REED-M-2-C3-4-STD			
Fixture	Height	Angle	Mounting
#1	19'	135°	2-3/8" Tenon
#2	18'	180°	2-3/8" Tenon
#3	17'	225°	2-3/8" Tenon
#4	10'	0°	Threaded Insert
#5			
#6			



FIXTURE TYPE: _____

PROJECT NAME: _____

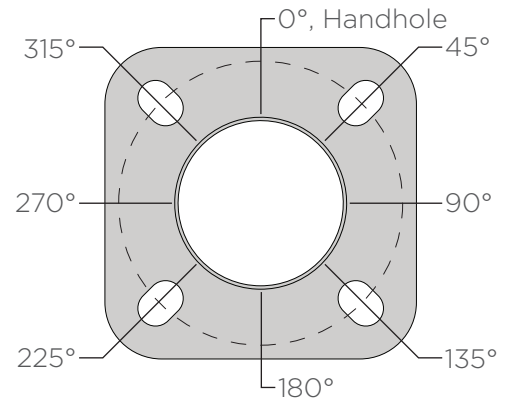
ORDERING GUIDE: EXAMPLE: REED-L-2-C7-5-BC-STD



1	Series	3	Pole S/M/L
REED	Reed	1	12/18 ⁽¹⁾ /30 ⁽¹⁾
2	Size	2	14/20/32'
S	Small	3	18/24/40'
M	Medium	4	Pole Finish
L	Large	C1	Bone White
		C3	Grey
		C6	Bronze
		C7	Jet Black

5	Fixture Quantity
1	1
2	2
3	3
4	4
X	Specify
6	Options
GALV	Galvanization ⁽²⁾
7	Anchor Bolts
BC	Traditional Anchors with Base Cover
TA	Traditional Anchor Bolts
8	Special
STD	Standard

Catalog Number				
REED-	-	-	-	-
Fixture	Height	Angle	Mounting	
#1				
#2				
#3				
#4				
#5				
#6				



1. Reed Medium and Large Type 1 poles have a slip fit after curve.
 2. Due to the nature of galvanization, some surface smoothness imperfections can be present.