

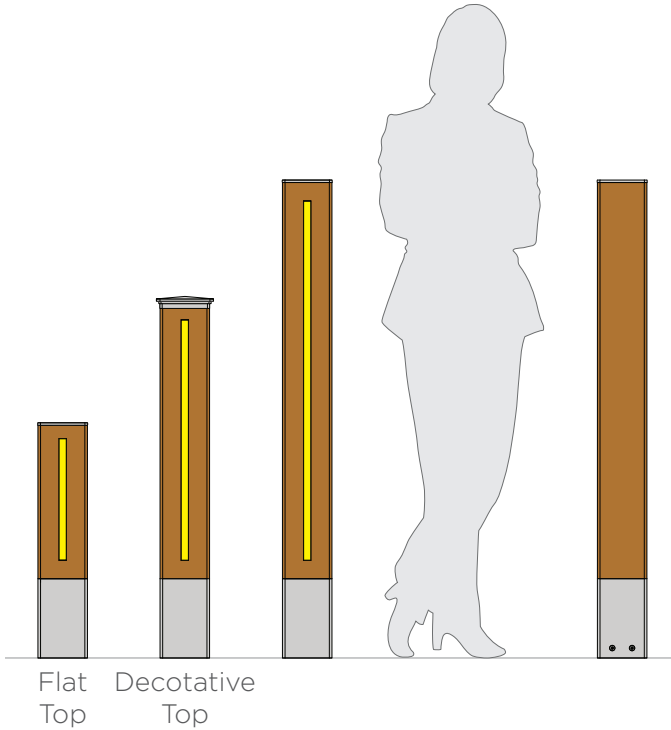
Spar Bollard LED

Square Wood Bollard with Linear LED

STRUCTURA

FIXTURE TYPE: _____

PROJECT NAME: _____



Glulam solid wood and aluminum bollard in 24", 36", and 48" heights with decorative LED strip.

FEATURES:

- Smooth, dot free lumination
- 90+ CRI
- Multiple static color options and color changing RGB available
- Integral power supply

SPECIFICATIONS:

HOUSING: Solid wood bollard is assembled through glulam construction and precision machined using CNC technology. Adhesive complies with ASTM D-2559 glulam construction specifications for extreme exposed weather conditions, is waterproof and rated for wet or dry use exposure.

Glulam wood shaft is fastened to an aluminum base tube secured to a steel anchor bolt base. Anchor bolt kit includes (4) 3/8" hot dip galvanized anchor bolts and fasteners and ridged concrete pour template.

ELECTRICAL: Powered by a 100-277VAC primary/24VDC secondary integral power supply. Dimming requires remote power source. Constructed with a US and Canada UL listed luminaire. Minimum -4°F operating temperature.



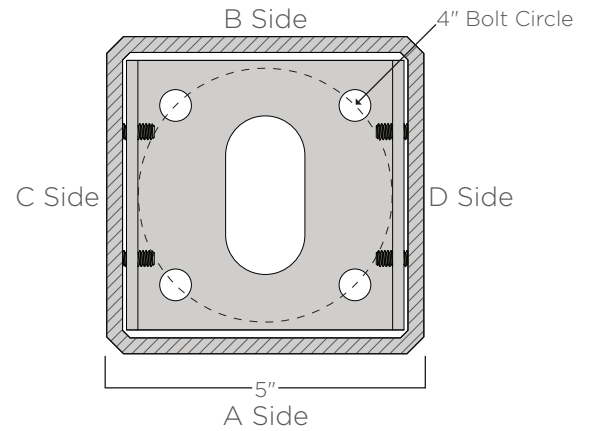
OPTICAL SYSTEM: Available in 2700K, 3000K, 3500K, 4000K color temperatures with smooth, dot free illumination. Consult factory for other lumen outputs.

FINISHES AND MATERIALS: Woods are finished with a low VOC waterborne matte exterior finish containing UV and mildew inhibitors. All exterior aluminum parts are polyester powder coat painted. [Care and Maintenance](#)

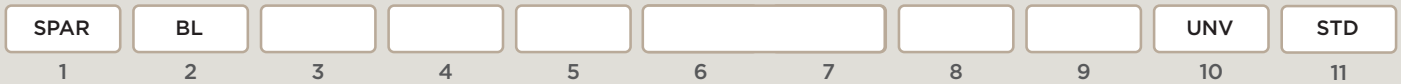
HARDWARE: Fasteners are stainless steel. Anchor bolt kits are hot dip galvanized.

Height	Standard Output		Medium Output		High Output	
	Lumens ⁽¹⁾	Watts	Lumens ⁽¹⁾	Watts	Lumens ⁽¹⁾	Watts
24"	108	2	198	3	294	5
36"	216	3	396	6	588	10
48"	324	4	594	9	882	15

[IES file download](#)



ORDERING GUIDE: EXAMPLE: SPAR-BL-36-M-ACD-L35SO-S2-C7-UNV-STD



1	Series	6	Light Color	8	Wood Finish
SPAR	Spar	L27	2700K	S*	See color options on finishes technical sheet
2	Shaft Shape	L30	3000K	9	Metal Finish
BL	Bollard	L35	3500K	C*	See color options on finishes technical sheet
3	Height	L40	4000K	CSM	Custom Color
24	24"	AMB	Amber	10	Voltage
36	36"	RED	Red	UNV	120-277VAC
48	48"	GRN	Green	11	Special
4	Top	BLU	Blue	STD	Standard
C	Decorative Top	RGBW/**	Color Changing ⁽²⁾		
M	Flat Metal Top	7	Light Source⁽³⁾		
5	Illumination	SO	Standard Output		
A	A Side	MO	Mid Output		
B	B Side	HO	High Output		
C	C Side				
D	D Side				
N/A	No LED Source				

1. Lumen output based upon 3000K CCT.

2. RGBW can be specified with 2700, 3000, 3500, or 4000K. Requires remote controller. Consult factory for RGBW color control options.

3. Consult factory for higher output.