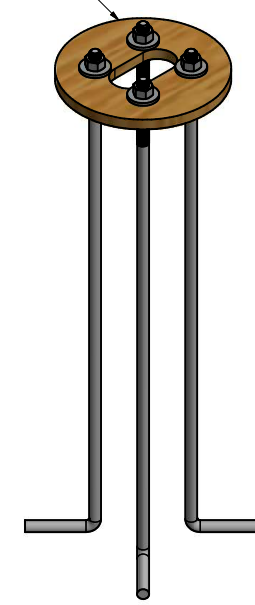
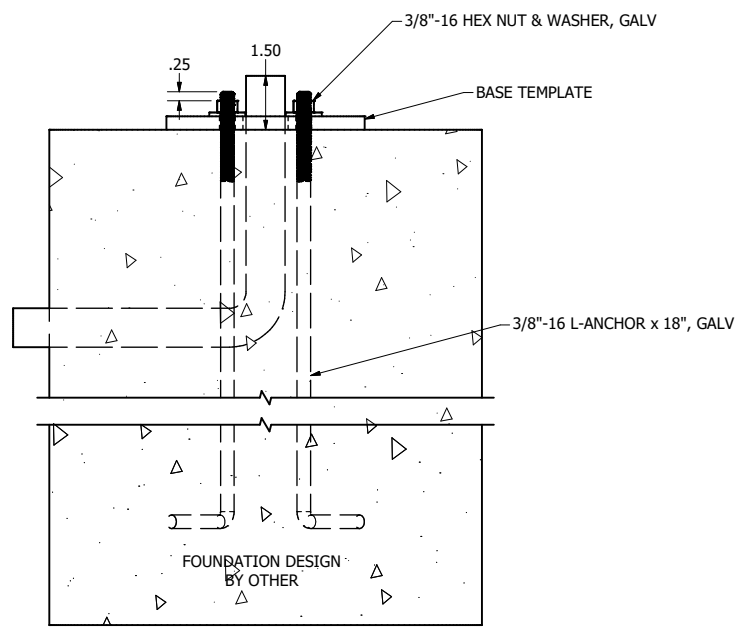
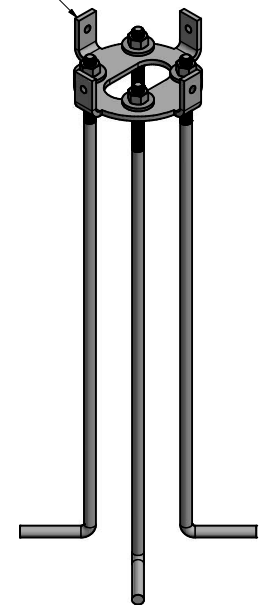


FIGID BASE TEMPLATE  
MATCHES BOLLARD SIZE



BASEPLATE



Use baseplate template to install anchor bolts as shown. Slope concrete away from baseplate. After concrete has set, remove baseplate from bollard by removing four screws. Replace template with bollard baseplate. Tighten 3/8"-16 hex nuts until baseplate is secure. Set bollard onto baseplate and secure screws.

Typical Bol Bollard LED Anchor Bolt Installation

STAMP

**STRUCTURA**  
19922 W. 162nd Street phone 913.390.8787  
Olathe, KS 66062 projects@structura.com

Bol Bollard LED

SHEET NUMBER	REVISION	DATE	DRAWING
1 of 1		1/7/2019	BBL-LED - Anchor Bolt.idw