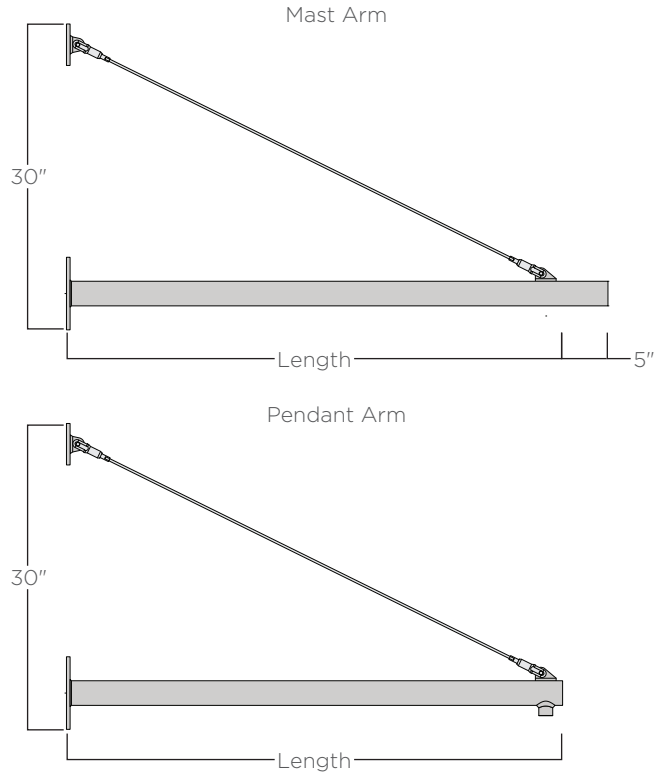


FIXTURE TYPE: _____

PROJECT NAME: _____



Luminaire by others.



SPECIFICATIONS:

CONSTRUCTION: Constructed using a three-part system of two aluminum weldments connected with a stainless steel tie back rod. The arm and top mounting point are weldments of 6061-T6 aluminum plates and 6061-T6 aluminum tubes.

FINISHES AND MATERIALS: All aluminum parts are polyester powder coat painted to AAMA-2604 standards.

ELECTRICAL: Electrical raceway through mounting tube to wire chase inside the pole.

HARDWARE: All luminaire hardware is stainless steel.

FIXTURE MOUNTING: Arm is made for 2 3/8" slip fit fixtures. Pendant mounting thread size to be specified.

ORDERING GUIDE: EXAMPLE: ALEX-MAST-36-C7-RND



1	Series	3	Length	4	Metal Finish	5	Mounting
ALEX	Alex	24	24"	C*	See color options on finishes technical sheet	RND	Round Pole
2	Fixture	36	36"	CSM	Custom Color	SQR	Square Pole
MAST	Mast Arm	48	48"			WALL	Wall Mount
PEN	Pendant						