

Corde

Installation Instructions

STRUCTURA

Warnings

CAUTION—risk of fire and this product must be installed in accordance with the applicable installation code by a person familiar with the construction and operation of the product and the hazards involved.

Suitable for wet locations.

Mounting orientation must have light source facing down.

Electrical service must be disconnected during installation.

Proper grounding is required to protect against shock and proper operation.

Tools Required

8/32 Allen wrench

Wiring tools and connectors

Bollard Installation

Step 1: Turn off power to location.

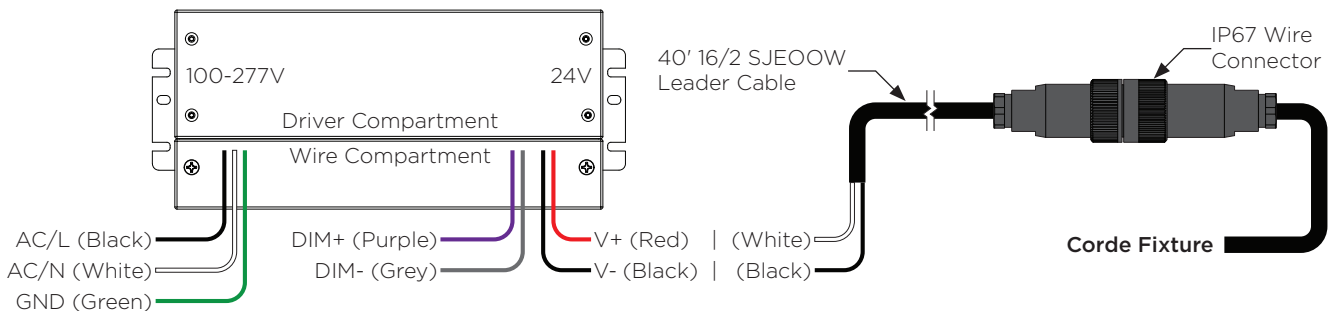
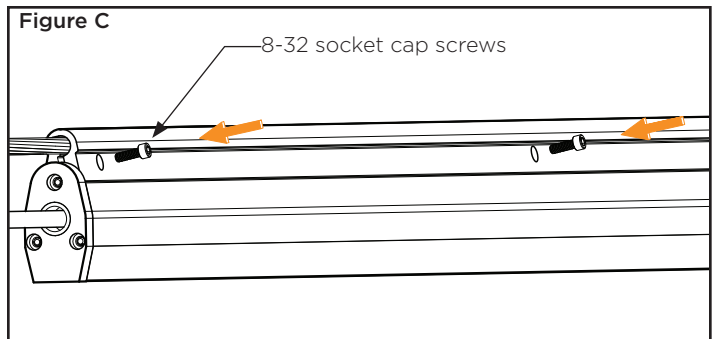
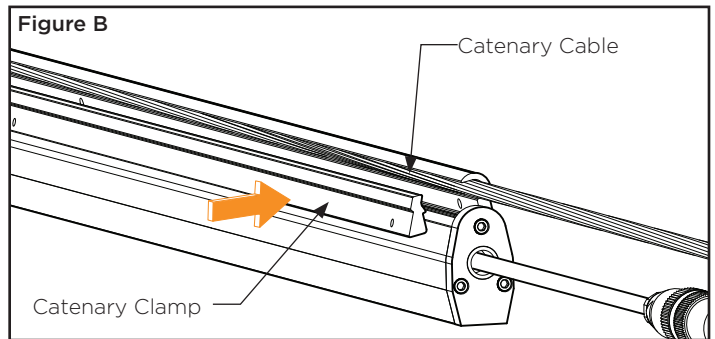
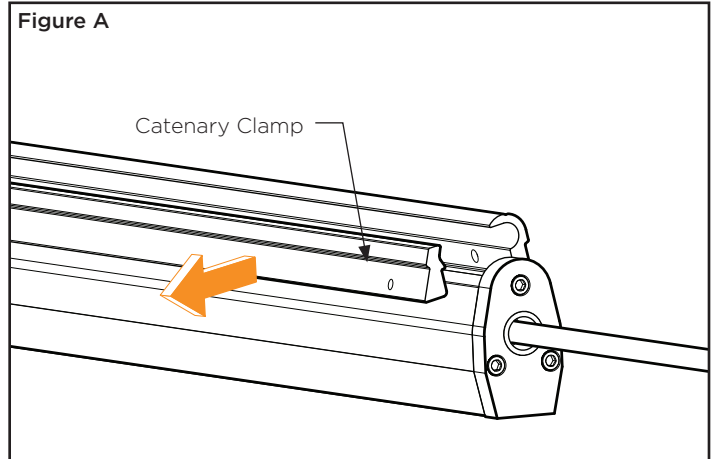
Step 2: Remove catenary clamp from main body by removing 8-32 socket cap screws as shown in Figure A.

Step 3: Place fixture on catenary cable with the cable running in the horizontal channel, place catenary clamp back on to the fixture as shown in Figure B.

Step 4: Secure with 8-32 socket cap screws as shown in Figure C.

Step 5: Connect IP67 wire connectors to lead wire.

Step 6: Turn power back on.



Suitable for indoor or outdoor use. Horizontal or vertical mounting. End and side knockout locations of 7/8" (1/2" trade size"). When installing multiple power supplies, separate the enclosures by at least 3" of space from edge to edge to prevent a rise of ambient temperature between the power supplies.