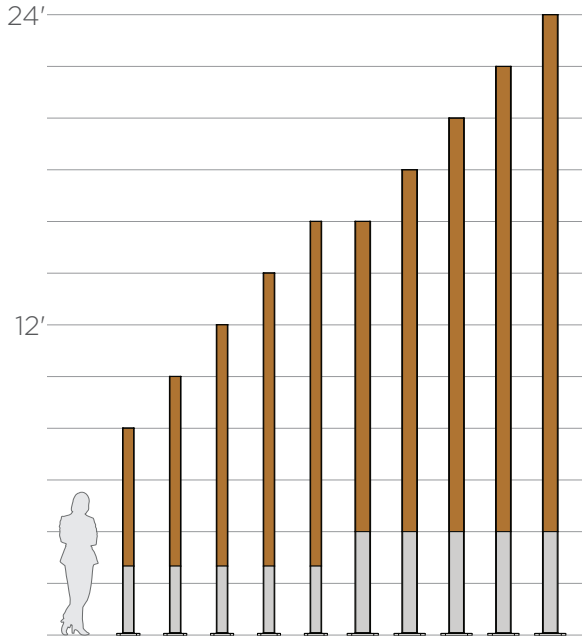


FIXTURE TYPE: _____

PROJECT NAME: _____



Glulam solid wood and aluminum pole available in 8' – 24' heights. Tenon adapters, slip fitters and side bracket mounts are available for luminaire mounting.

FEATURES:

- Square extruded aluminum pole base with flush handhole cover held with countersunk stainless steel fasteners.
- Straight, square, solid glulam wood pole

SPECIFICATIONS:

HOUSING: Solid wood pole is assembled through glulam construction and precision machined using CNC technology. An electrical raceway is provided in the pole's center for wiring. Laminations measure no more than 2" in thickness. Adhesive complies with ASTM D-2559 glulam construction specifications for extreme exposed weather conditions, is waterproof and rated for wet or dry use exposure.

Glulam wood shaft is fastened to aluminum pole base welded to a 3/4" thick aluminum anchor bolt base. Anchor bolt kit includes (4) 3/4" hot dip galvanized anchor bolts and fasteners and ridged concrete pour template.

FIXTURE MOUNTING: Fixtures mount either by 2 3/8", 2 7/8", 3 1/2", or 4" diameter by 4" tall tenon or drill mount for arm brackets. Consult factory for other tenon sizes. Luminaires shall be provided by others.

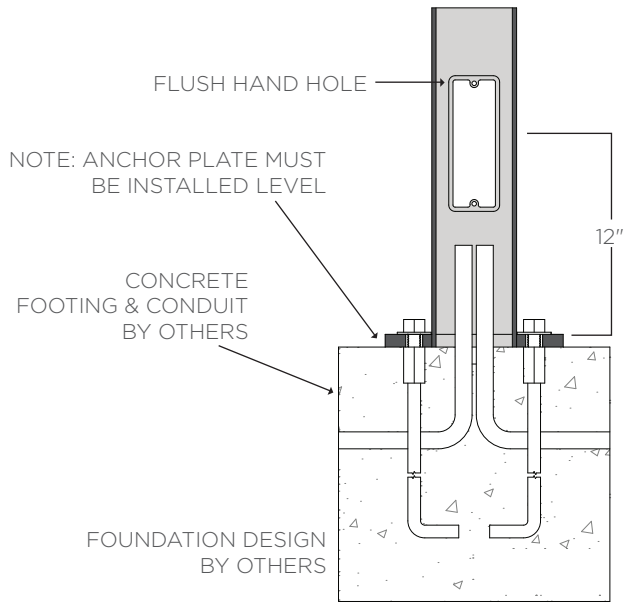


ELECTRICAL: A 5/16" – 18 grounding point is provided on the aluminum pole base. Wireway access is provided through a NEC compliant handhole with a flush, gasketed cover plate.

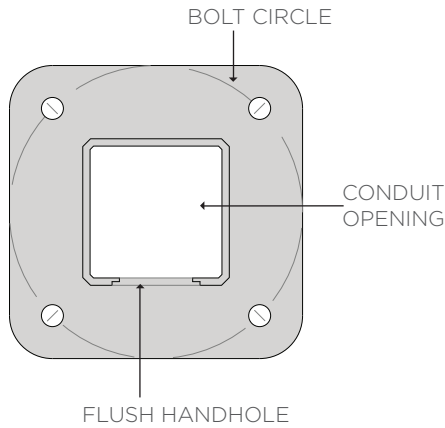
FINISHES AND MATERIALS: Woods are finished with a low VOC waterborne matte exterior finish containing UV and mildew inhibitors. All aluminum parts are polyester powder coat painted.

HARDWARE: Fasteners are stainless steel. Anchor bolt kits are hot dip galvanized.





Pole Size	Bolt Circle	Conduit Opening
5.0"	10" dia.	4.5" square
7.0"	14" dia.	6.5" square



ORDERING GUIDE: EXAMPLE: SPAR-S-22-70-50-S1-C2-T3124-STD



1	Series	4	Base Dimension	8	Fixture Mounting
SPAR	Spar	50	5.0" ⁽¹⁾	Tenon	
2	Shaft Shape	70	7.0" ⁽²⁾	T2384	2 3/8" x 4" Tenon
S	Square Straight	5	Top Dimension	T2784	2 7/8" x 4" Tenon
T	Square Tapered	40	4.0"	T3124	3 1/2" x 4" Tenon
SQRD	Square to Round	50	5.0"	T4004	4" x 4" Tenon
3	Height	70	7.0"	TXXX	Specify other Tenon
8	8'	6	Wood Finish	Drill	
10	10'	S*	See color options on finishes technical sheet	D1	1 @ 90deg
12	12'	7	Metal Finish	D2	2 @ 180deg
14	14'	C*	See color options on finishes technical sheet	D3	2 @ 90deg
16	16'	CSM	Custom Color	D4	3 @ 90deg
18	18'			D5	4 @ 90deg
20	20'			9	Special
22	22'			STD	Standard
24	24'			MOD	Modified

1. Max height for 5.0" square pole is 18'.
 2. Max height for 7.0" square pole is 24'.