

# Tandem Evo Curved Double Upright Pole

STRUCTURA

FIXTURE TYPE: \_\_\_\_\_

PROJECT NAME: \_\_\_\_\_



Shown with banner arm mounting option.

Double aluminum extrusion uprights with wood or metal side accent panels and fixture arm for pedestrian and roadway pole.

## FEATURES:

- Roadway or pedestrian pole heights up to 24'
- Available with multiple fixture arm mounting options
- Available with wood, aluminum, or weathering steel side panels

## SPECIFICATIONS:

**CONSTRUCTION:** Rectangular extruded 6061-T6 aluminum alloy tube fastened to a square 6061-T6 base support welded to 319SR aluminum alloy baseplate.

**ELECTRICAL:** A 5/16" - 18 grounding point is provided on the aluminum pole center support. Wireway access is provided through a NEC compliant handhole on the back of the base support.

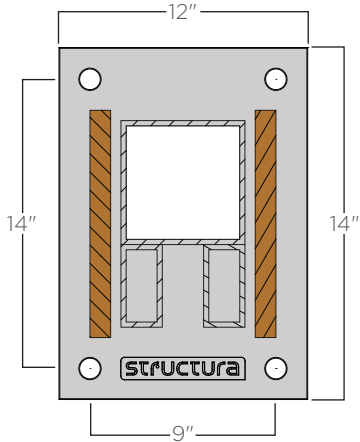
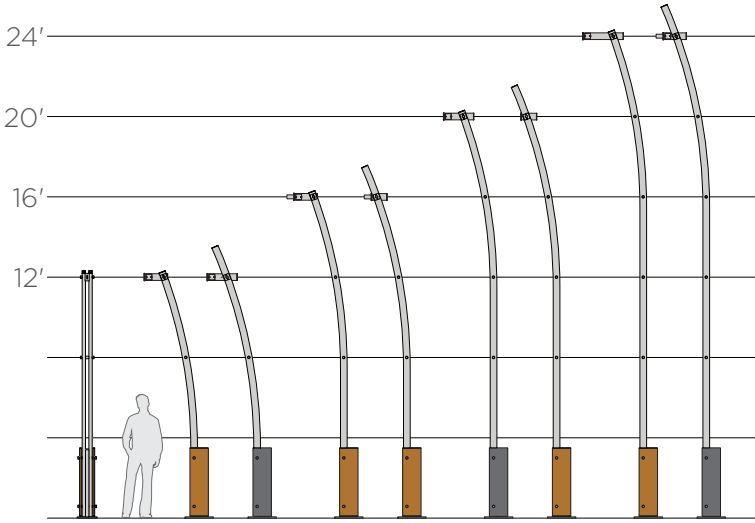
**FINISHES AND MATERIALS:** All aluminum parts are polyester powder coat painted to AAMA-2604 standards. Wood pieces are finished with a low VOC waterborne matte exterior finish containing UV and mildew inhibitors. [Care and Maintenance](#)

**HARDWARE:** All hand hole fasteners and luminaire bracket arm hardware are stainless steel. Anchor bolt kits are ASTM F1554 grade 55 steel with galvanized steel hex nuts and washers.

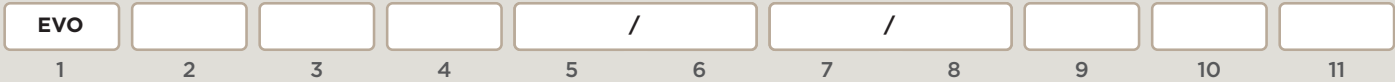
**FIXTURE MOUNTING:** Fixtures mount pole to arm with welded on bolt plate or tenon. Luminaires and accessories shall be provided by others.



Shown with Structura Lineal luminaire.



**ORDERING GUIDE:** EXAMPLE: EVO-16-C4-125-A16/BP-B0-P1/S4-STD



<b>1</b>	<b>Series</b>	<b>5</b>	<b>A Side (Front)</b>	<b>8</b>	<b>Mounting Type<sup>(3)</sup></b>	
<b>EVO</b>	Tandem Evo	<b>A0</b>	Fixture Mounting Height	<b>MA</b>	<b>2 3/8" Diameter Mast Arms</b> Flush Mount <b>MAR</b> Flush Mount with 6" Rear Extension <b>MA12</b> 12" Arm <b>MA12R</b> 12" Arm with 6" Rear Extension	
<b>2</b>	<b>Pole Height</b>	<b>A12</b>	No fixture on this side	<b>BP</b>		
<b>12</b>	12'	<b>A16</b>	12'	<b>BPR</b>		
<b>13.5</b>	13.5'	<b>A20</b>	16'	<b>BP12</b>		
<b>16</b>	16'	<b>A24</b>	20'	<b>BP12R</b>	12" Arm with 6" Rear Extension	
<b>17.5</b>	17.5'	<b>6</b>	<b>Mounting Type<sup>(3)</sup></b>	<b>9</b>	<b>Panel Material</b>	
<b>20</b>	20'	<b>MA</b>	<b>2 3/8" Diameter Mast Arms</b> Flush Mount <b>MAR</b> Flush Mount with 6" Rear Extension <b>MA12</b> 12" Arm <b>MA12R</b> 12" Arm with 6" Rear Extension	<b>P1/S*</b>	Wood (specify wood color) <sup>(4)</sup>	
<b>21.5</b>	21.5'	<b>BP</b>		<b>Bolt Plates</b>	<b>P2/C*</b>	Aluminum (specify paint color) <sup>(4)</sup>
<b>24</b>	24'	<b>BPR</b>		Flush Mount	<b>WS</b>	Weathering Steel
<b>25.5</b>	25.5'	<b>BP12</b>		Flush Mount with 6" Rear Extension	<b>10</b>	<b>Options</b>
<b>3</b>	<b>Pole Finish</b>	<b>BP12R</b>	12" Arm with 6" Rear Extension	<b>BNR</b>	Banner Arms <sup>(5)</sup>	
<b>C*</b>	See color options on finishes technical sheet	<b>7</b>	<b>B Side (Back)</b>	<b>GFCI</b>	GFCI Box and Cover	
<b>CSM</b>	Custom Color <sup>(1)</sup>	<b>B0</b>	Fixture Mounting Height	<b>11</b>	<b>Special</b>	
<b>4</b>	<b>Wall Thickness<sup>(2)</sup></b>	<b>B12</b>	No fixture on this side	<b>STD</b>	Standard	
<b>125</b>	0.125" Wall	<b>B16</b>	12'	<b>MOD</b>	Modified	
<b>250</b>	0.25" Wall	<b>B20</b>	16'			
		<b>B24</b>	20'			
		<b>A24</b>	24'			

1. Consult factory on custom colors  
 2. Wall thickness determines the poles' maximum wind load per a given wind zone. See wind loading tables.  
 3. Leave this section blank if no fixture is on this side.  
 4. See color options on finishes technical sheet.  
 5. Consult factory for allowable banner size based upon EPA.