

### Warnings

CAUTION—risk of fire and this product must be installed in accordance with the applicable installation code by a person familiar with the construction and operation of the product and the hazards involved.

Suitable for wet locations.

Mounting orientation must have light source facing down.

Electrical service must be disconnected during installation.

Proper grounding is required to protect against shock and proper operation.

### Fasteners Provided

- (2) 3/8"-16 x 4 1/2" stainless steel bolts
- (2) 3/8" stainless steel washers

### Tools Required

- 9/16" wrench or socket for 3/8" mounting bolts
- Wiring tools and connectors

### Single Fixture Mounting

Step 1: Turn power off

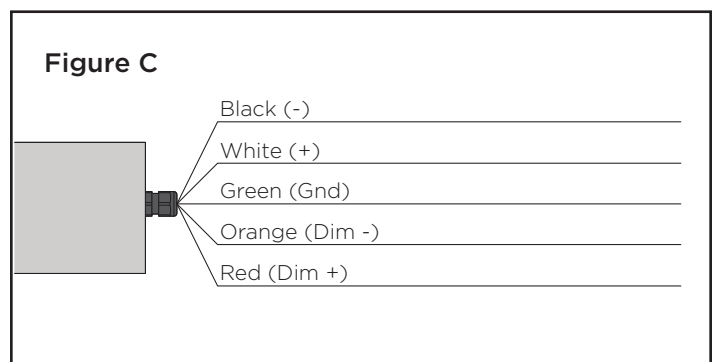
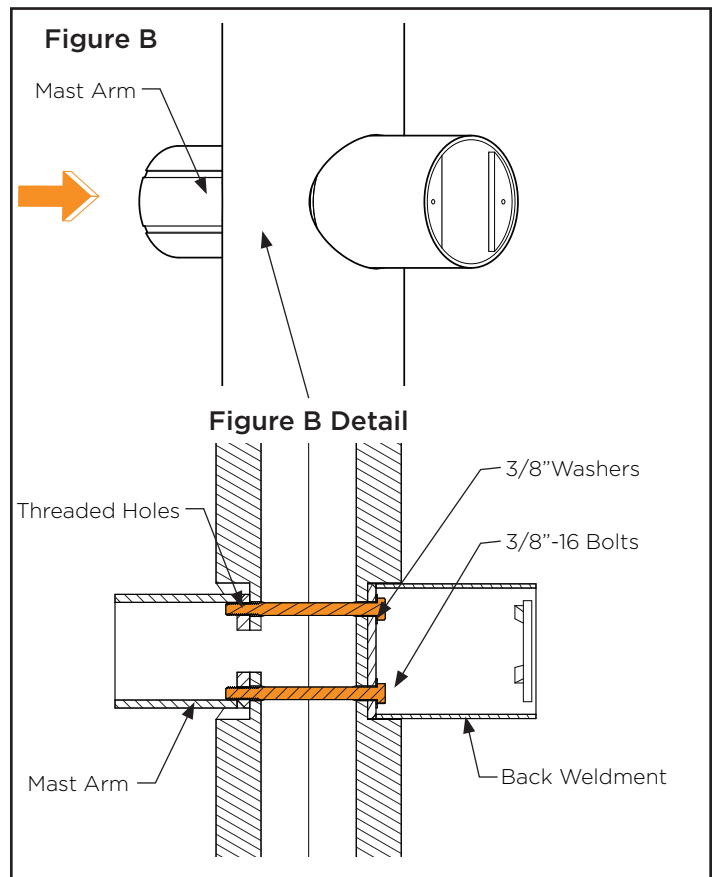
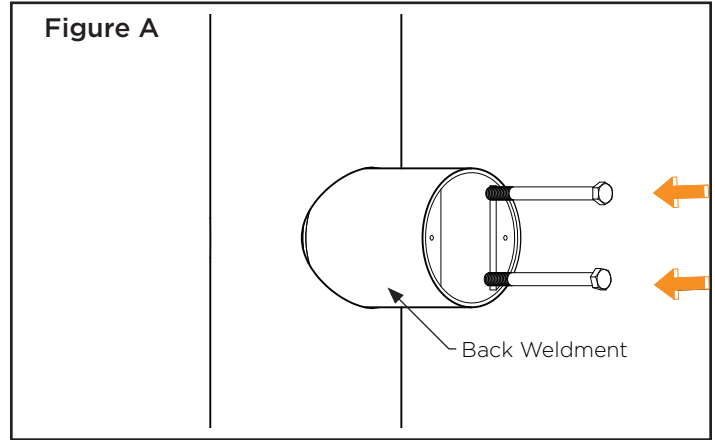
Step 2: Place back weldment in the void on the pole and secure with 3/8 bolts as seen in Figure A

Step 3: Route SJEOOW wire whip from fixture through void hole in pole.

Step 4: Secure bolts in threaded holes on the mast arm adapter as seen in Figure B and Figure B Detail

Step 5: Fasten (2) 3/8"-16 bolt with washer as shown in Figure B Detail. Torque bolts to 20lb-ft.

Step 6: Connect 5 conductor wire from fixture to incoming wire feed as shown in Figure C. If 0-10V dimming is not required, terminate ends from fixture lead wire.



## Fasteners Provided

- (2) 8-32 x 1" stainless steel flat head security screw
- (2) 1/4"-20 Set Screw x 3/8"

## Tools Required

T20 Security Bit

## Single Fixture Mounting

Step 7: Slide fixture onto mast arm with light source facing down and secure with set screws as seen in Figure D.

Step 8: Secure metal backplate as seen in Figure E

Step 9: Turn power on.

