

# Elm Column

## Installation Instructions

STRUCTURA

### Warnings

CAUTION—risk of fire and this product must be installed in accordance with the applicable installation code by a person familiar with the construction and operation of the product and the hazards involved.

Suitable for wet locations.

Mounting orientation must have light source facing down.

Electrical service must be disconnected during installation.

Proper grounding is required to protect against shock and proper operation.

### Tools Required

T20 Tamper-resistant drive for handhole cover screws

3/4" socket or wrench for anchor bolts

Wiring tools and connectors

### Bollard Installation

Step 1: Turn off power to location.

Step 2: Put on (4) 3/4" washer then secure (4) 3/4-10 hex nuts to anchor bolts as seen in Figure A.

Step 3: Slide the baseplate cover together so that the screw holes line up as seen in Figure B

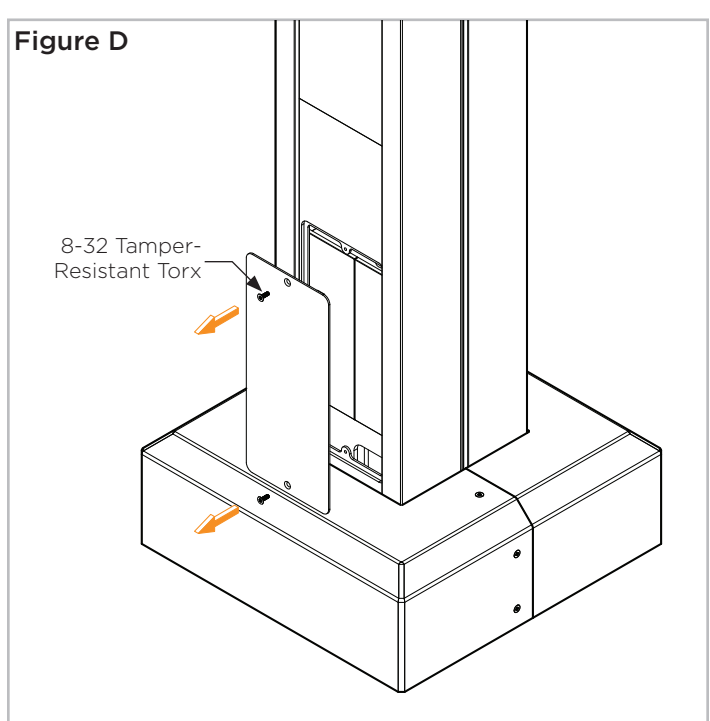
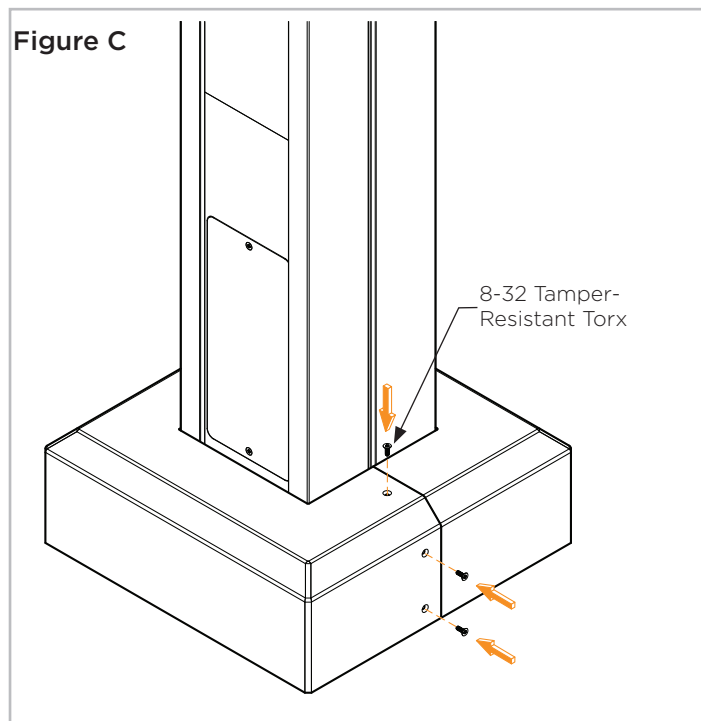
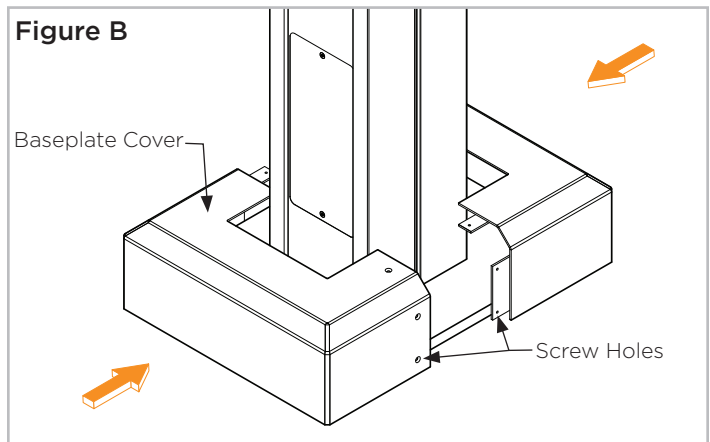
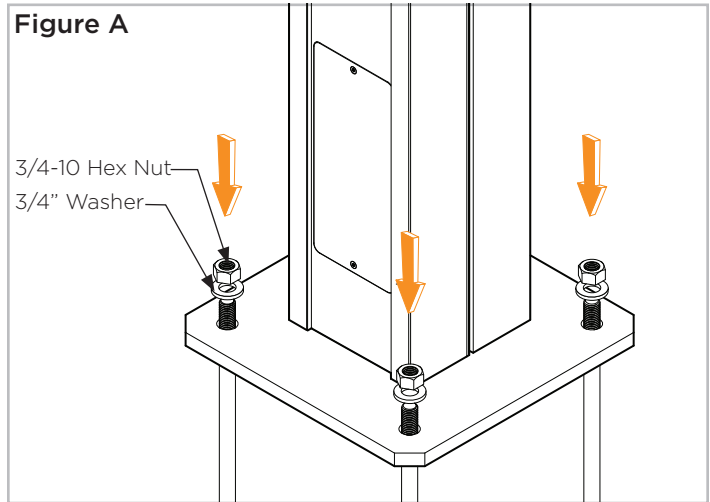
Step 4: Secure (6) 8-32 x 1/2" SS Torx screws into baseplate cover as seen in Figure C

Step 5: Remove handhole cover.

Step 6: Connect to power.

Step 7: Re-secure handhole cover.

Step 8: Turn power back on.



# Elm Column

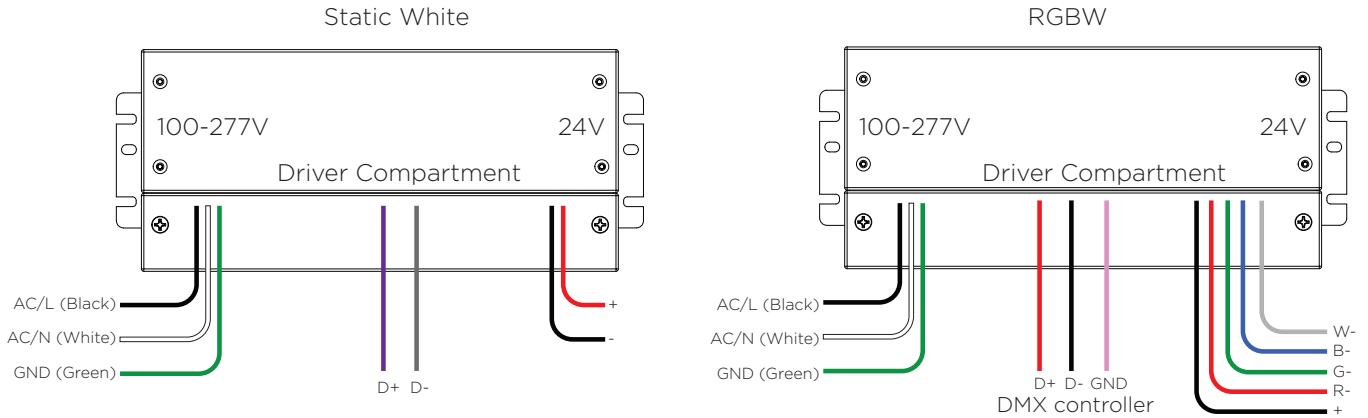
## Installation Instructions

### Bollard Wiring

Step 1: Connect input power to driver pigtail as shown above.

Step 2: Connect dimming wires to remote dimmer (by others) if applicable.

Step 3: Connect grounding wire to ground pigtail attached to driver box tray.



### Base Detail

