

Tandem Tilt Tilted Double Upright Pole

FIXTURE TYPE: _____

PROJECT NAME: _____



Shown with Structura Lineal Luminaire.

Double aluminum extrusion uprights with wood or metal side accent panels and fixture arm for pedestrian and roadway pole.

FEATURES:

- Roadway or pedestrian pole heights up to 24'
- Available with multiple fixture arm mounting options
- Available with wood, aluminum, or weathering steel side panels

SPECIFICATIONS:

CONSTRUCTION: Rectangular extruded 6061-T6 aluminum alloy tube fastened to a square 6061-T6 base support welded to 319SR aluminum alloy baseplate.

ELECTRICAL: A 5/16" - 18 grounding point is provided on the aluminum pole center support. Wireway access is provided through a NEC compliant handhole on the back of the base support.

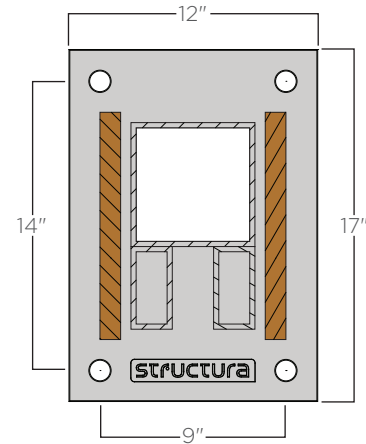
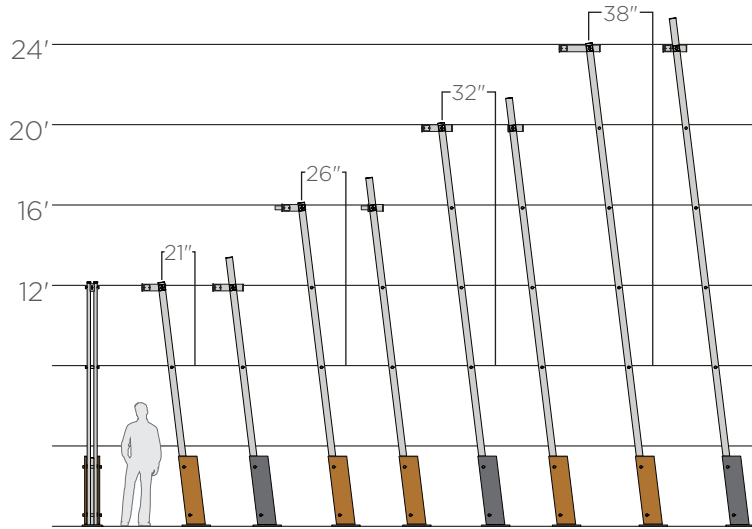
FINISHES AND MATERIALS: All exterior aluminum parts are polyester powder coat painted to AAMA-2604 standards. Wood pieces are finished with a low VOC waterborne matte exterior finish containing UV and mildew inhibitors. [Care and Maintenance](#)

HARDWARE: All hand hole fasteners and luminaire bracket arm hardware are stainless steel. Anchor bolt kits are ASTM F1554 grade 55 steel with galvanized steel hex nuts and washers.

FIXTURE MOUNTING: Fixtures mount pole to arm with welded on bolt plate or tenon. Luminaires and accessories shall be provided by others.



Shown with weathering steel accent panels.



ORDERING GUIDE: EXAMPLE: TILT-25.5-C5-250-A24/MA12-BO-P2/C7-BD-STD

TILT				/	/					STD	
1	2	3	4	5	6	7	8	9	10	11	12

1	Series	5	A Side (Front) Fixture Mounting Height	8	Mounting Type⁽³⁾
TILT	Tandem Tilt	A0	No fixture on this side	MA	2 3/8" Diameter Mast Arms
2	Pole Height	A12	12'	MAR	Flush Mount
12	12'	A16	16'	MA12	Flush Mount with 6" Rear Extension
13.5	13.5'	A20	20'	MA12R	12" Arm
16	16'	A24	24'		12" Arm with 6" Rear Extension
17.5	17.5'			BP	Bolt Plates
20	20'	6	Mounting Type⁽³⁾	BPR	Flush Mount
21.5	21.5'	MA	2 3/8" Diameter Mast Arms	BP12	Flush Mount with 6" Rear Extension
24	24'	MAR	Flush Mount	BP12R	12" Arm
25.5	25.5'	MA12	Flush Mount with 6" Rear Extension		12" Arm with 6" Rear Extension
3	Pole Finish	MA12R	12" Arm with 6" Rear Extension	9	Panel Material
C*	See color options on finishes technical sheet			P1/S*	Wood (specify wood color) ⁽⁴⁾
CSM	Custom Color ⁽¹⁾	BP	Bolt Plates	P2/C*	Aluminum (specify paint color) ⁽⁴⁾
4	Wall Thickness⁽²⁾	BPR	Flush Mount	WS	Weathering Steel
125	0.125" Wall	BP12	Flush Mount with 6" Rear Extension	10	Options
250	0.25" Wall	BP12R	12" Arm with 6" Rear Extension	BNR	Banner Arms ⁽⁵⁾
				GFCI	GFCI Box and Cover
		7	B Side (Back) Fixture Mounting Height	11	Anchor Bolts
		BO	No fixture on this side	BD	Bolt Down Anchors (recommended)
		B12	12'	CN	Traditional Anchors with Cap Nuts
		B16	16'	12	Special
		B20	20'	STD	Standard
		A24	24'		

1. Consult factory on custom colors
 2. Wall thickness determines the pole's maximum wind load per a given wind zone. See wind loading tables.
 3. Leave this section blank if no fixture is on this side.
 4. See color options on finishes technical sheet.
 5. Consult factory for allowable banner size based upon EPA.