

FIXTURE TYPE: _____

PROJECT NAME: _____



SPECIFICATIONS:

CONSTRUCTION: Housing comprised of two-part die cast aluminum components with a stainless steel mounting plate.

ELECTRICAL: Powered by an intergral 120-277VAC constant current driver. Standard output is 14W and 713 lumens. Optional 0-10V dimming with remote driver. Operating temperature of -4°F to 122°F.

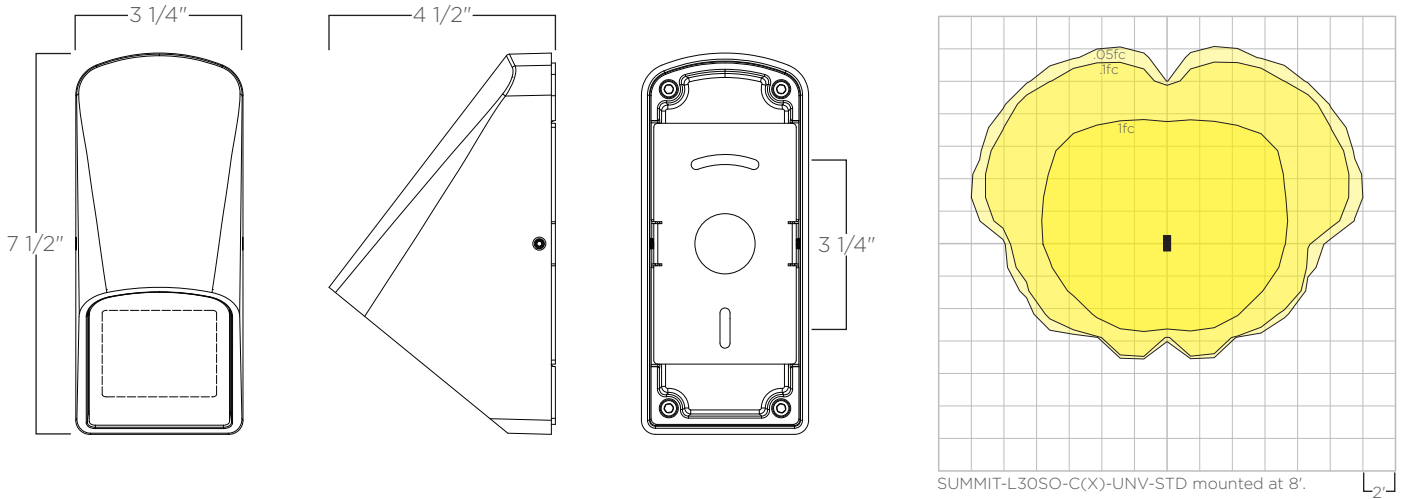
OPTICAL SYSTEM: COB LED has solderless connections for field upgradability. Available in color temperature of 2700, 3000, 3500, and 4000K with >80 CRI standard. Optional >90 CRI. Built in optical reflector covered by clear tempered glass. Consult factory for additional color temperatures or lumen outputs.

FINISHES: All exterior aluminum parts are polyester powder coat painted to meet AAMA-2604 standards. See Structura's finish options for available standard finishes. [Care and Maintenance](#)

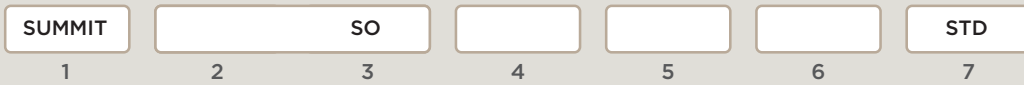
LISTINGS & RATINGS: Luminaire CSA listed according to CSA C22.2 No. 250.0-21/UL Standard 1598, 5th edition. Suitable for wet locations. LM-80 test reported L70 > 66,000 hours. IP66 rated.

WARRANTY: 5-year warranty on LED and drivers.





ORDERING GUIDE: EXAMPLE: SUMMIT-L30SO-C6-UNV-STD



1 Series
SUMMIT Summit

2 Color Temperature⁽¹⁾
L27 2700K
L30 3000K
L35 3500K
L40 4000K

3 Output⁽¹⁾
SO Standard Output

4 Metal Finish
C* See color options on finishes technical sheet
CSM Custom Color

5 Voltage
UNV 120-277V
REM Remote 120-277V⁽²⁾

6 Option
90 >90 CRI⁽³⁾

7 Special
STD Standard

1. Contact factory for alternative color temperatures or outputs.
2. Remote driver is required for 0-10V dimming controls.
3. Standard CRI is >80.