

Warnings

CAUTION—risk of fire and this product must be installed in accordance with the applicable installation code by a person familiar with the construction and operation of the product and the hazards involved.

Suitable for wet locations.

Mounting orientation must have light source facing down.

Electrical service must be disconnected during installation.

Proper grounding is required to protect against shock and proper operation.

Tools Required

- 4" octagonal junction box
- Phillips screwdriver
- 4' level
- Cable cutters

Installation

Step 1: Install power supply at remote location. Voltage drop must be <5%.

Step 2: Install canopy and eye nut to ceiling on 1/4"-20 stud, installed by contractor as shown in Figure A. Apply thread locker to both eye nut and stud.

Step 3: Attach snap hook to eye nuts located on the fixture as shown in Figure B.

Step 4: Insert cable and wire thimble through ceiling eye nuts and into cable adjusters as shown in Figure B.

Step 5: Route power cord through 5" canopy and connect 24V wiring from power supply.

Step 6: Secure canopy bar to 4" octagonal junction box, installed by contractor.

Step 7: Secure 5" canopy by screwing eye nut onto canopy bar. Apply thread locker to both eye nut and screw.

Step 8: Adjust and level luminaire to desired position using cable adjusters. Cut excess cable.

Step 9: Snap strain relief onto power cord and secure into canopy.

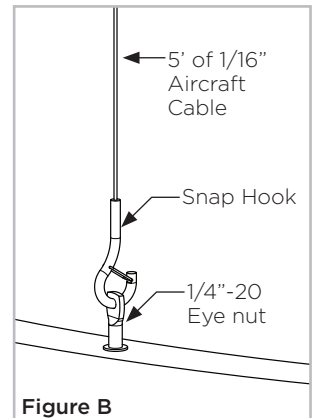
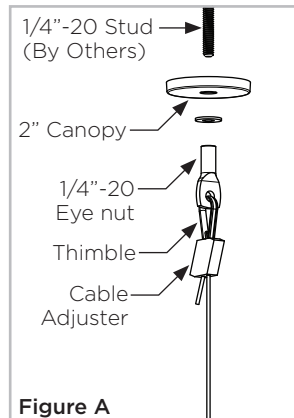
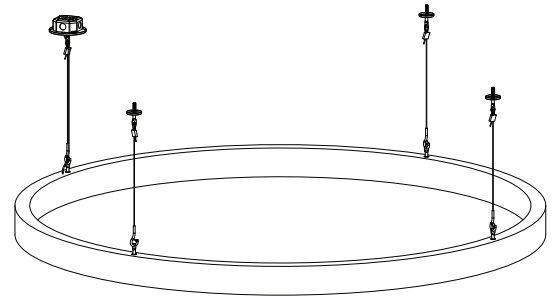


Figure A

Figure B

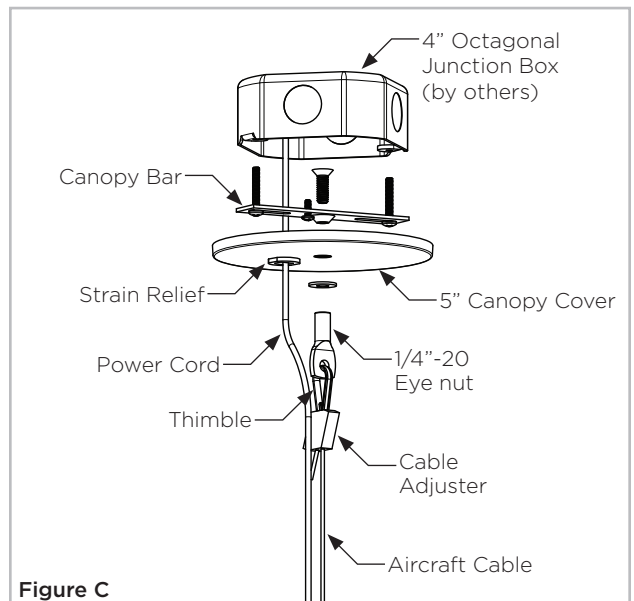
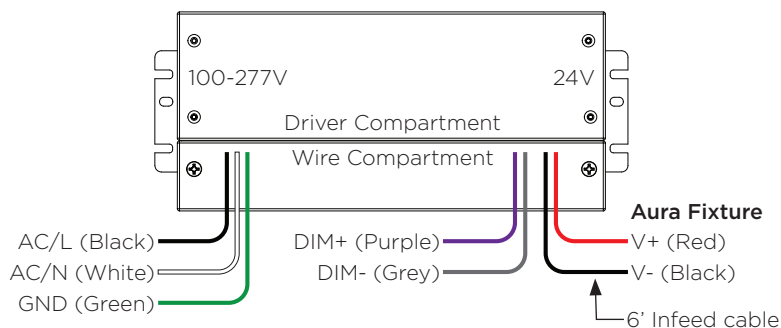


Figure C



Suitable for indoor or outdoor use. Horizontal or vertical mounting. End and side knockout locations of 7/8" (1/2" trade size"). When installing multiple power supplies, separate the enclosures by at least 3" of space from edge to edge to prevent a rise of ambient temperature between the power supplies.