

Warnings

CAUTION—risk of fire and this product must be installed in accordance with the applicable installation code by a person familiar with the construction and operation of the product and the hazards involved.

Suitable for wet locations.

Mounting orientation must have light source facing down.

Electrical service must be disconnected during installation.

Proper grounding is required to protect against shock and proper operation.

Tools Required

9/64" Allen wrench for 8-32 socket cap screws.

7/16" wrench for jam nuts.

4' level

Installation

Step 1: Install exterior power supply at remote location up to 40' away.

Step 2: Position power cable from luminaire to nearest point of power supply along steel cable.

Step 3: Connect rail clamps and cable clamps using 9/64" Allen wrench. Ensure Belleville washer is on screw but do not fully tighten

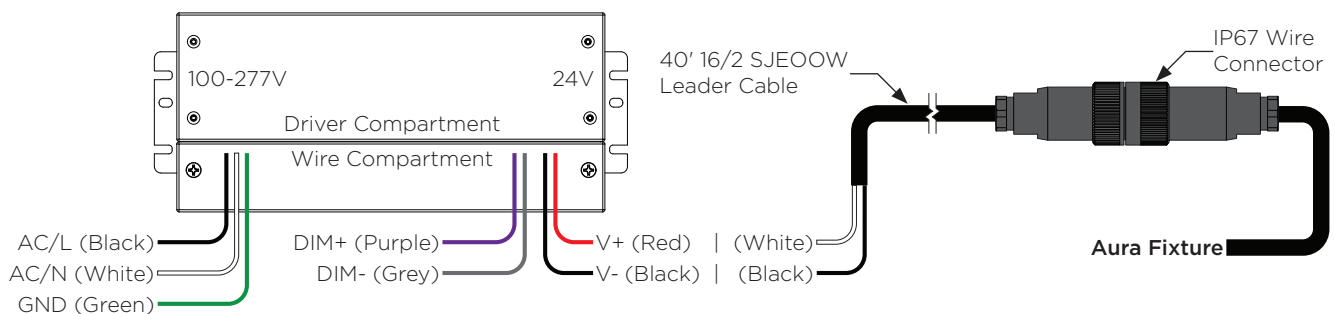
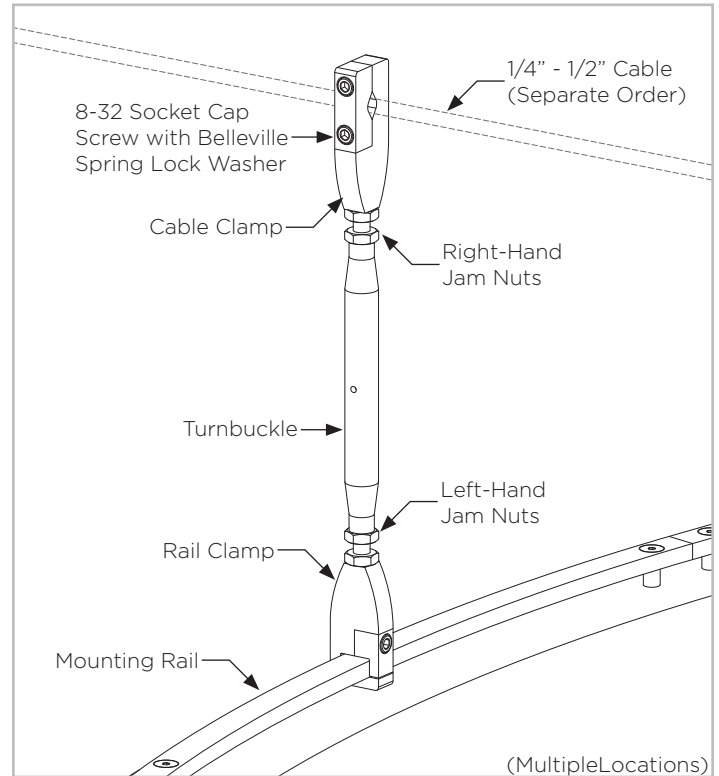
Step 4: Move fixture to final desired position. Ensure that clamp arm is perpendicular to cable and ring. Fully tighten rail and cable clamp screws.

Step 5: Adjust turnbuckles to level the fixture horizontally. Turnbuckles have 3" of adjustment length.

Step 6: Tighten jam nuts to secure turnbuckles using 7/16" wrench and metal pin through turnbuckle. Tighten jam nuts to 8ft-lbs.

Step 7: Attach supplied safety cable to mounting rail and catenary cable.

Step 8: Connect exterior connector from fixture to wire whip. Connect whip to 24V side of power supply. Secure wire to cable with standard cable ties.



Suitable for indoor or outdoor use. Horizontal or vertical mounting. End and side knockout locations of 7/8" (1/2" trade size"). When installing multiple power supplies, separate the enclosures by at least 3" of space from edge to edge to prevent a rise of ambient temperature between the power supplies.