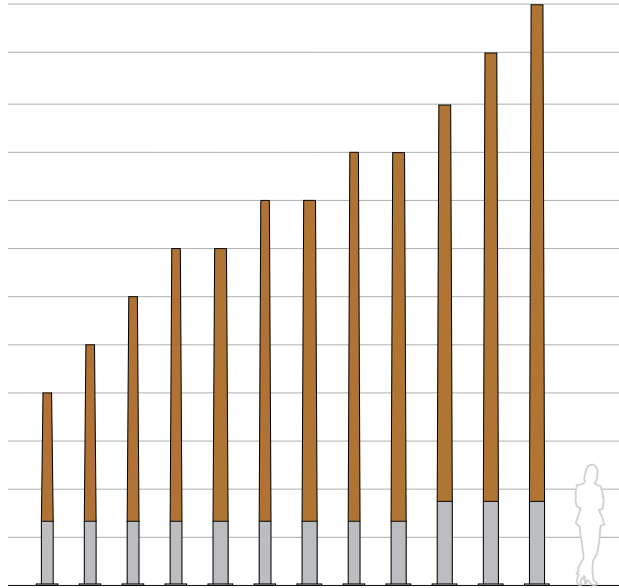


# Bol 8' – 24' Round Tapered and Straight Wood Poles

FIXTURE TYPE: \_\_\_\_\_

PROJECT NAME: \_\_\_\_\_



Round Taper

Glulam solid wood and aluminum pole available in 8' – 24' lengths. Tenon adapters, slip fitters and side bracket mounts are available for luminaire mounting.

## FEATURES:

- Round extruded aluminum pole base with flush handhole cover held with countersunk stainless steel fasteners.
- Tapered, round, solid glulam wood pole

## SPECIFICATIONS:

**HOUSING:** Solid wood pole is assembled through glulam construction and precision machined using CNC technology. An electrical raceway is provided in the pole's center for wiring. Laminations measure no more than 2" in thickness. Adhesive complies with ASTM D-2559 glulam construction specifications for extreme exposed weather conditions, is waterproof and rated for wet or dry use exposure.

Glulam wood shaft is fastened to aluminum pole base welded to a 3/4" thick aluminum anchor bolt base. Anchor bolt kit includes (4) 3/4" hot dip galvanized anchor bolts and fasteners and ridged concrete pour template.

**FIXTURE MOUNTING:** Fixtures mount either by 2 3/8", 2 7/8", 3 1/2", or 4" diameter by 4" tall tenon or drill mount for arm brackets. Consult factory for other tenon sizes. Luminaires shall be provided by others.

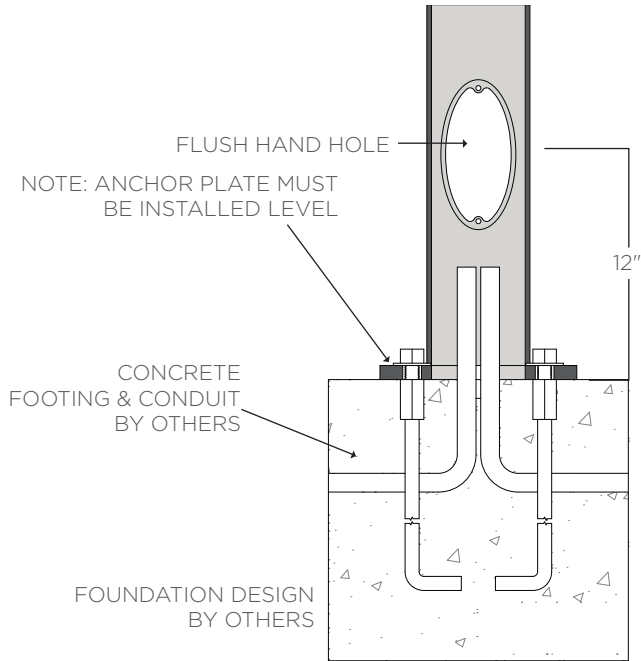


**ELECTRICAL:** A 5/16" – 18 grounding point is provided on the aluminum pole base. Wireway access is provided through a NEC compliant handhole with a flush, gasketed cover plate.

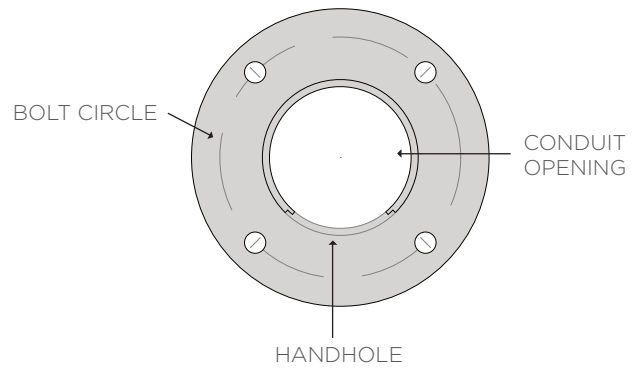
**FINISHES AND MATERIALS:** Woods are finished with a low VOC waterborne matte exterior finish containing UV and mildew inhibitors. All aluminum parts are polyester powder coat painted.

**HARDWARE:** Fasteners are stainless steel. Anchor bolt kits are hot dip galvanized.





	Bolt Circle	Conduit Opening
<b>5.5" Base</b>	8.5" dia.	5" dia.
<b>7.0" Base</b>	11" dia.	6.5" dia.



**ORDERING GUIDE:** EXAMPLE: BOL-5-12-55-55-S3-C6-T3124-STD

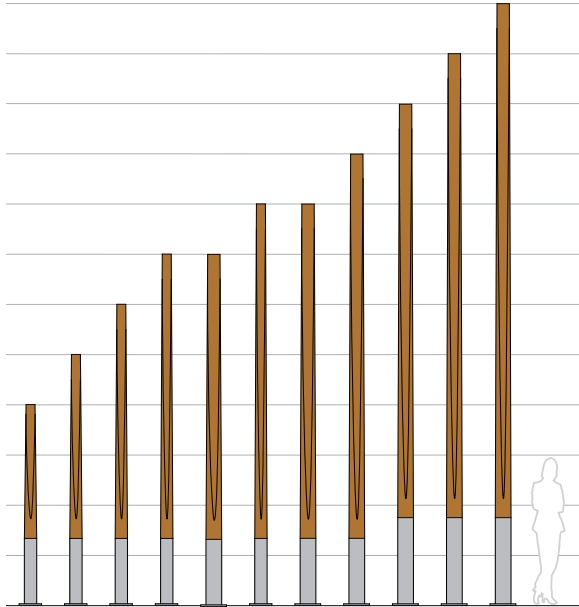


<b>1</b>	<b>Series</b>	<b>4</b>	<b>Base Diameter</b>	<b>8</b>	<b>Fixture Mounting</b>
<b>BOL</b>	Bol	<b>55</b>	5.5" - 20' Maximum Height	<b>Tenon</b>	
<b>2</b>	<b>Shaft Shape</b>	<b>70</b>	7.0" - 24' Maximum Height	<b>T2384</b>	2 3/8" x 4" Tenon
<b>T</b>	Round Tapered	<b>5</b>	<b>Top Diameter</b>	<b>T2784</b>	2 7/8" x 4" Tenon
<b>S</b>	Round Straight	<b>40</b>	4.0"	<b>T3124</b>	3 1/2" x 4" Tenon
<b>3</b>	<b>Height</b>	<b>55</b>	5.5"	<b>T4004</b>	4" x 4" Tenon
<b>8</b>	8'	<b>70</b>	7.0"	<b>TXXX</b>	Specify diameter and height
<b>10</b>	10'	<b>6</b>	<b>Wood Finish</b>	<b>Drill</b>	
<b>12</b>	12'	<b>S*</b>	See color options on finishes technical sheet	<b>D1</b>	1 @ 90deg
<b>14</b>	14'	<b>7</b>	<b>Metal Finish</b>	<b>D2</b>	2 @ 180deg
<b>16</b>	16'	<b>C*</b>	See color options on finishes technical sheet	<b>D3</b>	2 @ 90deg
<b>18</b>	18'	<b>CSM</b>	Custom Color	<b>D4</b>	3 @ 90deg
<b>20</b>	20'			<b>D5</b>	4 @ 90deg
<b>22</b>	22'			<b>9</b>	<b>Special</b>
<b>24</b>	24'			<b>STD</b>	Standard
				<b>MOD</b>	Modified

# Bol – RSQ 8' – 24' Round Tapered to Square Pole

FIXTURE TYPE: \_\_\_\_\_

PROJECT NAME: \_\_\_\_\_



Round Tapered to Square

Glulam solid wood and aluminum pole available in 8' – 24' lengths. Tenon adapters, slip fitters and side bracket mounts are available for luminaire mounting.

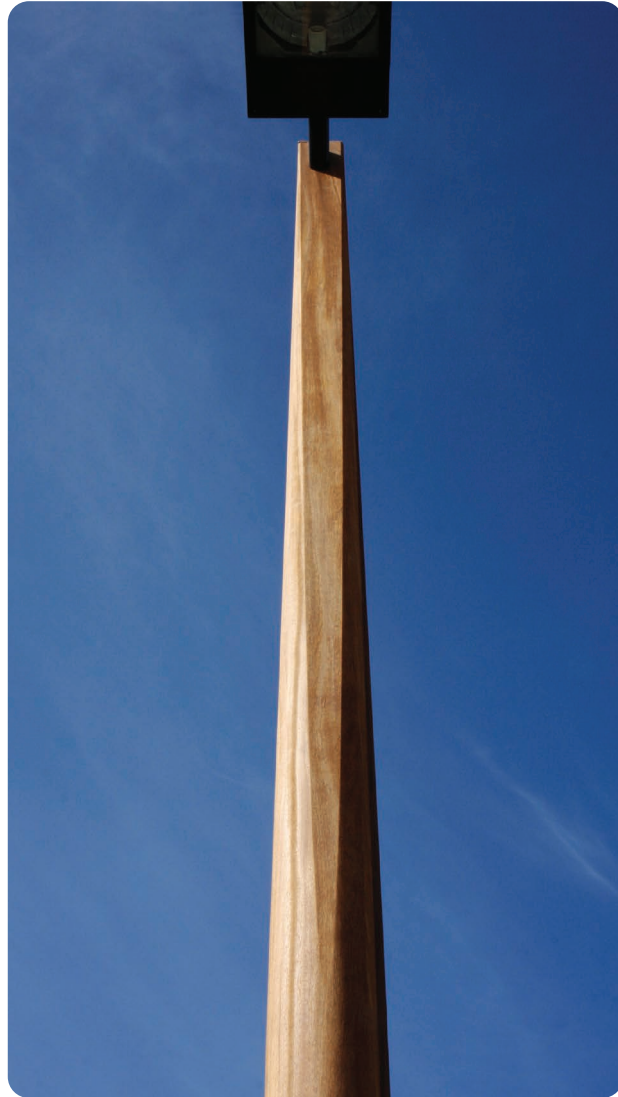
## FEATURES:

- Unique CNC machined, round cross section at the base tapering to square cross section at the pole's top.
- Solid glulam wood construction.
- Round extruded aluminum pole base with flush handhole cover held with countersunk stainless steel fasteners.

## SPECIFICATIONS:

**HOUSING:** Solid wood pole is assembled through glulam construction and precision machined using CNC technology. The pole's cross section begins round at the base and tapers to a square cross section at the top. An electrical raceway is provided in the pole's center for wiring. Laminations measure no more than 2" in thickness. Adhesive complies with ASTM D-2559 glulam construction specifications for extreme exposed weather conditions, is waterproof and rated for wet or dry use exposure.

Glulam wood shaft is fastened to aluminum pole base welded to a 3/4" thick aluminum anchor bolt base. Anchor bolt kit includes (4) 3/4" hot dip galvanized anchor bolts and fasteners and ridged concrete pour template.



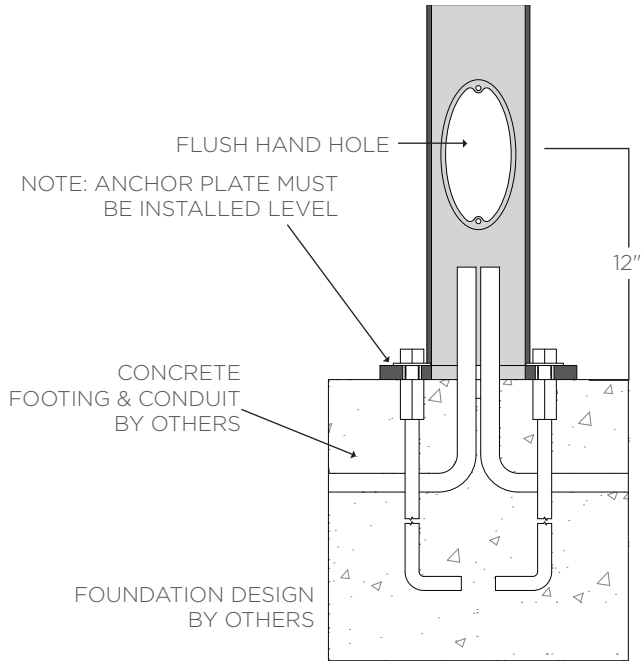
**FIXTURE MOUNTING:** Fixtures mount either by 2 3/8", 2 7/8", 3 1/2", or 4" diameter by 4" tall tenon or drill mount for arm brackets. Consult factory for other tenon sizes. Luminaires shall be provided by others.

**ELECTRICAL:** A 5/16" – 18 grounding point is provided on the aluminum pole base. Wireway access is provided through a NEC compliant handhole with a flush, gasketed cover plate.

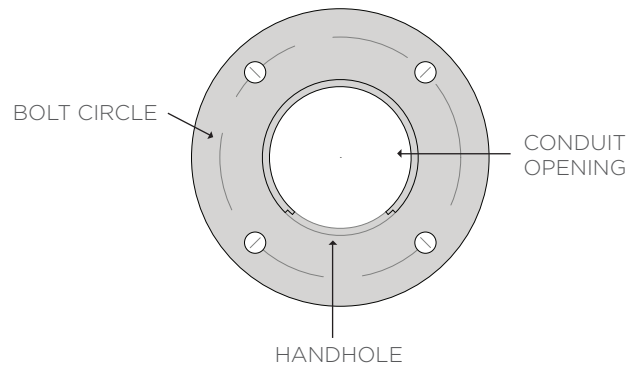
**FINISHES AND MATERIALS:** Woods are finished with a low VOC waterborne matte exterior finish containing UV and mildew inhibitors. All aluminum parts are polyester powder coat painted.

**HARDWARE:** Fasteners are stainless steel. Anchor bolt kits are hot dip galvanized.





	Bolt Circle	Conduit Opening
<b>5.5" Base</b>	8.5" dia.	5" dia.
<b>7.0" Base</b>	11" dia.	6.5" dia.



**ORDERING GUIDE:** EXAMPLE: BOL-RSQ-16-55-40-54-C7-D2-STD

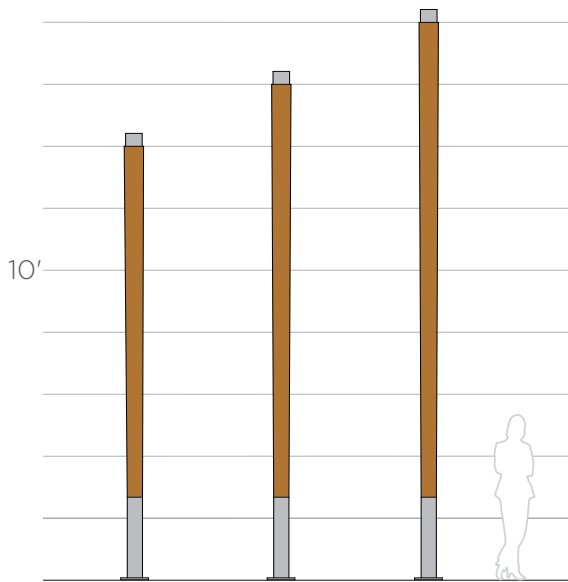


<b>1</b>	<b>Series</b>	<b>4</b>	<b>Base Diameter</b>	<b>8</b>	<b>Fixture Mounting</b>
<b>BOL</b>	Bol	<b>55</b>	5.5" - 16' Maximum Height	<b>Tenon</b>	
<b>2</b>	<b>Shaft Shape</b>	<b>70</b>	7.0" - 24' Maximum Height	<b>T2384</b>	2 3/8" x 4" Tenon
<b>RSQ</b>	Round Tapered to Square	<b>5</b>	<b>Top Width</b>	<b>T2784</b>	2 7/8" x 4" Tenon
<b>3</b>	<b>Height</b>	<b>40</b>	4.0"	<b>T3124</b>	3 1/2" x 4" Tenon
<b>8</b>	8'	<b>6</b>	<b>Wood Finish</b>	<b>T4004</b>	4" x 4" Tenon
<b>10</b>	10'	<b>S*</b>	See color options on finishes technical sheet	<b>TXXX</b>	Specify diameter and height
<b>12</b>	12'	<b>7</b>	<b>Metal Finish</b>	<b>Drill</b>	
<b>14</b>	14'	<b>C*</b>	See color options on finishes technical sheet	<b>D1</b>	1 @ 90deg
<b>16</b>	16'	<b>CSM</b>	Custom Color	<b>D2</b>	2 @ 180deg
<b>18</b>	18'			<b>D3</b>	2 @ 90deg
<b>20</b>	20'			<b>D4</b>	3 @ 90deg
<b>22</b>	22'			<b>D5</b>	4 @ 90deg
<b>24</b>	24'			<b>9</b>	<b>Special</b>
				<b>STD</b>	Standard
				<b>MOD</b>	Modified

# Bol – REV Custom Reverse Taper Pole

FIXTURE TYPE: \_\_\_\_\_

PROJECT NAME: \_\_\_\_\_



Glulam solid wood and aluminum pole available in custom lengths. Tenon adapters are available for luminaire mounting.

## FEATURES:

- Custom CNC machined reverse tapered round pole per project requirements.
- Standard and custom tenons available per luminaire and project requirements.
- Solid glulam wood construction.
- Round extruded aluminum pole base with flush handhole cover held with countersunk stainless steel fasteners.

## SPECIFICATIONS:

**HOUSING:** Solid wood pole is assembled through glulam construction and precision machined using CNC technology. Reverse taper is provided per project requirements. Consult factory for options. An electrical raceway is provided in the pole's center for wiring. Laminations measure no more than 2" in thickness. Adhesive complies with ASTM D-2559 glulam construction specifications for extreme exposed weather conditions, is waterproof and rated for wet or dry use exposure.

Glulam wood shaft is fastened to aluminum pole base welded to a 3/4" thick aluminum anchor bolt base. Anchor bolt kit includes (4) 3/4" hot dip galvanized anchor bolts and fasteners and ridged concrete pour template.



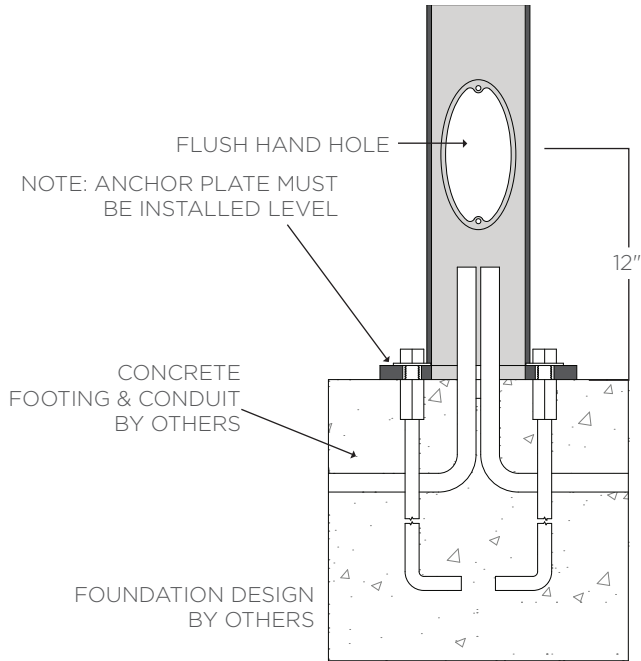
**FIXTURE MOUNTING:** Fixtures mount by tenon adapters. Consult factory for tenon sizes per project luminaire requirements. Luminaires shall be provided by others.

**ELECTRICAL:** A 5/16" – 18 grounding point is provided on the aluminum pole base. Wireway access is provided through a NEC compliant handhole with a flush, gasketed cover plate.

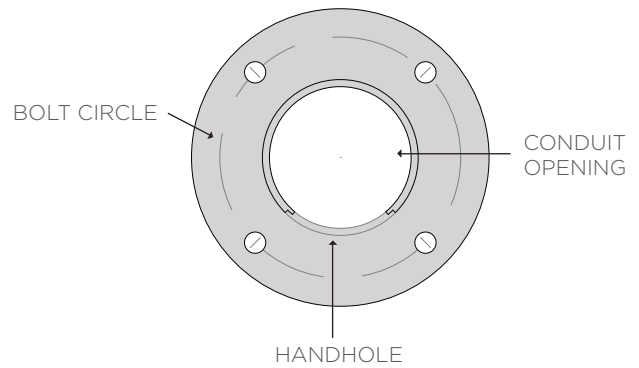
**FINISHES AND MATERIALS:** Woods are finished with a low VOC waterborne matte exterior finish containing UV and mildew inhibitors. All aluminum parts are polyester powder coat painted.

**HARDWARE:** Fasteners are stainless steel. Anchor bolt kits are hot dip galvanized.





	Bolt Circle	Conduit Opening
<b>5.5" Base</b>	8.5" dia.	5" dia.
<b>7.0" Base</b>	11" dia.	6.5" dia.



**ORDERING GUIDE:** EXAMPLE: BOL-REV-12-55-60-55-C5-T4004-STD



<b>1</b>	<b>Series</b>
<b>BOL</b>	Bol
<b>2</b>	<b>Shaft Shape</b>
<b>REV</b>	Custom Reverse Round Taper
<b>3</b>	<b>Height</b>
<b>XX</b>	Specific Height in Feet (consult factory)

<b>4</b>	<b>Base Diameter</b>
<b>55</b>	5.5"
<b>5</b>	<b>Top Diameter</b>
<b>XX</b>	Specify in inches
<b>6</b>	<b>Wood Finish</b>
<b>S*</b>	See color options on finishes technical sheet

<b>7</b>	<b>Metal Finish</b>
<b>C*</b>	See color options on finishes technical sheet
<b>CSM</b>	Custom Color
<b>8</b>	<b>Fixture Mounting</b>
<b>TXXX</b>	Specify tenon, diameter and height in inches
<b>9</b>	<b>Special</b>
<b>STD</b>	Standard
<b>MOD</b>	Modified