

Reed 12' - 40' Steel Pole Cluster

FIXTURE TYPE: _____

PROJECT NAME: _____



Formed steel pole arrangement

FEATURES:

- High allowable EPA allowing large quantity of fixture mounting
- Specify individually or as a cluster
- Tilted and bent variations
- Customizable luminaire mounts and locations

SPECIFICATIONS:

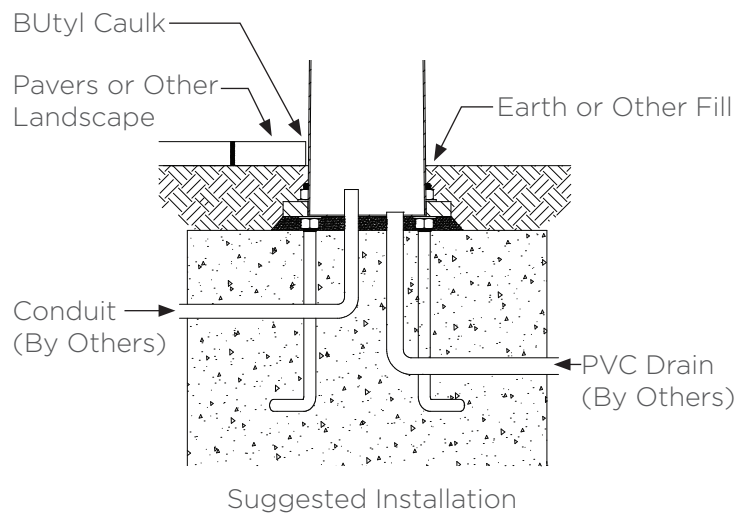
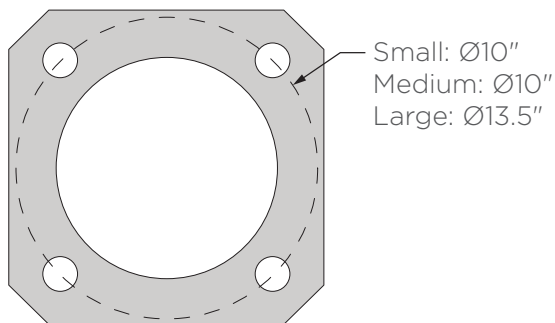
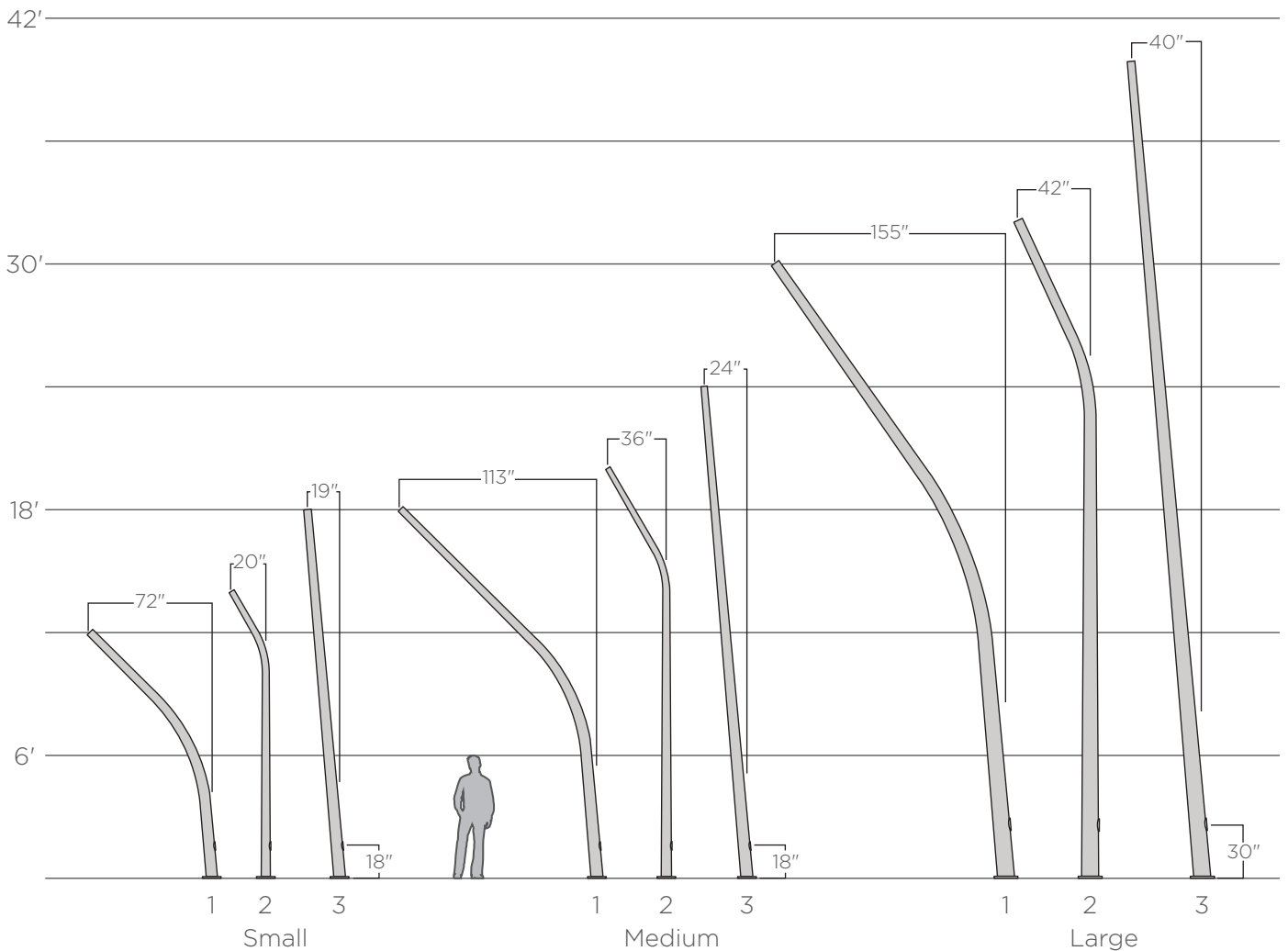
CONSTRUCTION: Steel shaft constructed of rolled galvanized steel.

FINISHES AND MATERIALS: All galvanized poles are polyester powder coat painted. Rust appearance powdercoat option is available.

HARDWARE: Anchor bolt kits are hot dipped galvanized steel.

FIXTURE MOUNTING: Fixtures mount to specified tenon or with the use of threaded inserts. Standard tenons are 2-3/8" OD by 6" long. Consult factory for additional options.



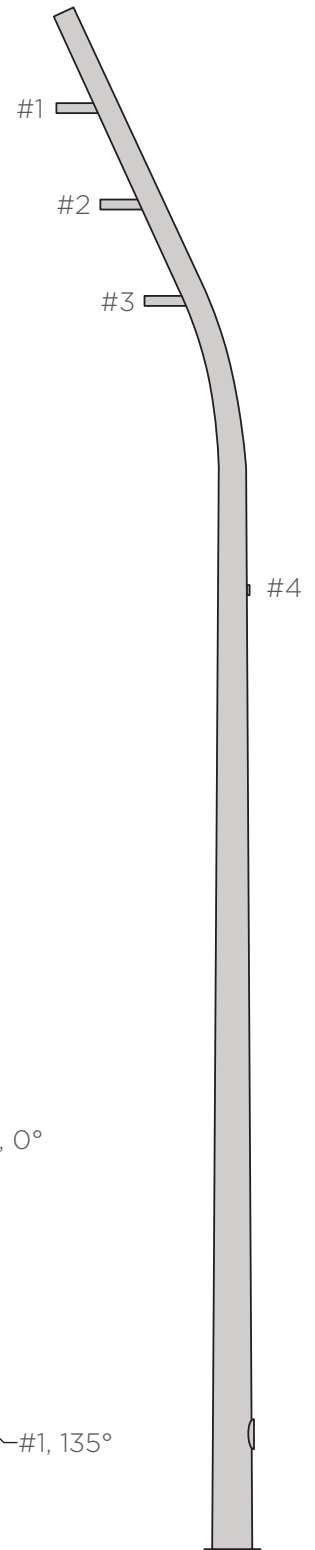


HOW TO ORDER

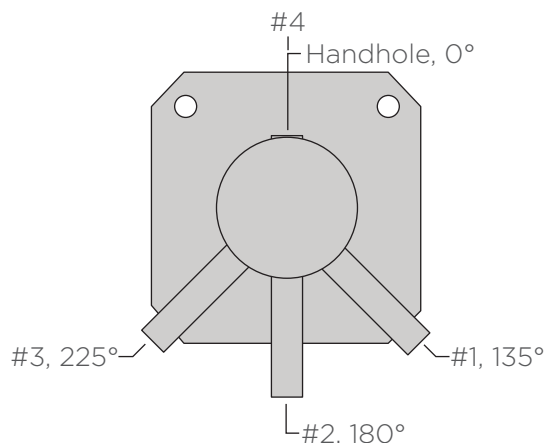
HOW TO ORDER:

Follow these steps below to order. Number designations match those found in the Ordering Guide.

1. Specify the product series.
2. Specify pole number.
3. Choose a powdercoat paint finish for pole finish. Custom colors are available. Indicate RAL color with the order or provide a paint chip for color match.
4. Specify number of fixture to mount to the pole.
5. Indicate "MOD" if the order requires any special mounting, electrical requirements, dimensions, custom finishes or other deviations from the product specification.
6. Use the table to indicate fixture height, angle, and mounting. Angles available in 45° increments clockwise from the handhole at 0°.



Catalog Number			
REED-L-2-ALU-4-STD			
Fixture	Height	Angle	Mounting
#1	30'	135°	2-3/8" Tenon
#2	28'	180°	2-3/8" Tenon
#3	26'	225°	2-3/8" Tenon
#4	20'	0°	Threaded Insert
#5			
#6			



FIXTURE TYPE: _____

PROJECT NAME: _____

ORDERING GUIDE: EXAMPLE: REED-L-2-C2-4-STD

REED					
1	2	3	4	5	6

1	Series	3	Pole S/M/L	5	Fixture Quantity
REED	Reed	1	12/18/30'	1	1
2	Size	2	14/20/32'	2	2
S	Small	3	18/24/40'	3	3
M	Medium	4	Pole Finish	4	4
L	Large	C*	Galvanized Steel	X	Specify
			See color options on finishes technical sheet	6	Special
				STD	Standard
				MOD	Modified

Catalog Number			
Fixture	Height	Angle	Mounting
#1			
#2			
#3			
#4			
#5			
#6			

