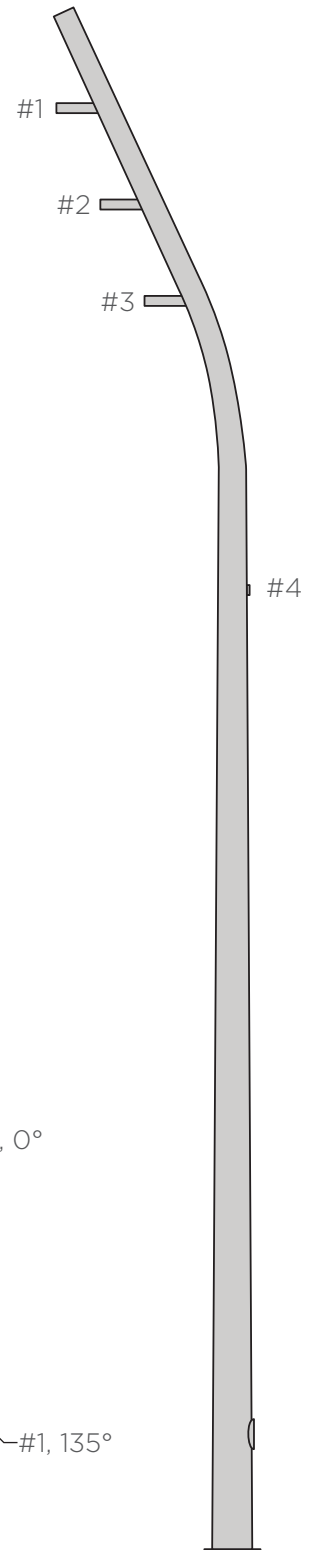


HOW TO ORDER

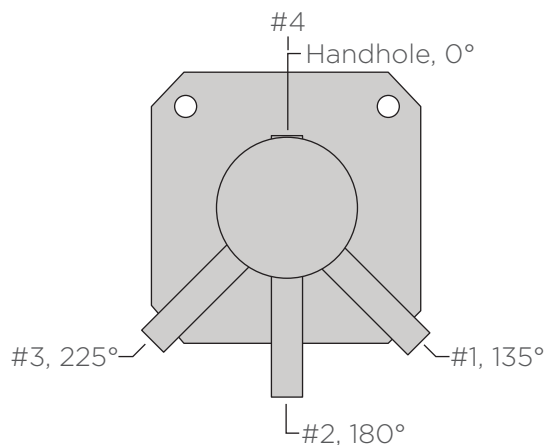
HOW TO ORDER:

Follow these steps below to order. Number designations match those found in the Ordering Guide.

1. Specify the product series.
2. Specify pole number.
3. Choose a powdercoat paint finish for pole finish. Custom colors are available. Indicate RAL color with the order or provide a paint chip for color match.
4. Specify number of fixture to mount to the pole.
5. Indicate "MOD" if the order requires any special mounting, electrical requirements, dimensions, custom finishes or other deviations from the product specification.
6. Use the table to indicate fixture height, angle, and mounting. Angles available in 45° increments clockwise from the handhole at 0°.



Catalog Number			
REED-L-2-ALU-4-STD			
Fixture	Height	Angle	Mounting
#1	30'	135°	2-3/8" Tenon
#2	28'	180°	2-3/8" Tenon
#3	26'	225°	2-3/8" Tenon
#4	20'	0°	Threaded Insert
#5			
#6			



FIXTURE TYPE: _____

PROJECT NAME: _____

ORDERING GUIDE: EXAMPLE: REED-L-2-C2-4-STD

REED					
1	2	3	4	5	6

1	Series	3	Pole S/M/L	5	Fixture Quantity
REED	Reed	1	12/18/30'	1	1
2	Size	2	14/20/32'	2	2
S	Small	3	18/24/40'	3	3
M	Medium	4	Pole Finish	4	4
L	Large	C*	Galvanized Steel	X	Specify
			See color options on finishes technical sheet	6	Special
				STD	Standard
				MOD	Modified

Catalog Number			
Fixture	Height	Angle	Mounting
REED-	-	-	-
#1			
#2			
#3			
#4			
#5			
#6			

