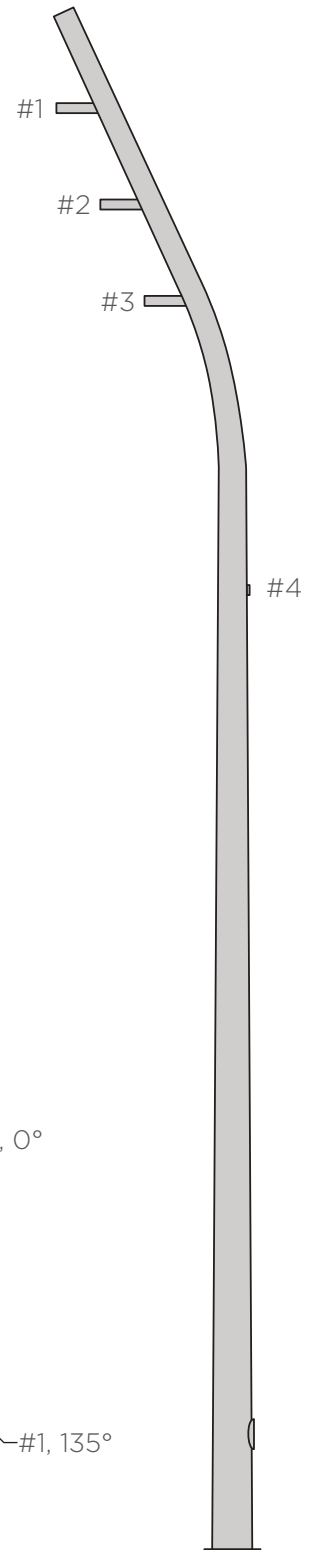


HOW TO ORDER

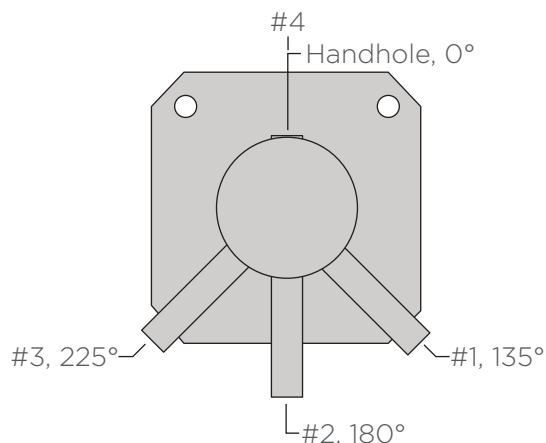
HOW TO ORDER:

Follow these steps below to order. Number designations match those found in the Ordering Guide.

1. Specify the product series.
2. Specify pole number.
3. Choose a powdercoat paint finish or weathered steel for pole finish. Custom colors are available. Indicate RAL color with the order or provide a paint chip for color match.
4. Specify number of fixture to mount to the pole.
5. Indicate "MOD" if the order requires any special mounting, electrical requirements, dimensions, custom finishes or other deviations from the product specification.
6. Use the table to indicate fixture height, angle, and mounting. Angles available in 45° increments clockwise from the handhole at 0°.



Catalog Number			
REED-L-2-ALU-4-STD			
Fixture	Height	Angle	Mounting
#1	30'	135°	2-3/8" Tenon
#2	28'	180°	2-3/8" Tenon
#3	26'	225°	2-3/8" Tenon
#4	20'	0°	Threaded Insert
#5			
#6			



FIXTURE TYPE: _____

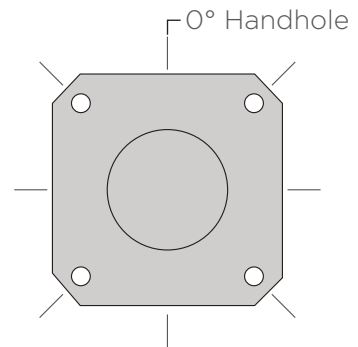
PROJECT NAME: _____

ORDERING GUIDE: EXAMPLE: REED-L-2-ALU-4-STD

REED					
1	2	3	4	5	6

1 REED 2 S M L	Series Reed Size Small Medium Large	3 1 2 3 4 **** WS	Pole S/M/L 12/18/30' 14/20/32' 18/24/40' Pole Finish Galvanized Steel See color options on finishes technical sheet Weathering Steel ⁽¹⁾	5 1 2 3 4 X 6 STD MOD	Fixture Quantity 1 2 3 4 Specify Special Standard Modified
---	--	---	---	--	--

Catalog Number			
Fixture	Height	Angle	Mounting
REED-	-	-	-
#1			
#2			
#3			
#4			
#5			
#6			



1. Weathering steel finish option available only with large pole set.